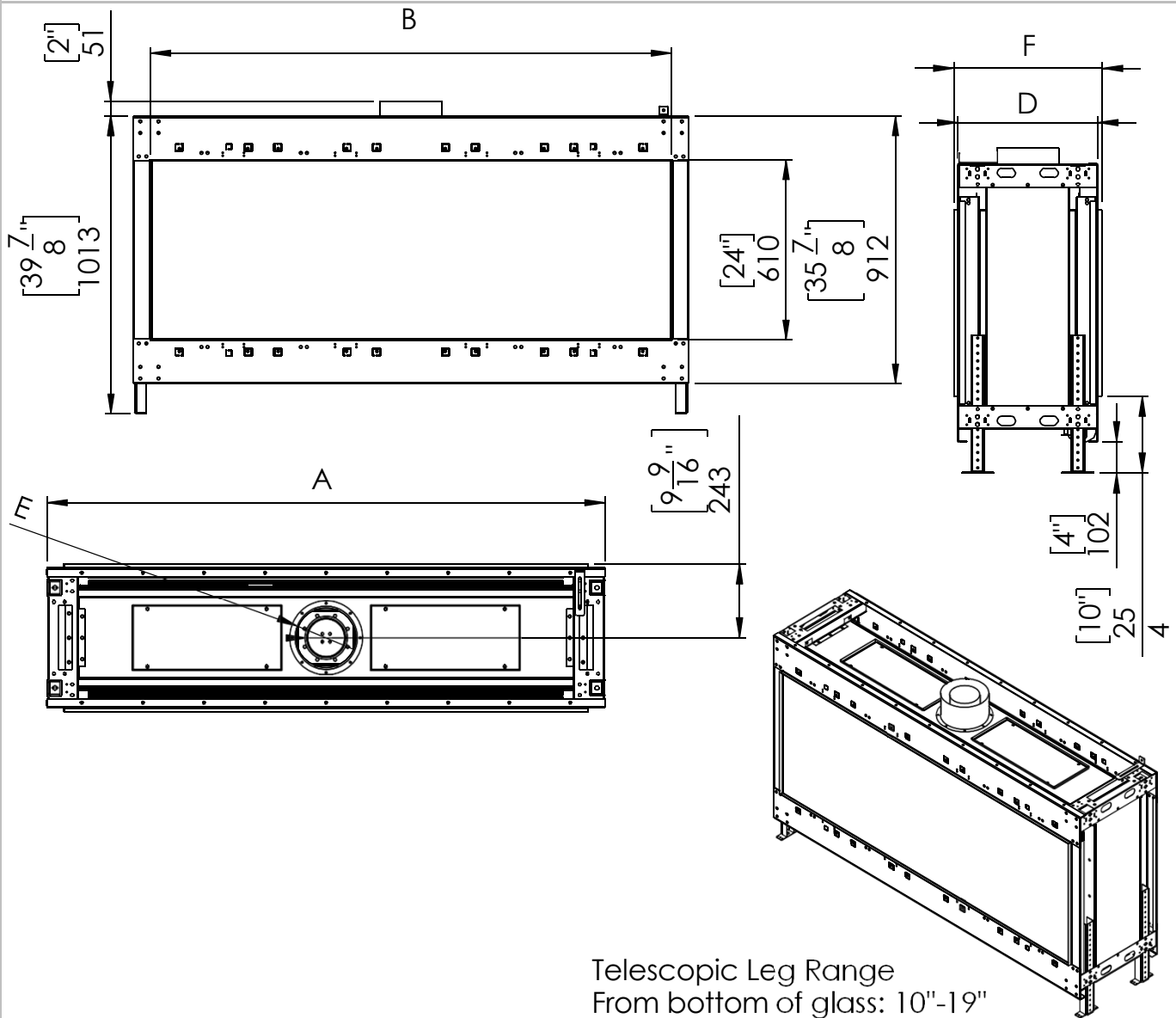




# Flare See Through Metal Frame High Glass Commercial

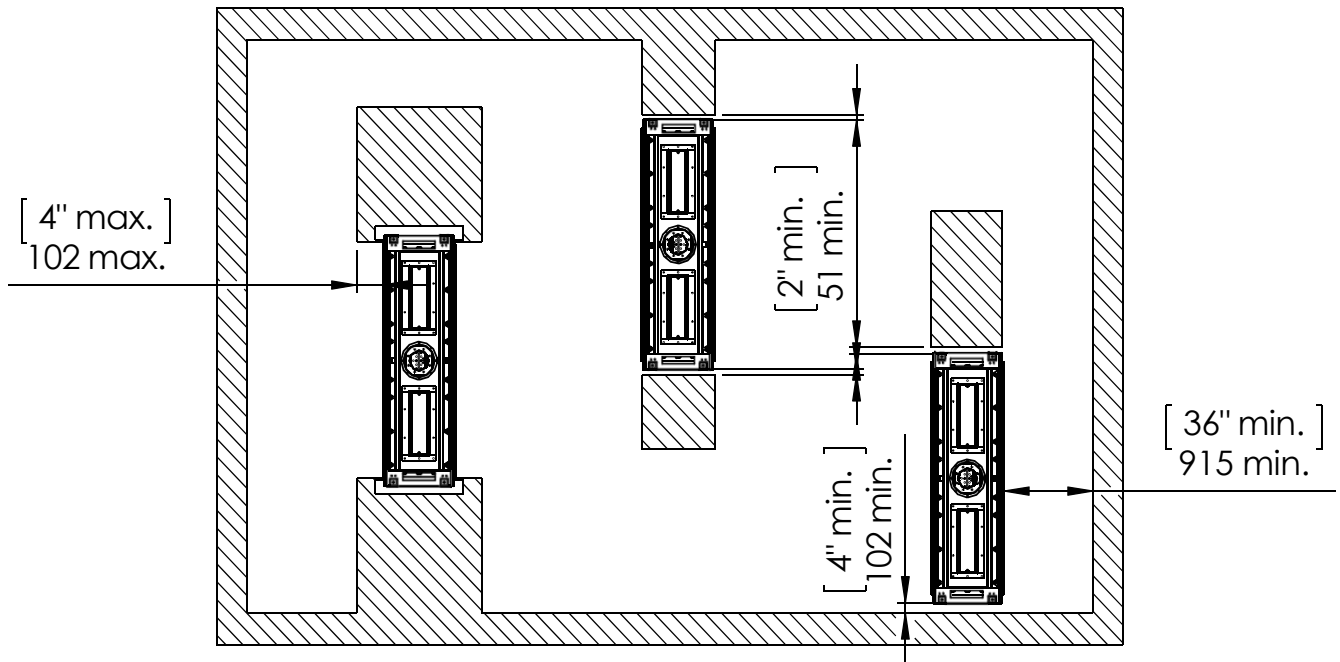
Rev 4

## Fireplace Dimensions



Model	30	45	50	60	70	80	100
A- Inch	$32\frac{10}{16}$	$45\frac{13}{16}$	$52\frac{8}{16}$	$62\frac{5}{16}$	$72\frac{3}{16}$	$84\frac{12}{16}$	$101\frac{11}{16}$
B- Inch	$28\frac{5}{16}$	$41\frac{4}{16}$	$47\frac{15}{16}$	$57\frac{13}{16}$	$67\frac{10}{16}$	$80\frac{4}{16}$	$97\frac{3}{16}$
F- Inch	$20\frac{4}{16}$	$20\frac{4}{16}$	$20\frac{4}{16}$	$20\frac{4}{16}$	$20\frac{4}{16}$	$20\frac{4}{16}$	$20\frac{4}{16}$
D- Inch	$19\frac{4}{16}$	$19\frac{4}{16}$	$19\frac{4}{16}$	$19\frac{4}{16}$	$19\frac{4}{16}$	$19\frac{4}{16}$	$19\frac{4}{16}$
E- Inch	4x6	4x6	5x8	5x8	5x8	5x8	5x8

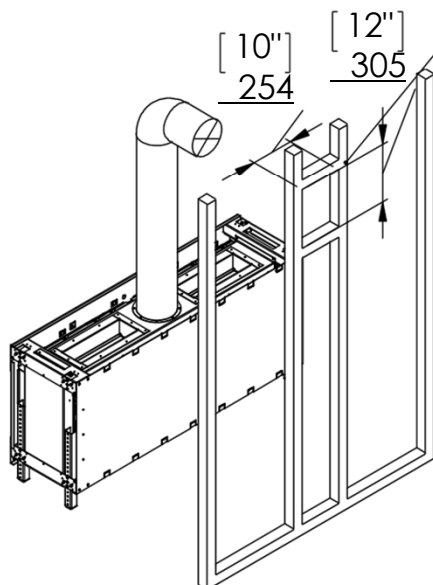
Clearances below are to non-combustible materials.



## Chimney Installation

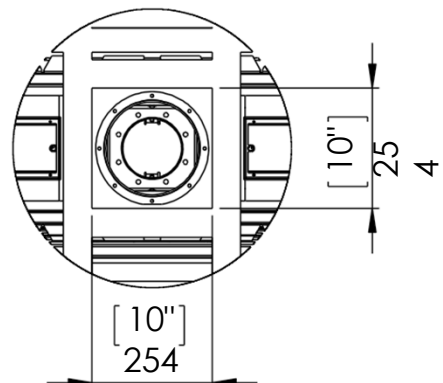
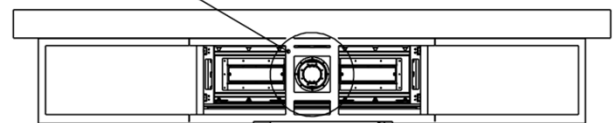
### Horizontal Termination

For 5 x 8 vent size create 10" x 12" vent termination opening

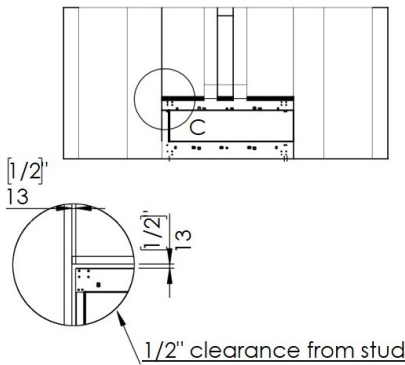
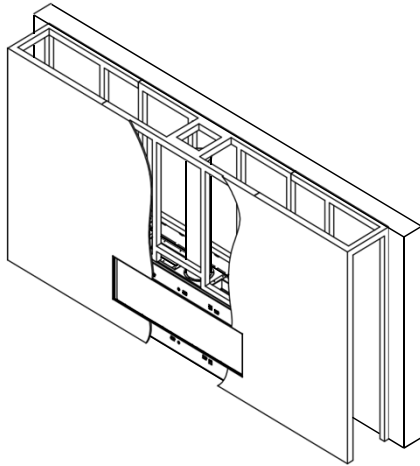


### Vertical Termination

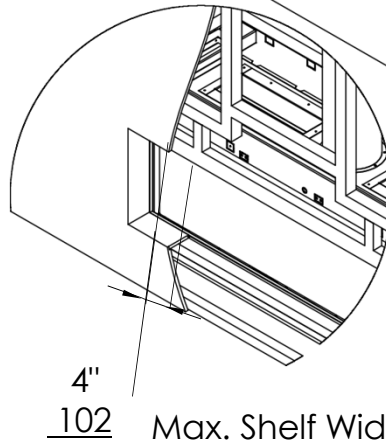
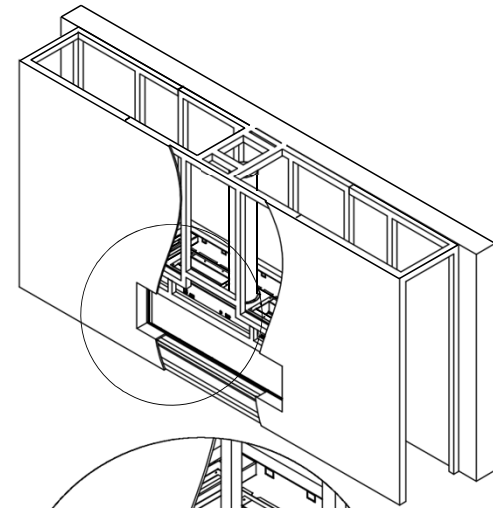
For 5 x 8 vent size create 10" x 10" vent termination opening



## Flat Installation Example



## L Shape Installation Example



## Heat Release and Air Intakes

### The following sizes MUST be maintained for the upper heat release:

For fireplaces sized **80" & 100"** – open vent area must be at least **200 square inches**.

For fireplaces sized **60" & 70"** – open vent area must be at least **140 square inches**.

For fireplace sized **50"** and below – open vent area must be at least **100 square inches**.

### The following sizes MUST be maintained for the lower air intake:

For fireplaces sized **80" & 100"** – open vent area must be at least **100 square inches**.

For fireplaces sized **60" & 70"** – open vent area must be at least **70 square inches**.

For fireplaces sized **50"** and below – open vent area must be at least **50 square inches**.

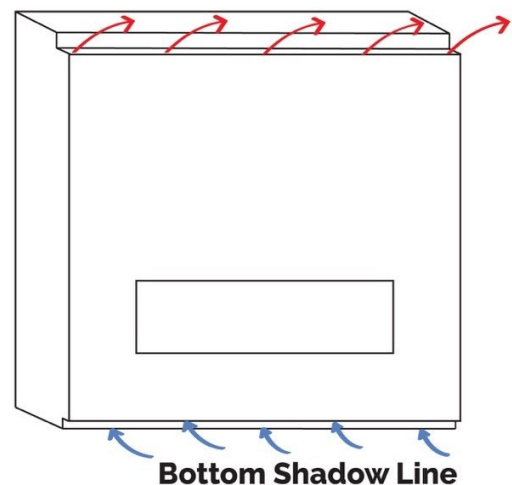
For See Through and Room Definer fireplaces, the air intake requirements are **double**.

**NOTE: Openings above for Heat Release and Air Intake are measured for open air space. BE SURE TO CALCULATE FOR RESTRICTIONS IN GRATING.**

**NOTE: On all See Through and Room Definer units the air intake must be doubled**

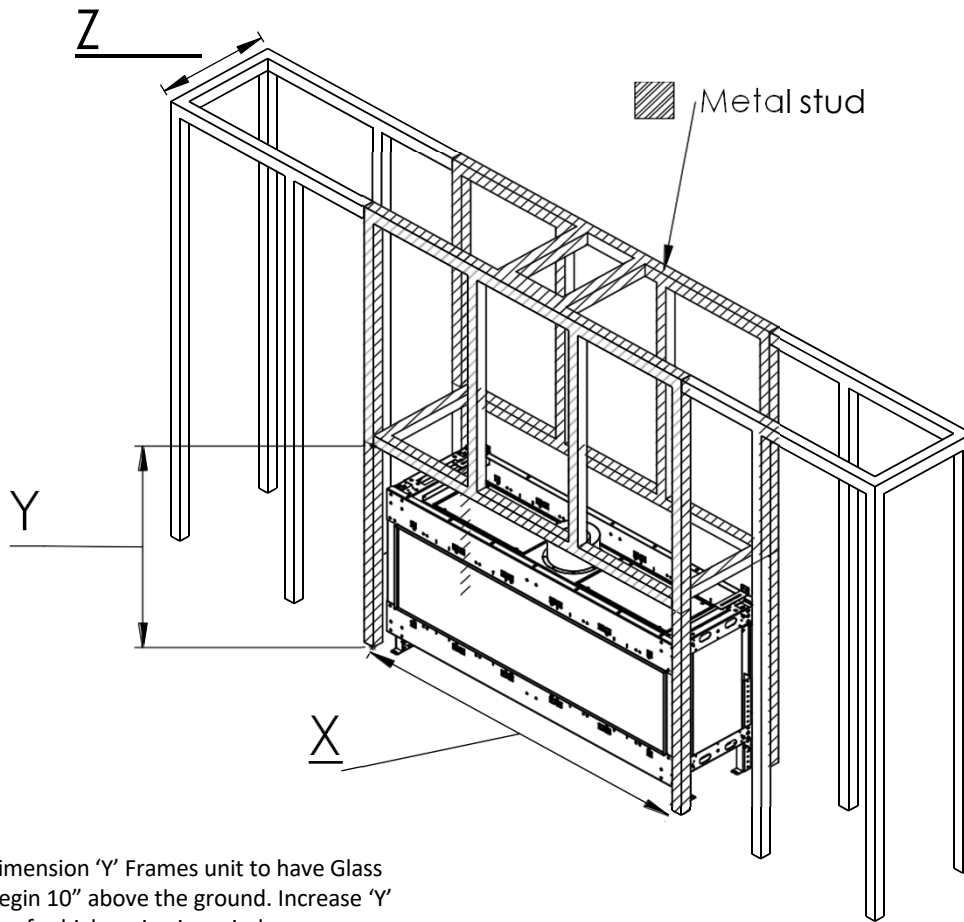
Air Intakes required for Double Glass or Optional Blower kits ONLY.

### Top Shadow Line



### Bottom Shadow Line

# Metal Framing Dimensions



NOTE: Dimension 'Y' Frames unit to have Glass Height begin 10" above the ground. Increase 'Y' Dimension for higher viewing window.

		X	Y	Z	
				Flat Installation	Recess Installation ( 4" Max)
30	Inch	33 <sup>10</sup> / <sub>16</sub>	40 <sup>6</sup> / <sub>16</sub>	21 <sup>4</sup> / <sub>16</sub>	25 <sup>4</sup> / <sub>16</sub>
	mm	844	1026	540	641
45	Inch	46 <sup>13</sup> / <sub>16</sub>	40 <sup>6</sup> / <sub>16</sub>	21 <sup>4</sup> / <sub>16</sub>	25 <sup>4</sup> / <sub>16</sub>
	mm	1175	1026	540	641
50	Inch	53 <sup>8</sup> / <sub>16</sub>	40 <sup>6</sup> / <sub>16</sub>	21 <sup>4</sup> / <sub>16</sub>	25 <sup>4</sup> / <sub>16</sub>
	mm	1359	1026	540	641
60	Inch	63 <sup>5</sup> / <sub>16</sub>	40 <sup>6</sup> / <sub>16</sub>	21 <sup>4</sup> / <sub>16</sub>	25 <sup>4</sup> / <sub>16</sub>
	mm	1608	1026	540	641
70	Inch	73 <sup>3</sup> / <sub>16</sub>	40 <sup>6</sup> / <sub>16</sub>	21 <sup>4</sup> / <sub>16</sub>	25 <sup>4</sup> / <sub>16</sub>
	mm	1859	1026	540	641
80	Inch	85 <sup>12</sup> / <sub>16</sub>	40 <sup>6</sup> / <sub>16</sub>	21 <sup>4</sup> / <sub>16</sub>	25 <sup>4</sup> / <sub>16</sub>
	mm	2178	1026	540	641
100	Inch	102 <sup>11</sup> / <sub>16</sub>	40 <sup>6</sup> / <sub>16</sub>	21 <sup>4</sup> / <sub>16</sub>	25 <sup>4</sup> / <sub>16</sub>
	mm	2608	1026	540	641