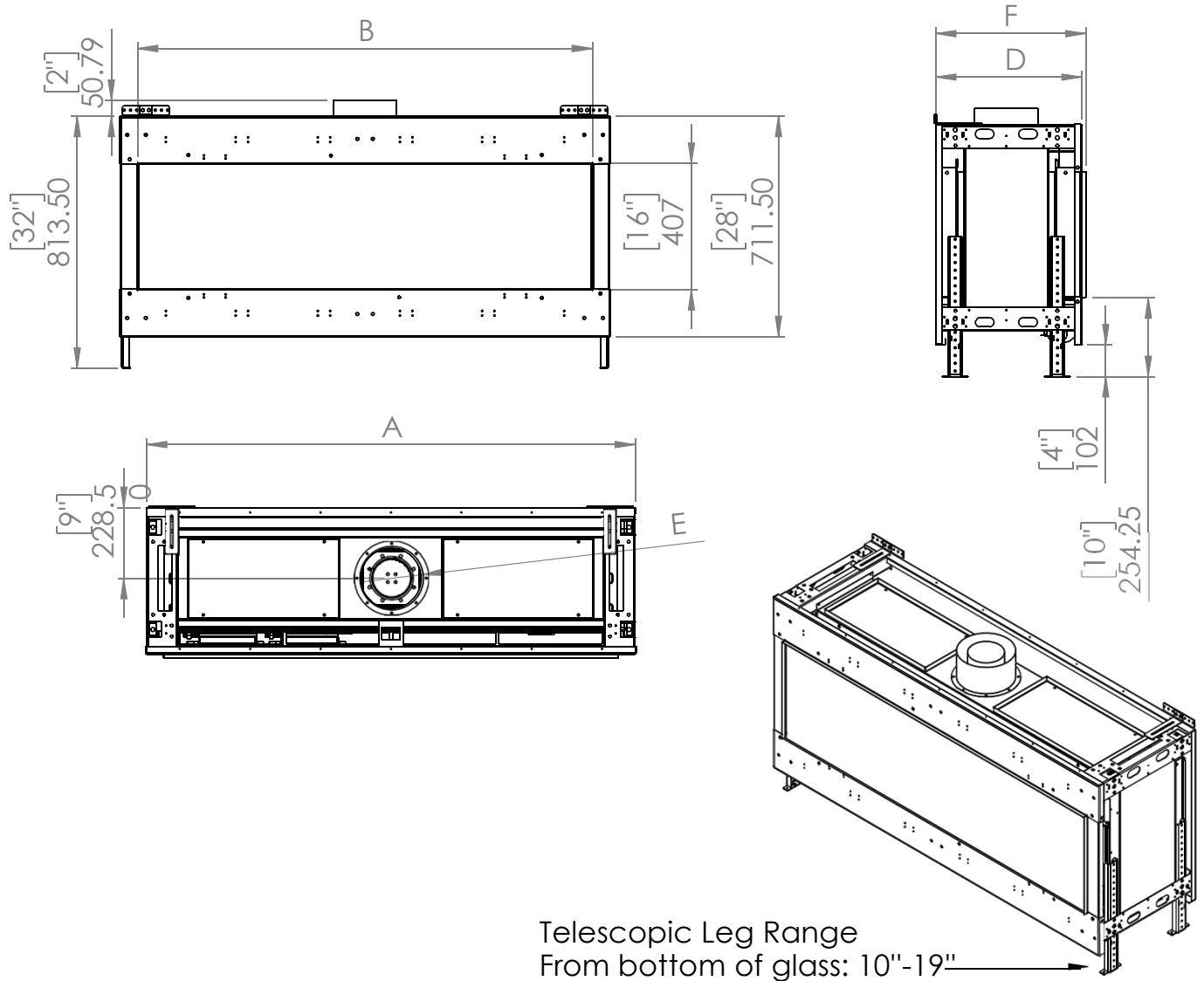


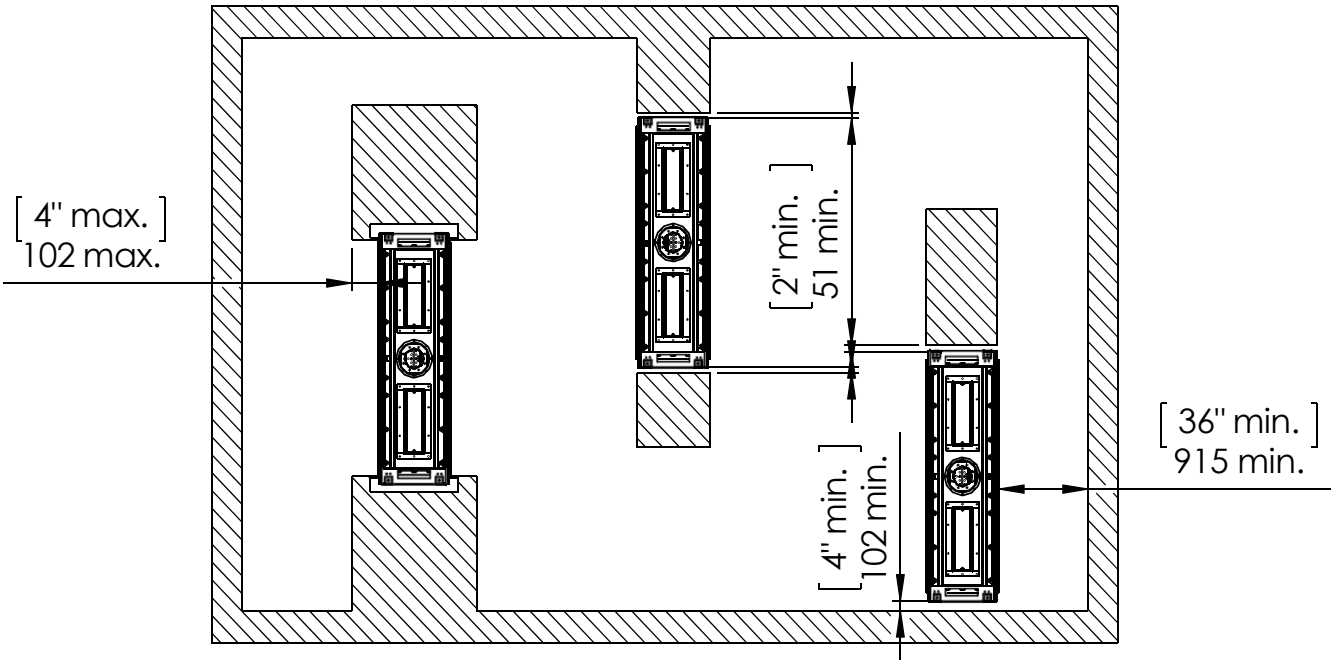
Fireplace Dimensions



Telescopic Leg Range
From bottom of glass: 10"-19"

Model	45	50	60	70	80	100
A- Inch	45 ¹³ / ₁₆	52 ⁸ / ₁₆	62 ⁵ / ₁₆	72 ³ / ₁₆	84 ¹² / ₁₆	101 ¹¹ / ₁₆
B- Inch	41 ⁴ / ₁₆	47 ¹⁵ / ₁₆	57 ¹³ / ₁₆	67 ¹⁰ / ₁₆	80 ⁴ / ₁₆	97 ³ / ₁₆
F- Inch	20 ⁴ / ₁₆	20 ⁴ / ₁₆	20 ⁴ / ₁₆	20 ⁴ / ₁₆	20 ⁴ / ₁₆	20 ⁴ / ₁₆
D- Inch	19 ⁴ / ₁₆	19 ⁴ / ₁₆	19 ⁴ / ₁₆	19 ⁴ / ₁₆	19 ⁴ / ₁₆	19 ⁴ / ₁₆
E- Inch	4x6	5x8	5x8	5x8	5x8	5x8

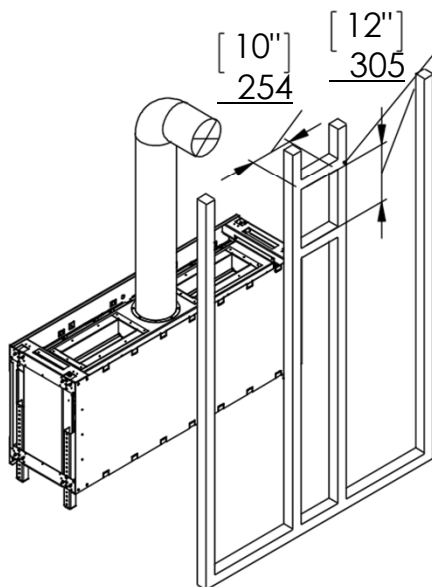
Clearances below are to non-combustible materials.



Chimney Installation

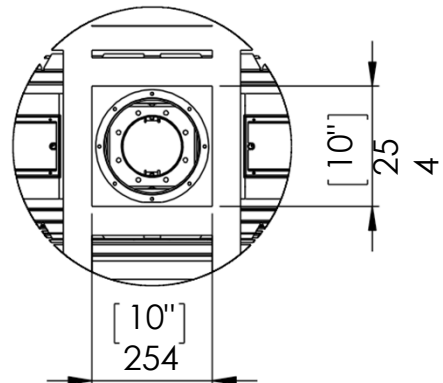
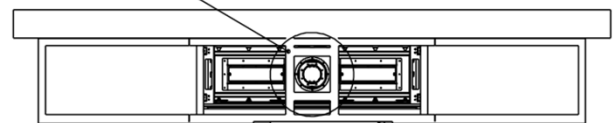
Horizontal Termination

For 5 x 8 vent size create 10" x 12" vent termination opening

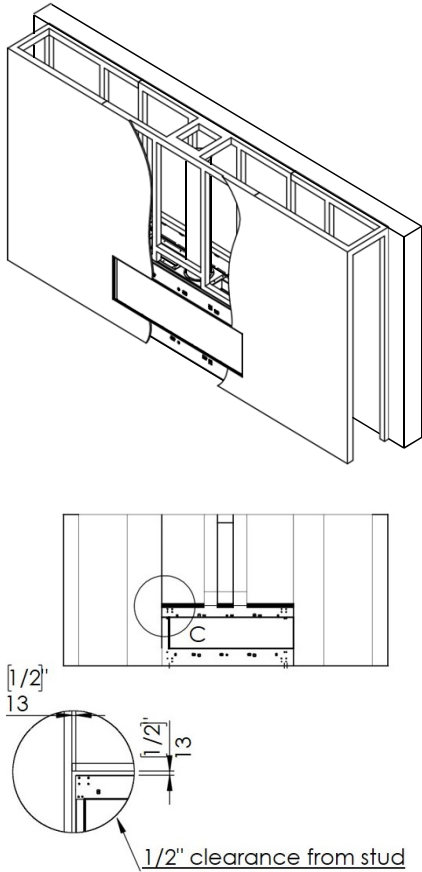


Vertical Termination

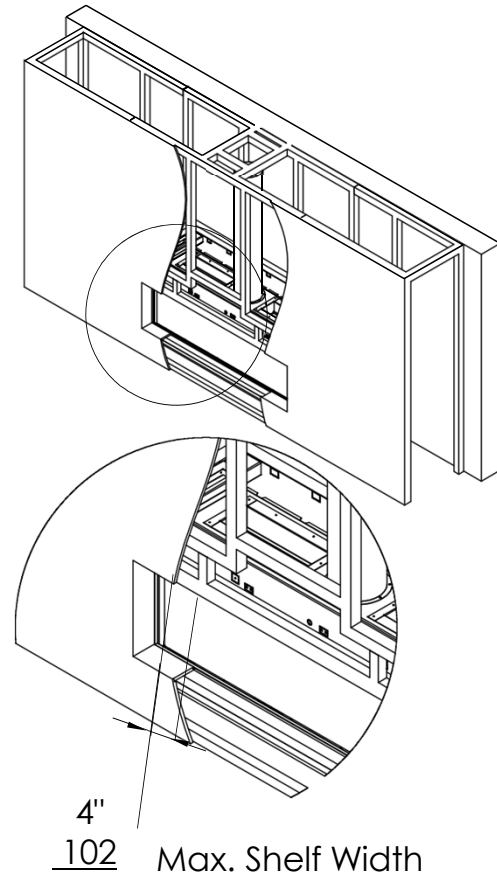
For 5 x 8 vent size create 10" x 10" vent termination opening



Flat Installation Example



L Shape Installation Example



Heat Release and Air Intakes

The following sizes MUST be maintained for the upper heat release:

For fireplaces sized **80" & 100"** – open vent area must be at least **200 square inches**.

For fireplaces sized **60" & 70"** – open vent area must be at least **140 square inches**.

For fireplace sized **50"** and below – open vent area must be at least **100 square inches**.

The following sizes MUST be maintained for the lower air intake:

For fireplaces sized **80" & 100"** – open vent area must be at least **100 square inches**.

For fireplaces sized **60" & 70"** – open vent area must be at least **70 square inches**.

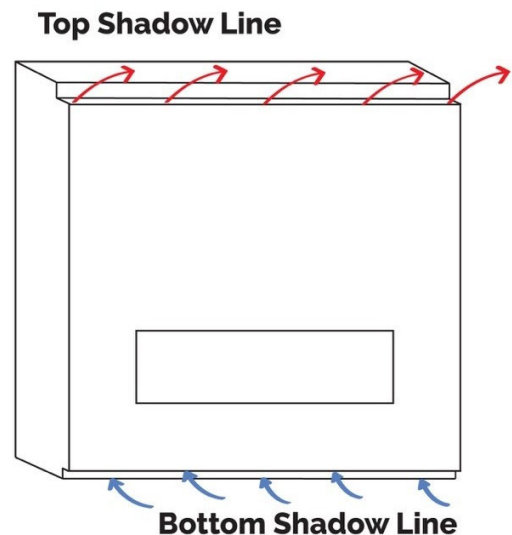
For fireplaces sized **50"** and below – open vent area must be at least **50 square inches**.

For See Through and Room Definer fireplaces, the air intake requirements are **double**.

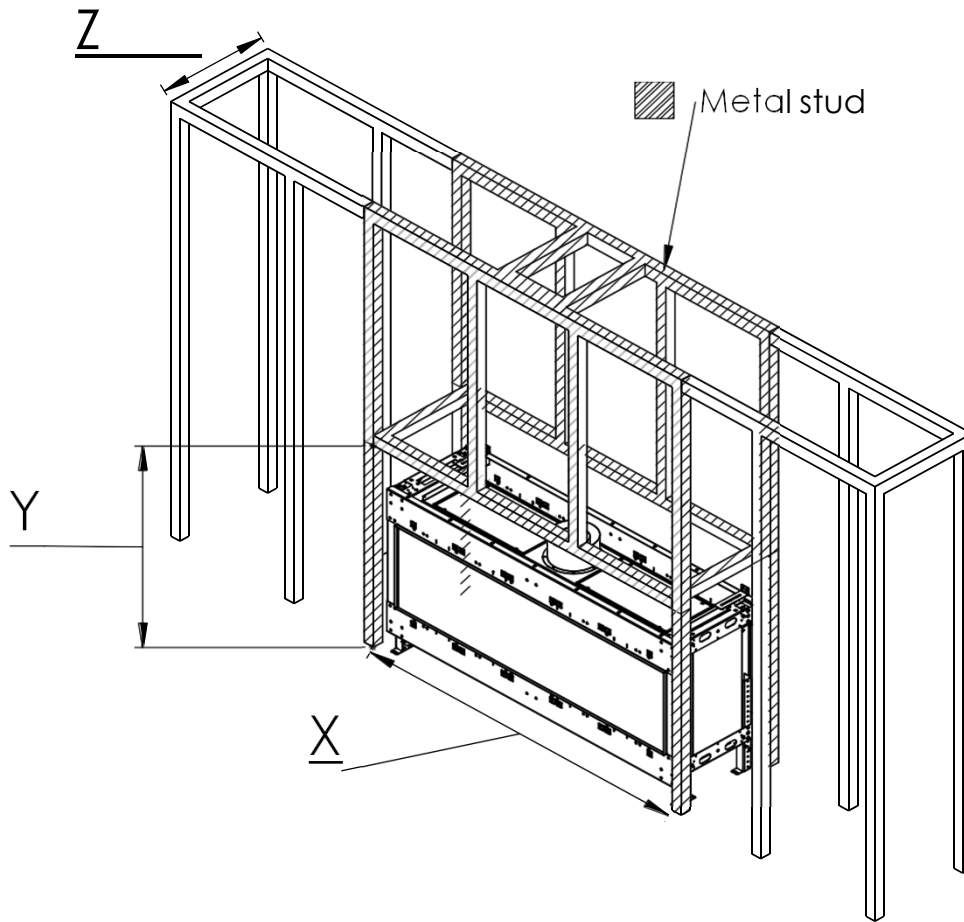
NOTE: Openings above for Heat Release and Air Intake are measured for open air space. BE SURE TO CALCULATE FOR RESTRICTIONS IN GRATING.

NOTE: On all See Through and Room Definer units the air intake must be doubled

Air Intakes required for Double Glass or Optional Blower kits ONLY.



Metal Framing Dimensions



NOTE: Dimension 'Y' uses legs at default lowest height 4" below the unit with glass beginning 10" above the floor. Increase leg height and Y dimension for higher viewing window.

		X	Y	Z	
				Flat Installation	Recess Installation (4" Max)
45	Inch	46 ¹³ / ₁₆	32 ⁸ / ₁₆	22 ⁴ / ₁₆	26 ⁴ / ₁₆
	mm	1175	826	565	667
50	Inch	53 ⁸ / ₁₆	32 ⁸ / ₁₆	22 ⁴ / ₁₆	26 ⁴ / ₁₆
	mm	1359	826	565	667
60	Inch	63 ⁵ / ₁₆	32 ⁸ / ₁₆	22 ⁴ / ₁₆	26 ⁴ / ₁₆
	mm	1608	826	565	667
70	Inch	73 ³ / ₁₆	32 ⁸ / ₁₆	22 ⁴ / ₁₆	26 ⁴ / ₁₆
	mm	1859	826	565	667
80	Inch	85 ¹² / ₁₆	32 ⁸ / ₁₆	22 ⁴ / ₁₆	26 ⁴ / ₁₆
	mm	2178	826	565	667
100	Inch	102 ¹¹ / ₁₆	32 ⁸ / ₁₆	22 ⁴ / ₁₆	26 ⁴ / ₁₆
	mm	2608	826	565	667