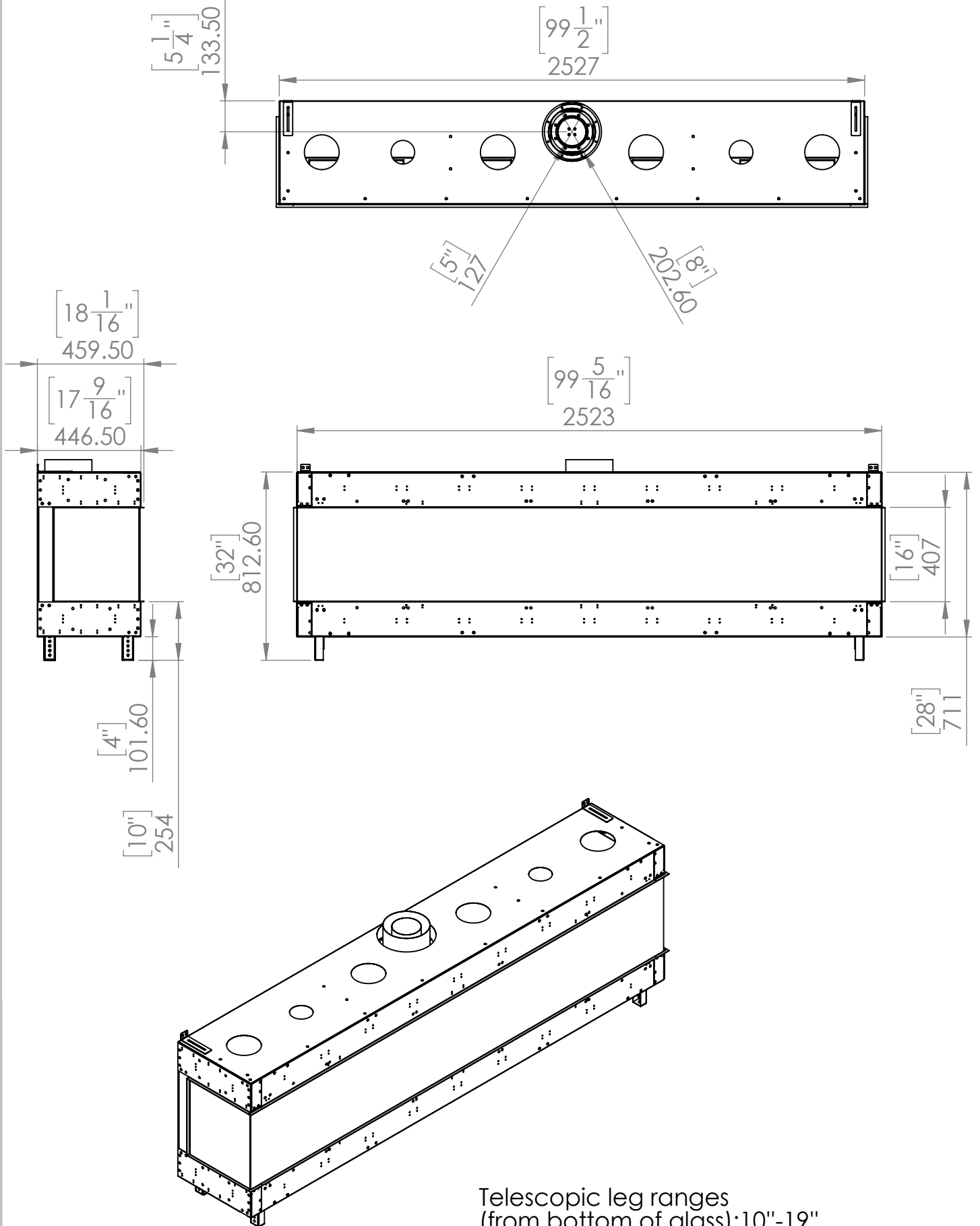




# FLARE Double Corner 100



Telescopic leg ranges  
(from bottom of glass): 10"-19"