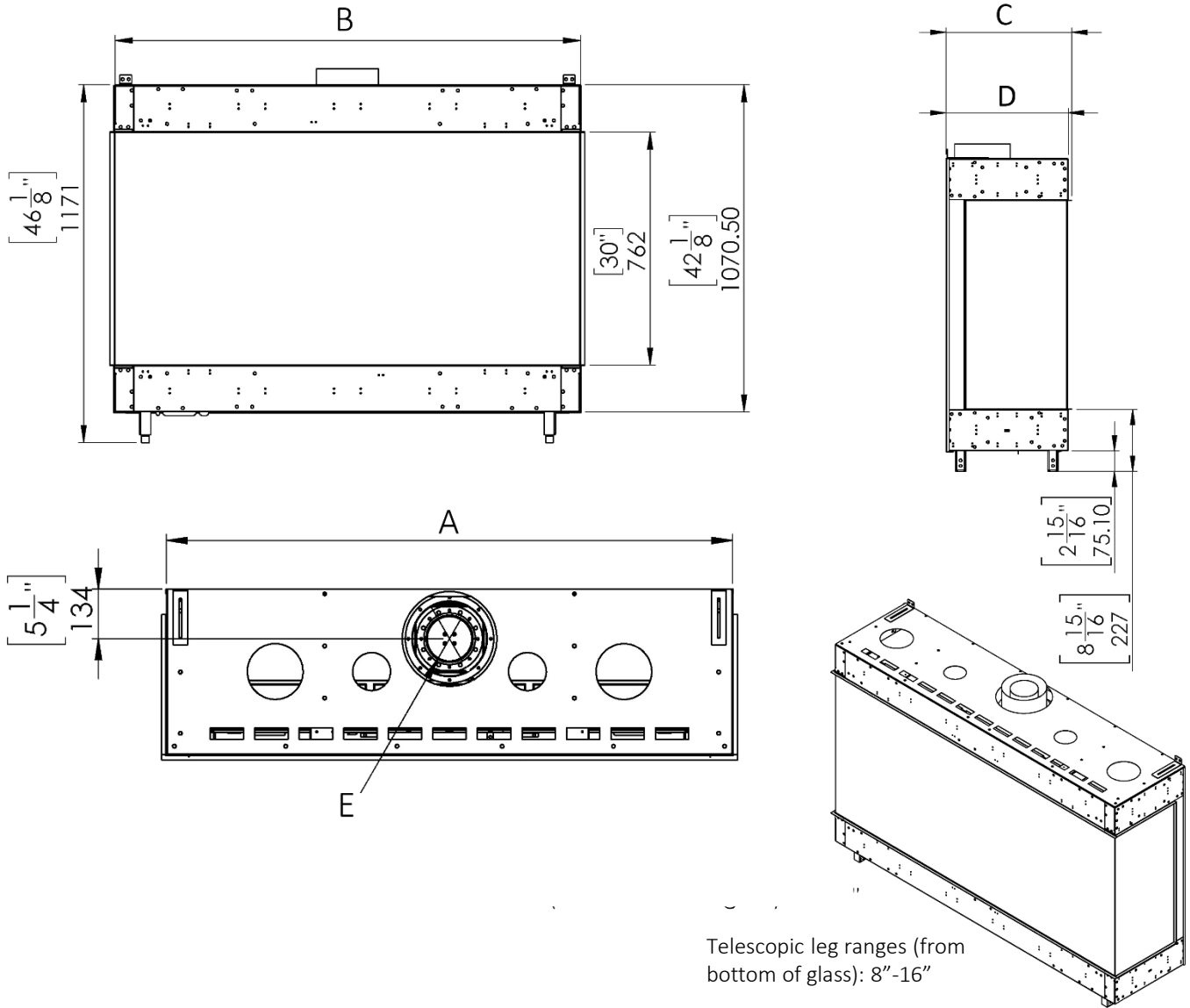
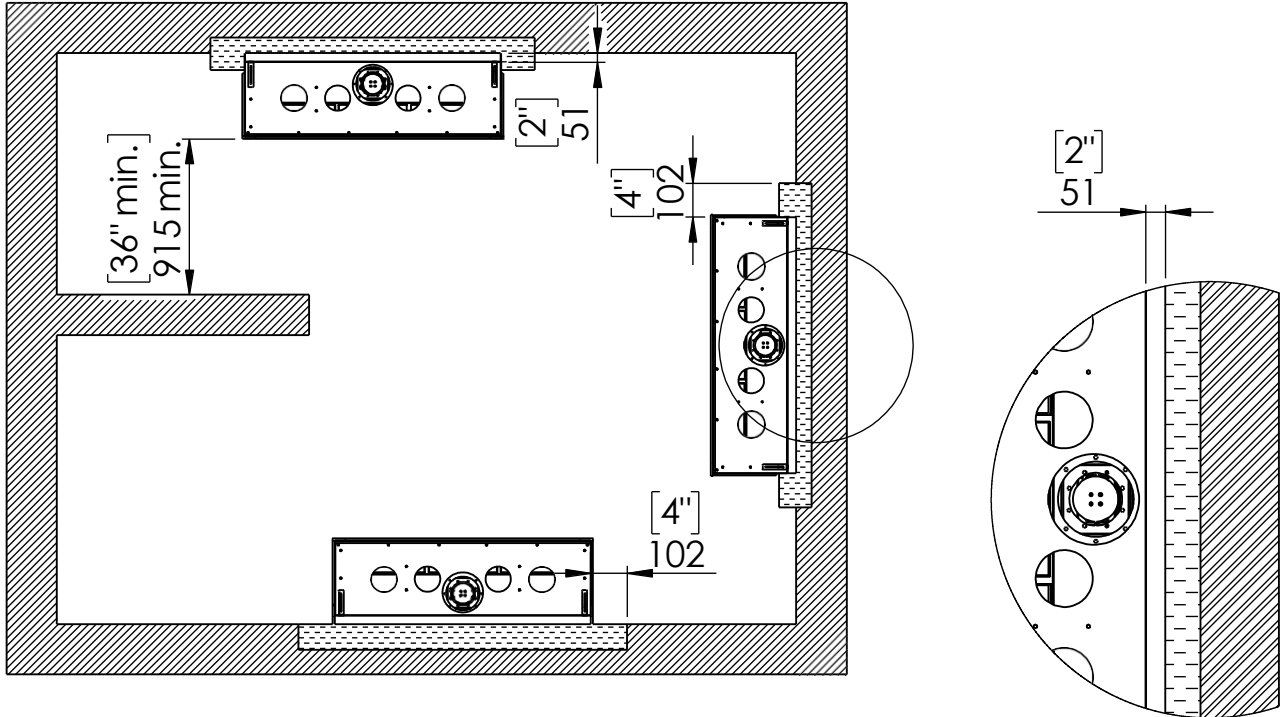


Fireplace Dimensions



| Model | | 45 | 50 | 60 | 70 | 80 | 100 |
|-------|----|---------|---------|----------|----------|---------|---------|
| A | IN | 43 9/16 | 50 4/16 | 60 2/16 | 69 15/16 | 82 9/16 | 99 8/16 |
| | MM | 1106 | 1276 | 1527 | 1776 | 2097 | 2527 |
| B | IN | 43 7/16 | 50 2/16 | 59 15/16 | 69 13/16 | 82 6/16 | 99 5/16 |
| | MM | 1103 | 1273 | 1522 | 1773 | 2092 | 2522 |
| C | IN | 18 1/16 | 18 1/16 | 18 1/16 | 18 1/16 | 18 1/16 | 18 1/16 |
| | MM | 458 | 458 | 458 | 458 | 458 | 458 |
| D | IN | 17 9/16 | 17 9/16 | 17 9/16 | 17 9/16 | 17 9/16 | 17 9/16 |
| | MM | 446 | 446 | 446 | 446 | 446 | 446 |
| E | IN | 4x6 | 5x8 | 5x8 | 5x8 | 5x8 | 5x8 |
| | MM | 101x152 | 127x203 | 127x203 | 127x203 | 127x203 | 127x203 |

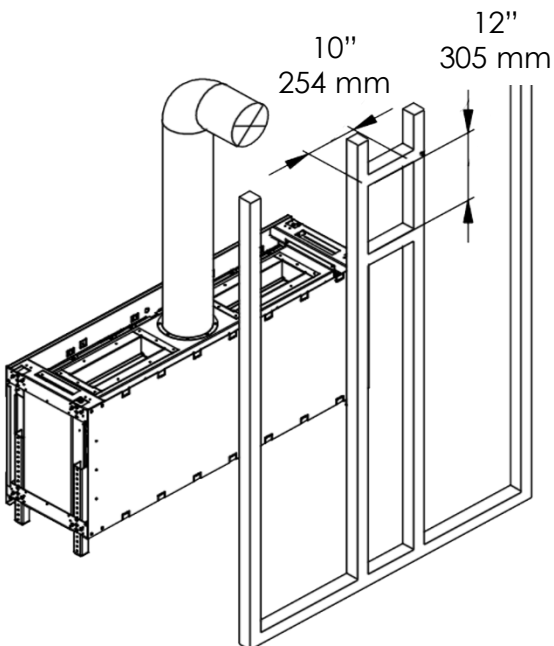
Clearances below are to non-combustible materials.



Chimney Installation

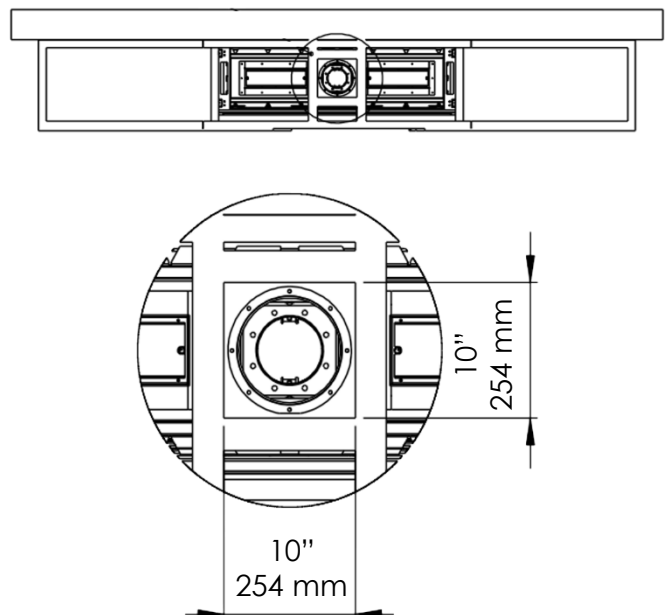
Horizontal Termination

For 5x8 vent pipe termination create a 10"x12" opening

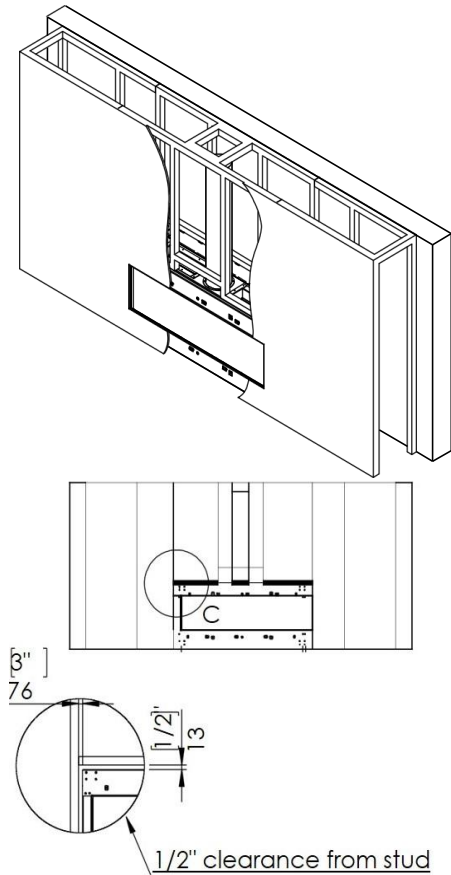


Vertical Termination

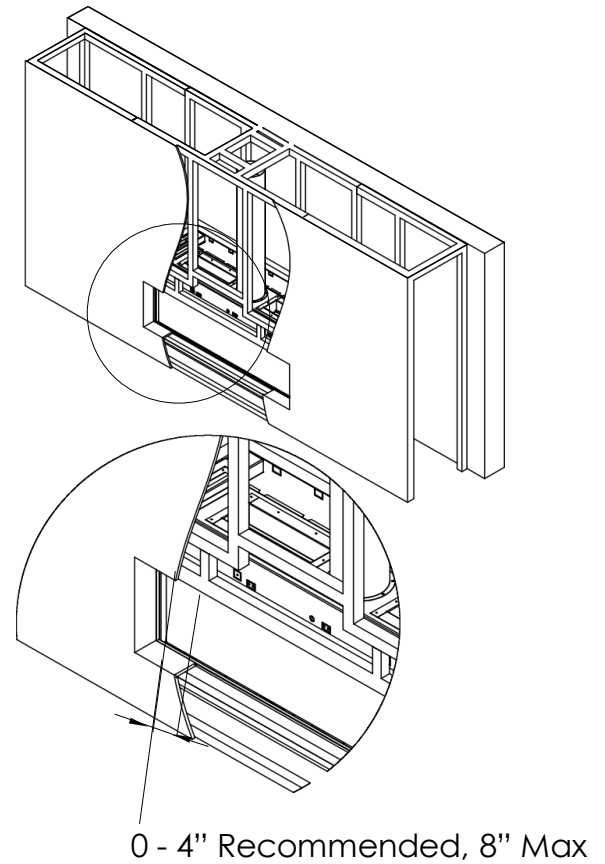
For 5x8 vent pipe termination create a 10"x10" opening



Flat Installation



Recessed Installation



Heat Release and Air Intake

Required Heat Release Open Air-Flow Minimum

80" and 100" Fireplaces - 200 square inches minimum.

60" and 70" Fireplaces - 140 square inches minimum.

30", 45", 50" Fireplaces - 100 square inches minimum.

Required Air Intake Open Air-Flow Minimum

80" and 100" Fireplaces - 100 square inches minimum.

60" and 70" Fireplaces - 70 square inches minimum.

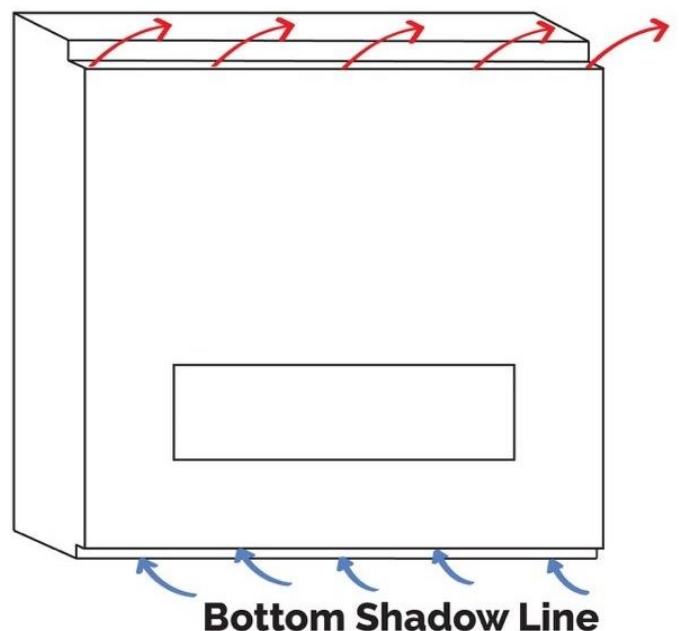
30", 45", 50" Fireplaces - 50 square inches minimum.

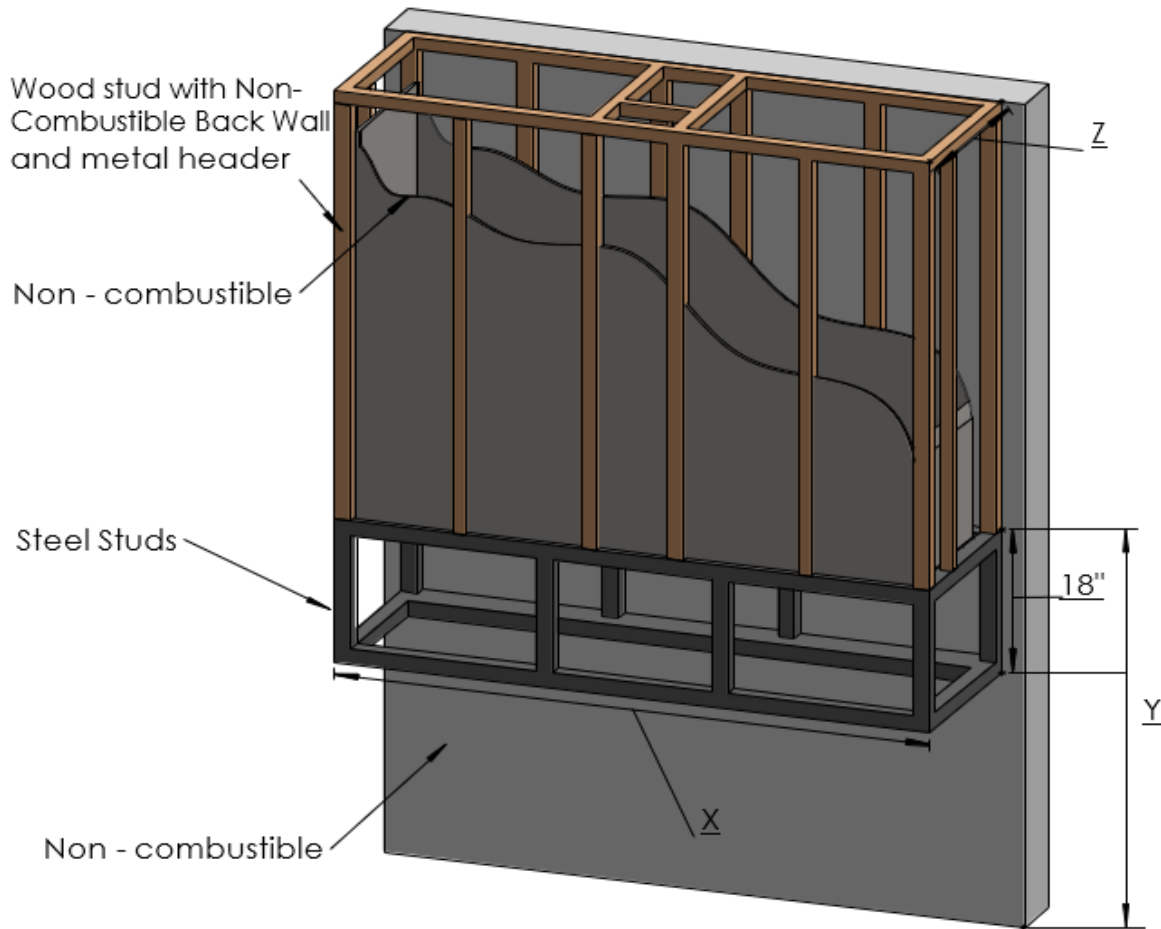
*(*Blower Kit and Cool Glass)*

*(**See Through and Room Definer Requirements Double.)*

*(***Openings are measured for open air-flow)*

Top Shadow Line

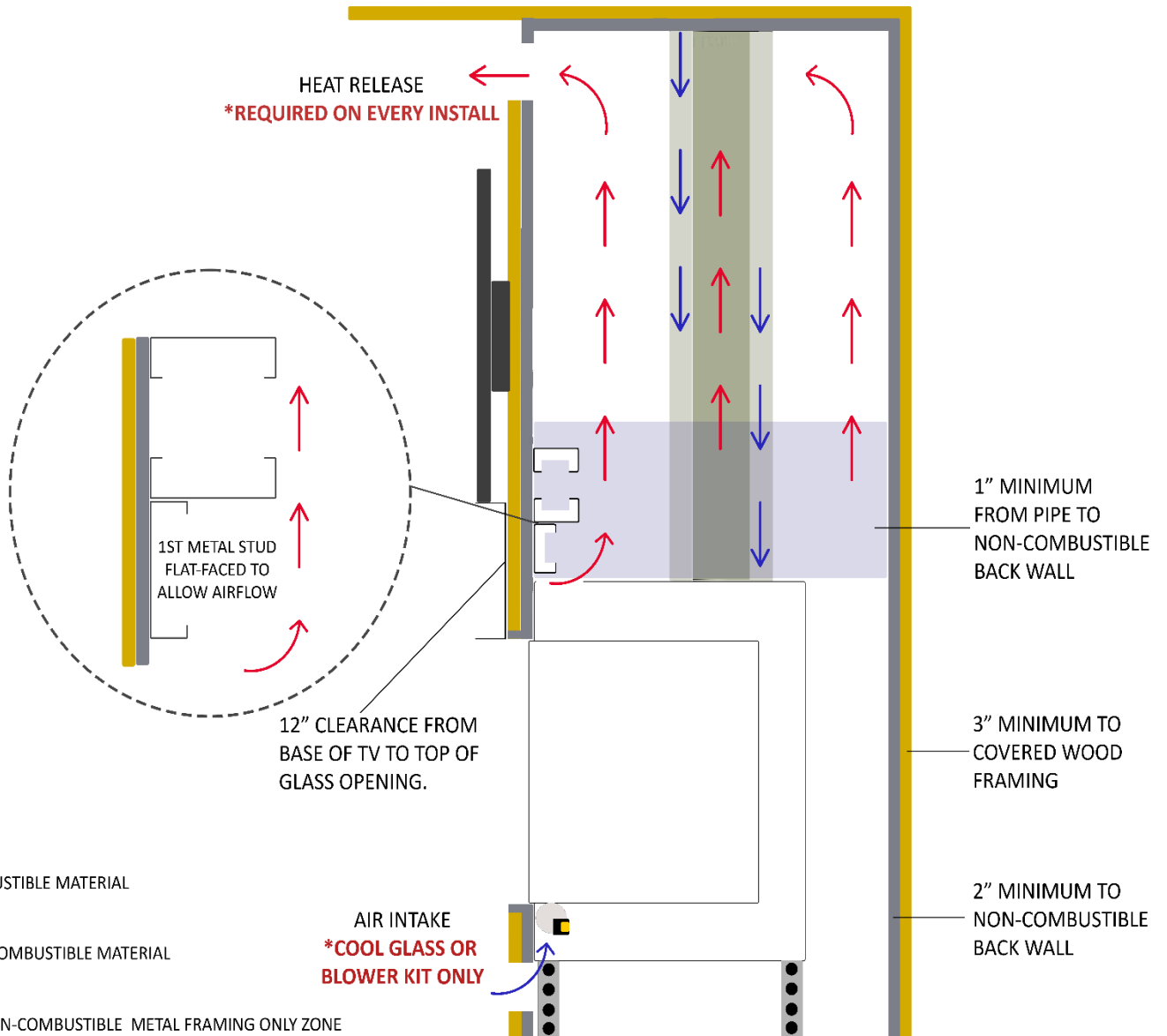




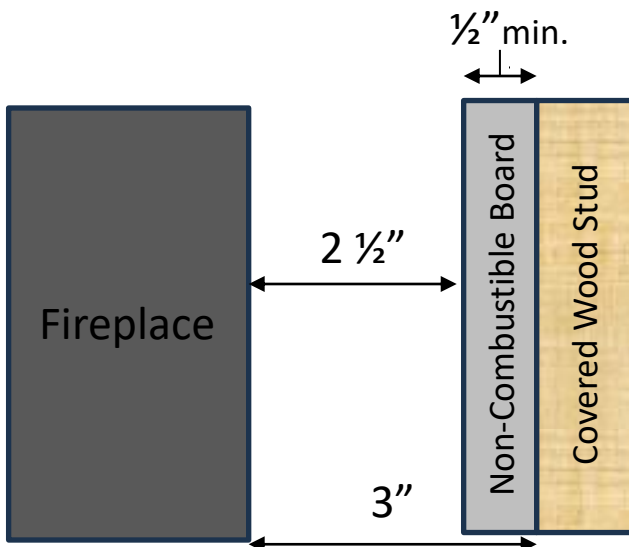
NOTE: Dimension “Y” assumes the fireplace legs are set to the default height of 3”, placing the glass opening at 9” above the floor. This “Y” dimension can change based on where your client wants their viewing window.

*All framing and finishing must be secured to your projects back wall, ceiling or floor and must never bear weight on the fireplace in any circumstance. For more information reference the [Installation Manual](#).

| Model | | X | Y | Z | |
|-------|----|----------|--------|-------------------|--------------------------|
| | | | | Flat Installation | Recess Installation (4") |
| 45 | IN | 43 9/16 | 64 5/8 | 20 9/16 | 24 9/16 |
| | MM | 1106 | 1641 | 522 | 623 |
| 50 | IN | 50 4/16 | 64 5/8 | 20 9/16 | 24 9/16 |
| | MM | 1276 | 1641 | 522 | 623 |
| 60 | IN | 60 2/16 | 64 5/8 | 20 9/16 | 24 9/16 |
| | MM | 1527 | 1641 | 522 | 623 |
| 70 | IN | 69 15/16 | 64 5/8 | 20 9/16 | 24 9/16 |
| | MM | 1776 | 1641 | 522 | 623 |
| 80 | IN | 82 9/16 | 64 5/8 | 20 9/16 | 24 9/16 |
| | MM | 2097 | 1641 | 522 | 623 |
| 100 | IN | 99 8/16 | 64 5/8 | 20 9/16 | 24 9/16 |
| | MM | 2527 | 1641 | 522 | 623 |



Wood Framing Clearances and Materials Example



*Any combustible material found within the fireplace cavity must be covered with a minimum $\frac{1}{2}$ " thick non-combustible board and maintain a 3" clearance to the sides and back of the fireplace.