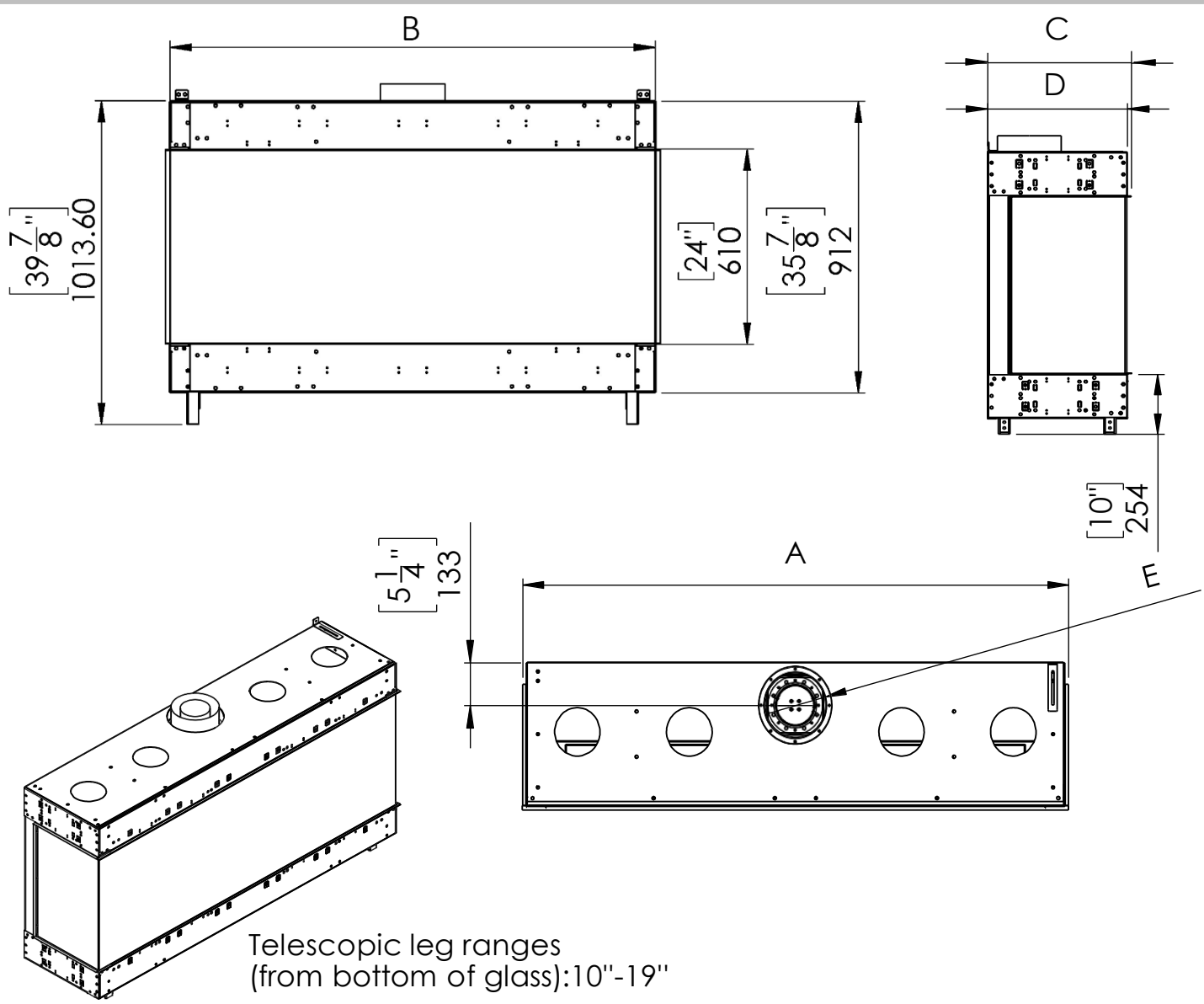
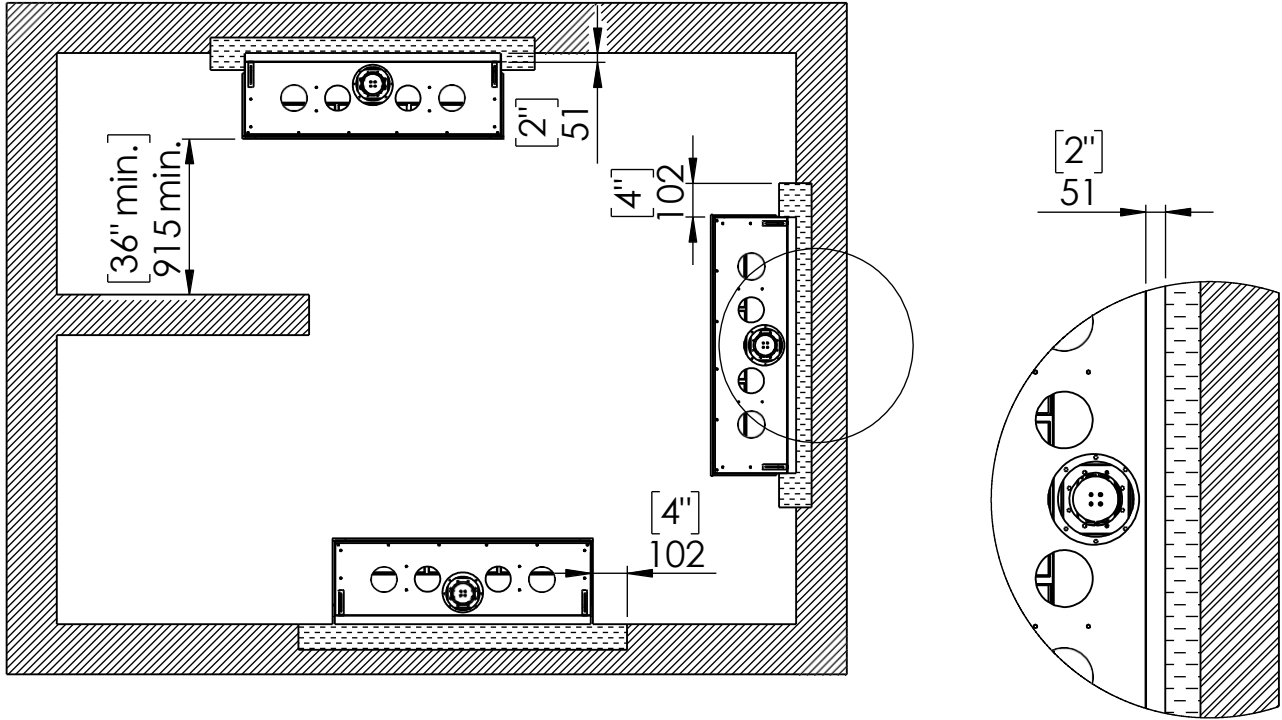


### Fireplace Dimensions



Model		30	45	50	60	70	80	100
A	IN	30 9/16	43 9/16	50 4/16	60 2/16	69 15/16	82 9/16	99 8/16
	MM	776	1106	1276	1527	1776	2097	2527
B	IN	30 7/16	43 7/16	50 2/16	59 15/16	69 13/16	82 6/16	99 5/16
	MM	773	1103	1273	1522	1773	2092	2522
C	IN	18 1/16	18 1/16	18 1/16	18 1/16	18 1/16	18 1/16	18 1/16
	MM	458	458	458	458	458	458	458
D	IN	17 9/16	17 9/16	17 9/16	17 9/16	17 9/16	17 9/16	17 9/16
	MM	446	446	446	446	446	446	446
E	IN	4x6	4x6	5x8	5x8	5x8	5x8	5x8
	MM	101x152	101x152	127x203	127x203	127x203	127x203	127x203

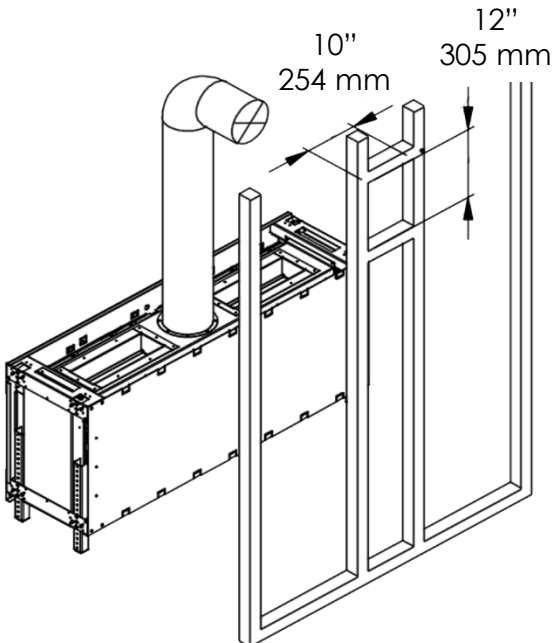
Clearances below are to non-combustible materials.



## Chimney Installation

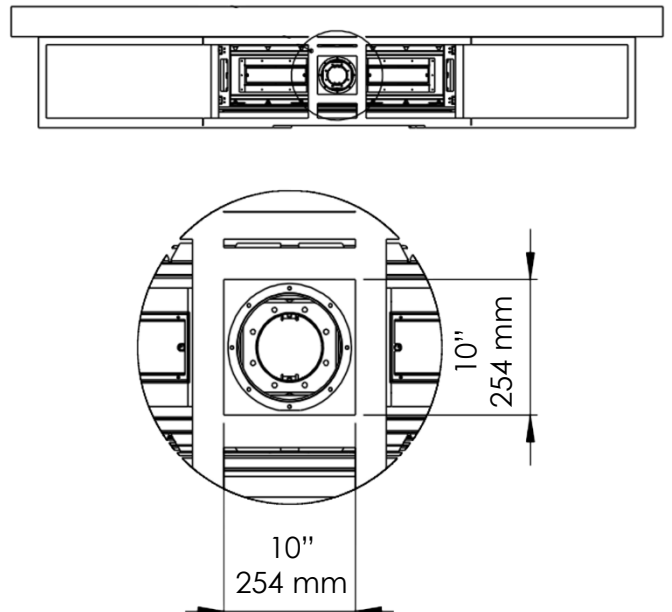
### Horizontal Termination

For 5x8 vent pipe termination create a 10"x12" opening

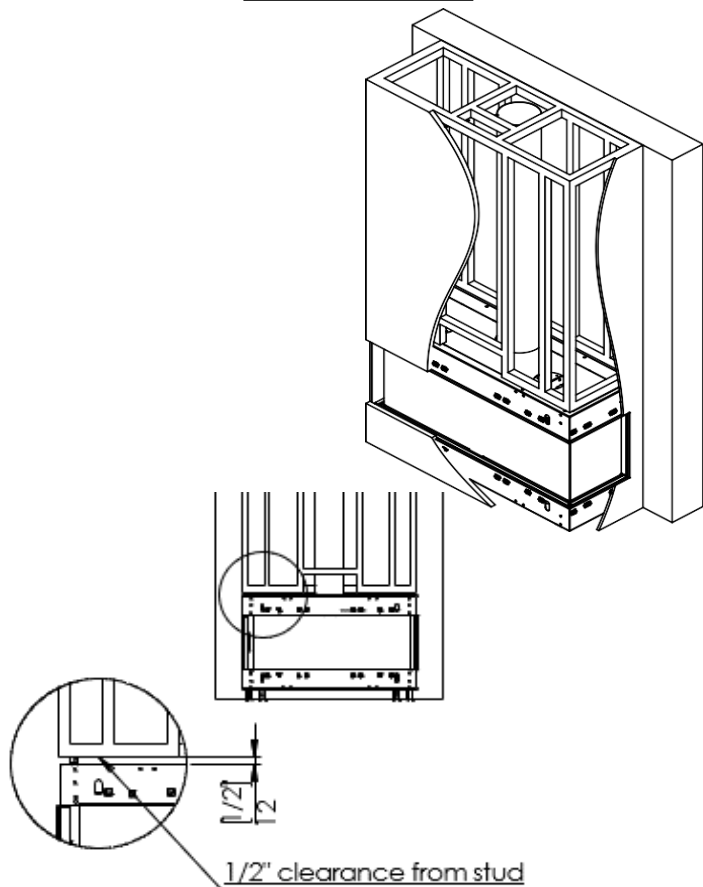


### Vertical Termination

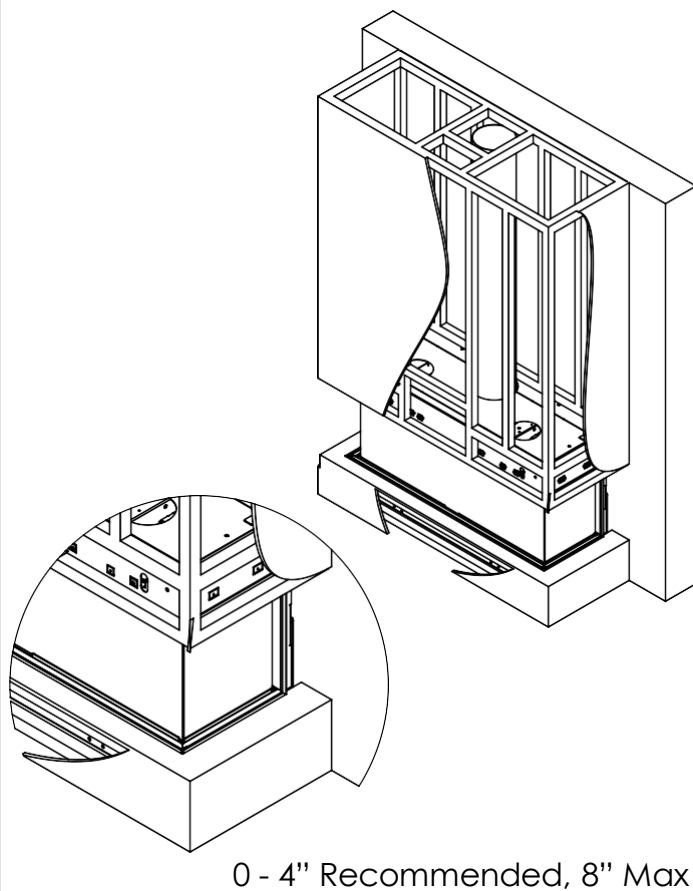
For 5x8 vent pipe termination create a 10"x10" opening



Flat Installation



Recessed Installation



## Heat Release and Air Intake

### Required Heat Release Open Air-Flow Minimum

80" and 100" Fireplaces - 200 square inches minimum.

60" and 70" Fireplaces - 140 square inches minimum.

30", 45", 50" Fireplaces - 100 square inches minimum.

### Required Air Intake Open Air-Flow Minimum

80" and 100" Fireplaces - 100 square inches minimum.

60" and 70" Fireplaces - 70 square inches minimum.

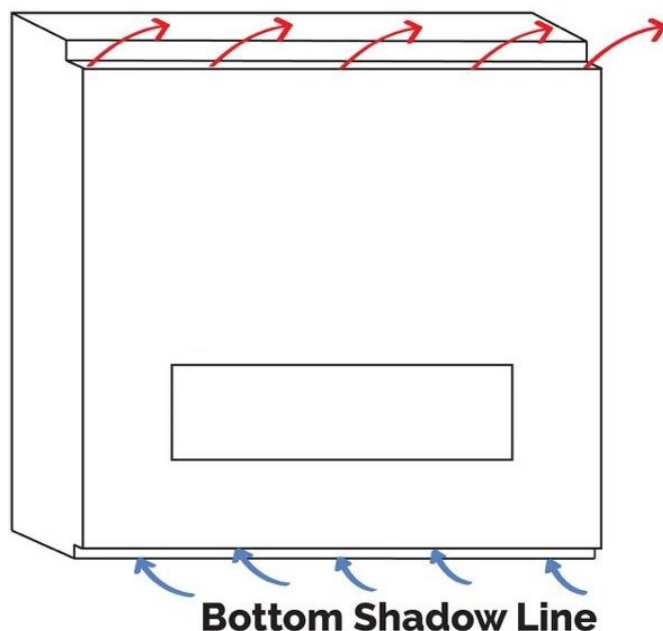
30", 45", 50" Fireplaces - 50 square inches minimum.

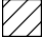
*(\*Blower Kit and Cool Glass)*

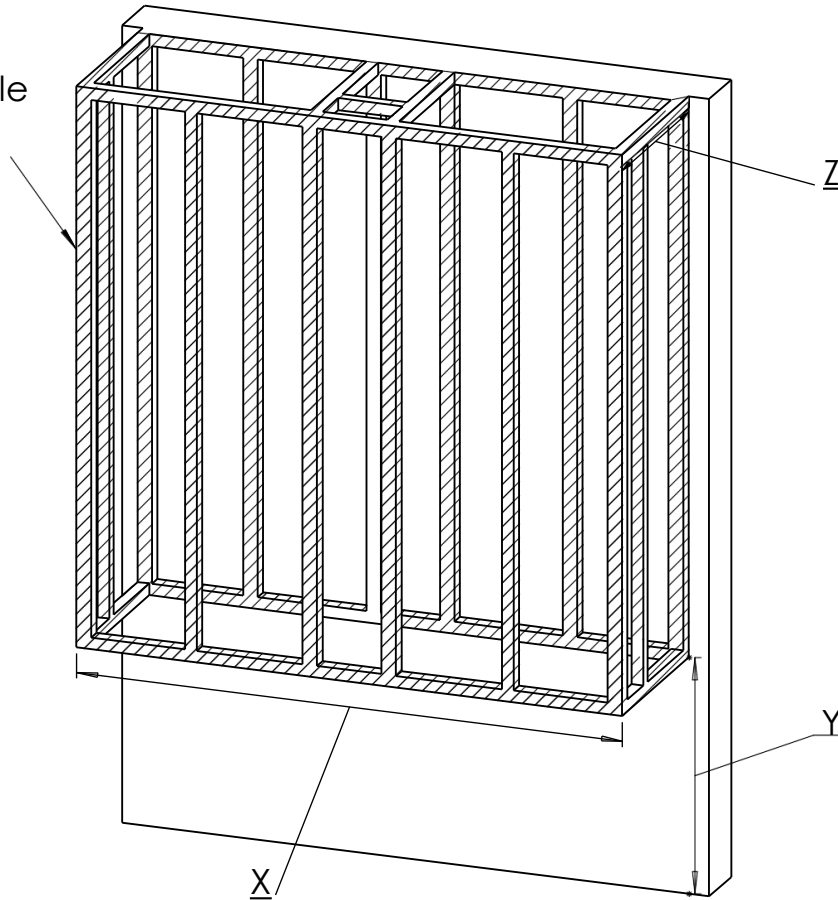
*(\*\*See Through and Room Definer Requirements Double.)*

*(\*\*\*Openings are measured for open air-flow)*

### Top Shadow Line



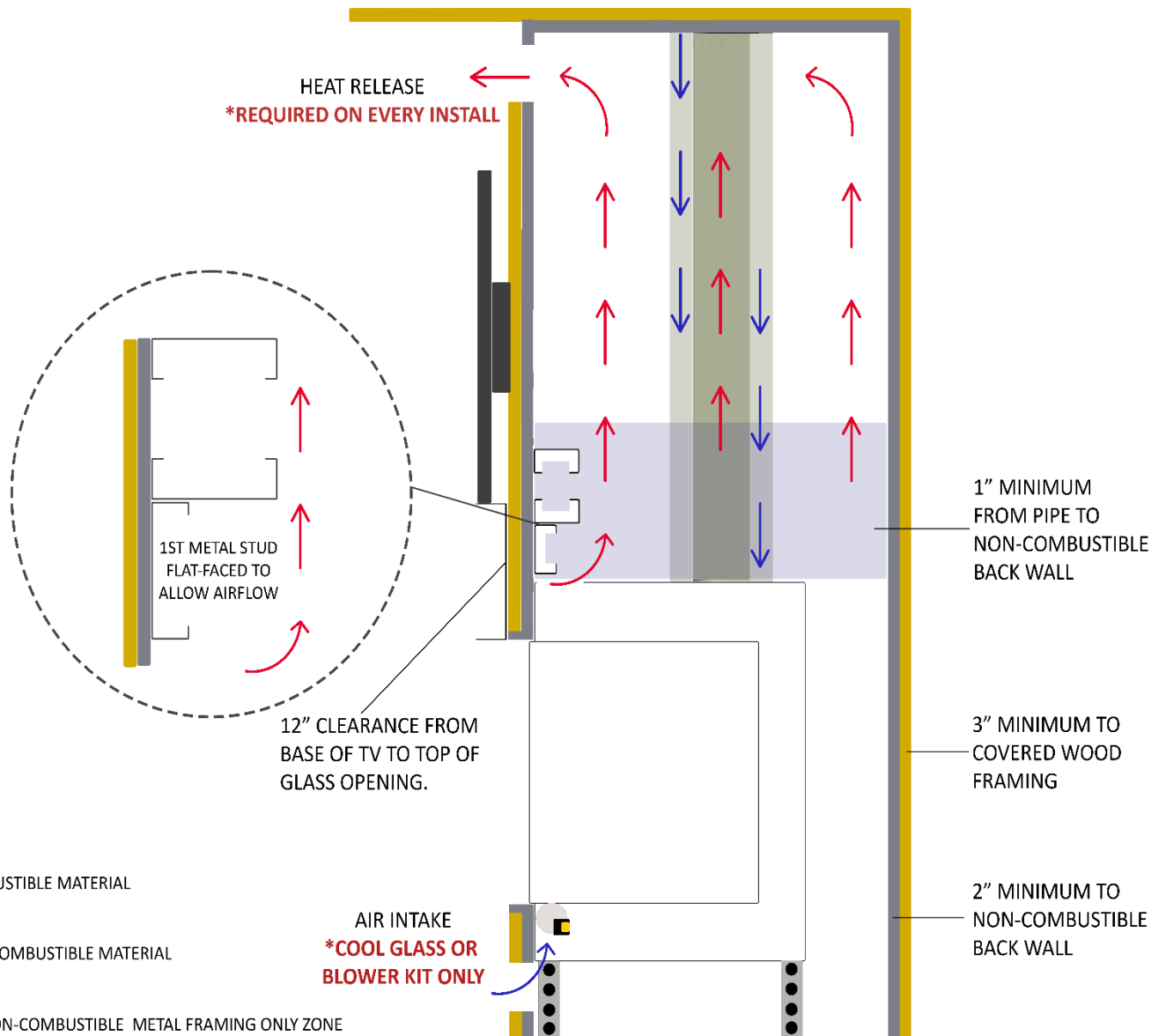
 Metal Stud with Non-Combustible back wall



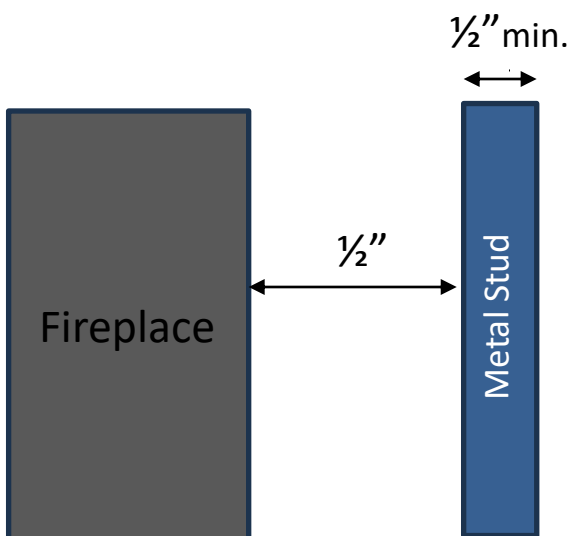
**NOTE:** Dimension “Y” assumes the fireplace legs are set to the default height of 4”, placing the glass opening at 10” above the floor. This “Y” dimension can change based on where your client wants their viewing window.

\*All framing and finishing must be secured to your projects back wall, ceiling or floor and must never bear weight on the fireplace in any circumstance. For more information reference the [Installation Manual](#).

Model		X	Y	Z	
				Flat Installation	Recess Installation (4")
30	IN	30 9/16	40 1/2	19 9/16	23 9/16
	MM	776	1028	496	598
45	IN	43 9/16	40 1/2	19 9/16	23 9/16
	MM	1106	1028	496	598
50	IN	50 4/16	40 1/2	19 9/16	23 9/16
	MM	1276	1028	496	598
60	IN	60 2/16	40 1/2	19 9/16	23 9/16
	MM	1527	1028	496	598
70	IN	69 15/16	40 1/2	19 9/16	23 9/16
	MM	1776	1028	496	598
80	IN	82 9/16	40 1/2	19 9/16	23 9/16
	MM	2097	1028	496	598
100	IN	99 8/16	40 1/2	19 9/16	23 9/16
	MM	2527	1028	496	598



### Metal Framing Clearances and Materials Example



**\*Any combustible material found within the fireplace cavity must be covered with a minimum  $\frac{1}{2}$ " thick non-combustible board and maintain a 3" clearance to the sides and back of the fireplace.**