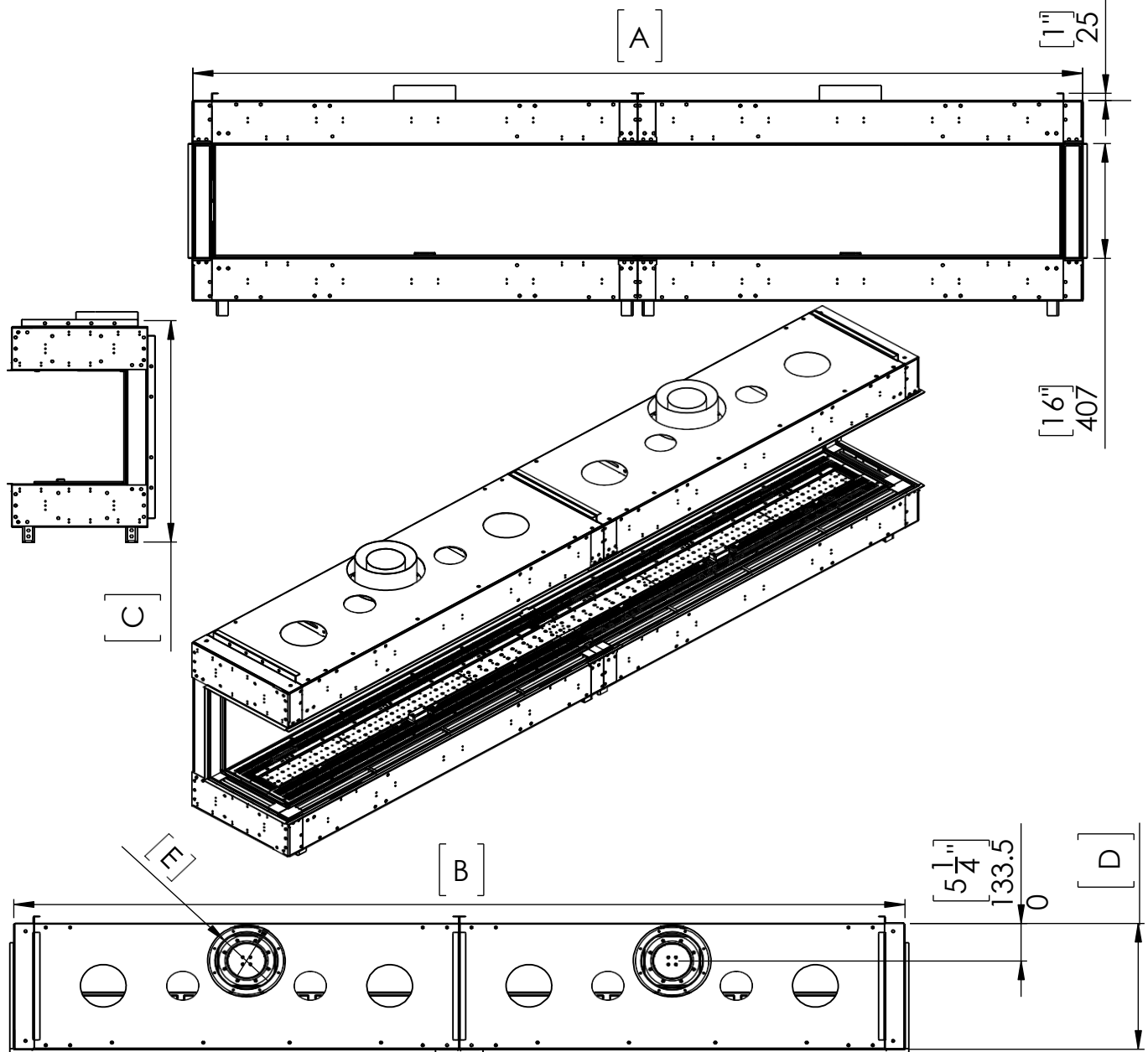
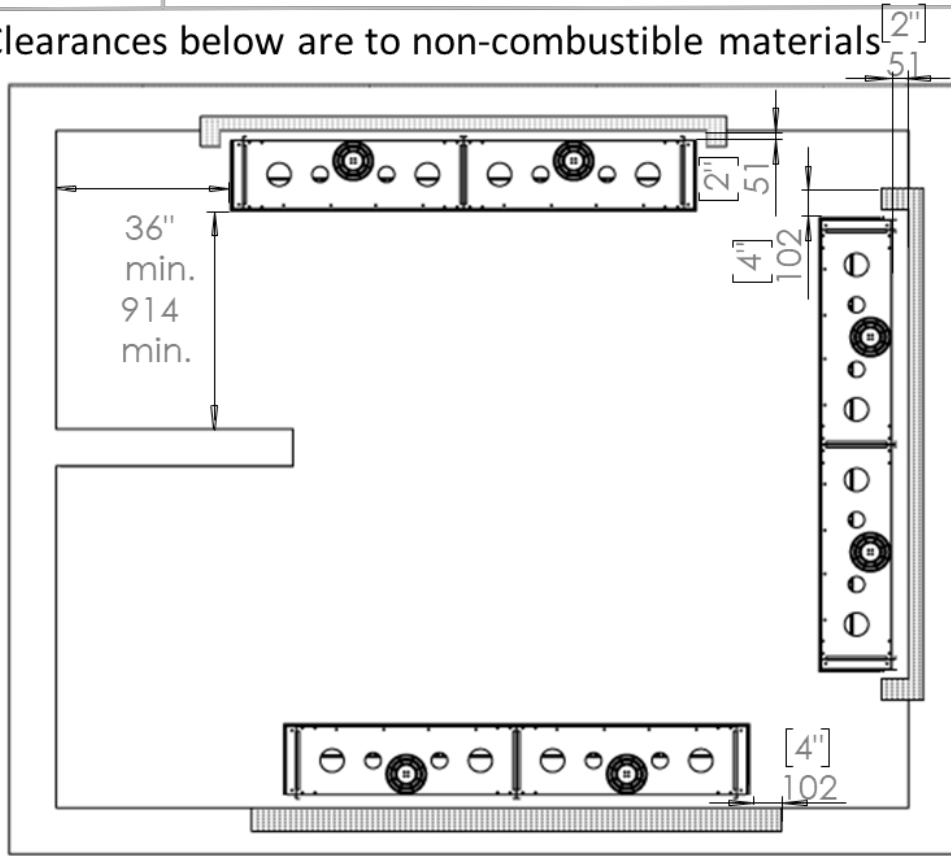


Fireplace Dimensions



Model	120	140	160	200
A- Inch	114 ¹⁵ / ₁₆	134 ¹⁰ / ₁₆	159 ¹³ / ₁₆	193 ¹¹ / ₁₆
B- Inch	115 ² / ₁₆	134 ¹³ / ₁₆	160	193 ¹⁴ / ₁₆
C- Inch	31 ² / ₁₆	31 ² / ₁₆	31 ² / ₁₆	31 ² / ₁₆
D- Inch	17 ⁹ / ₁₆	17 ⁹ / ₁₆	17 ⁹ / ₁₆	17 ⁹ / ₁₆
E- Inch	5x8	5x8	5x8	5x8

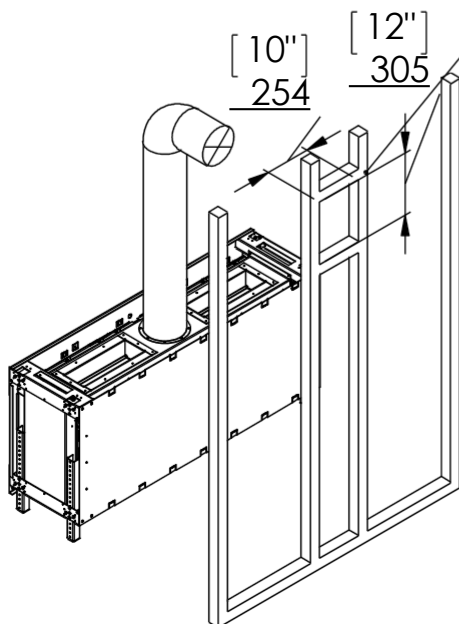
Clearances below are to non-combustible materials



Chimney Installation

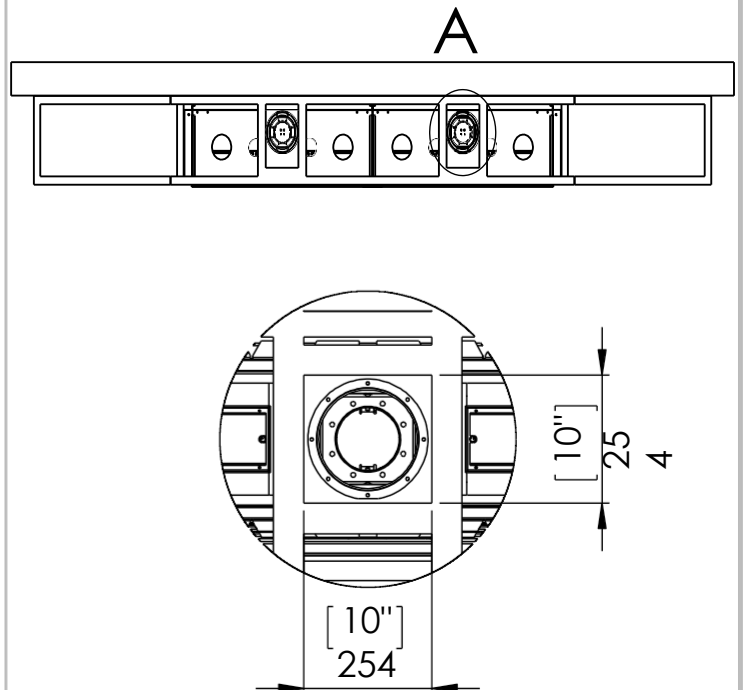
Horizontal Termination

For 5 x 8 vent size create 10" x 12" vent termination opening

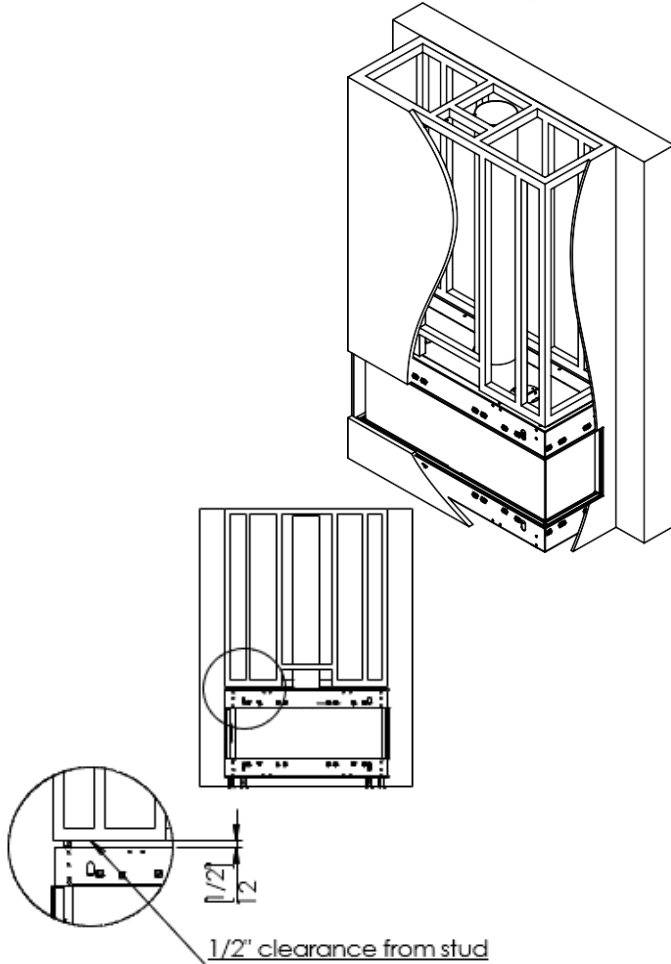


Vertical Termination

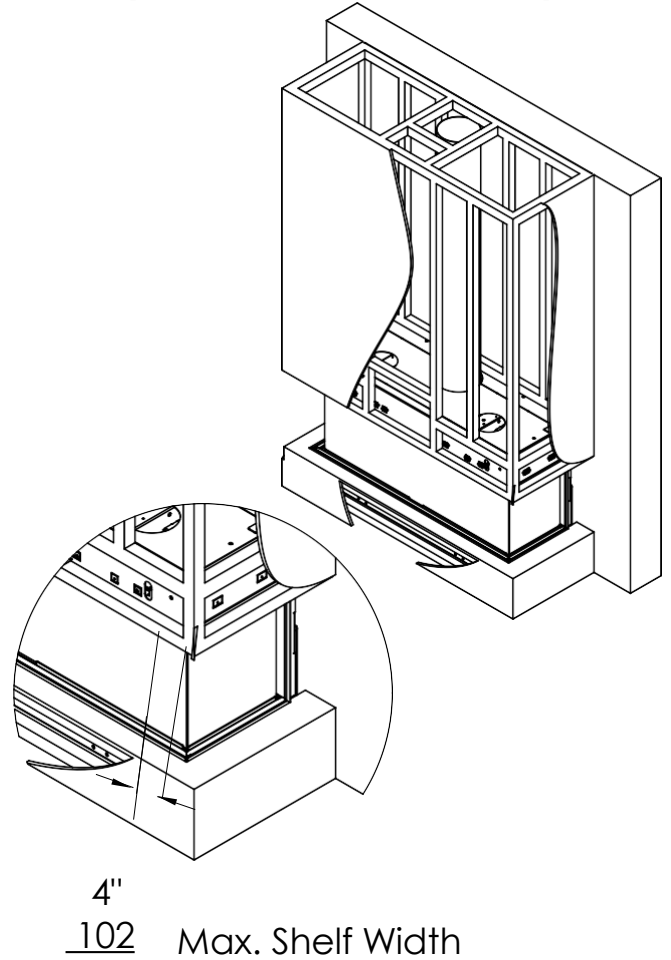
For 5 x 8 vent size, create 10" x 10" vent termination openings



Flat Installation Example



L Shape Installation Example



Heat Release and Air Intakes

The following sizes MUST be maintained for the upper heat release:

For fireplaces 160" & 200" – open vent area must be at least 400 square inches.

For fireplaces 120" & 140" – open vent area must be at least 280 square inches.

The following sizes MUST be maintained for the lower air intake:

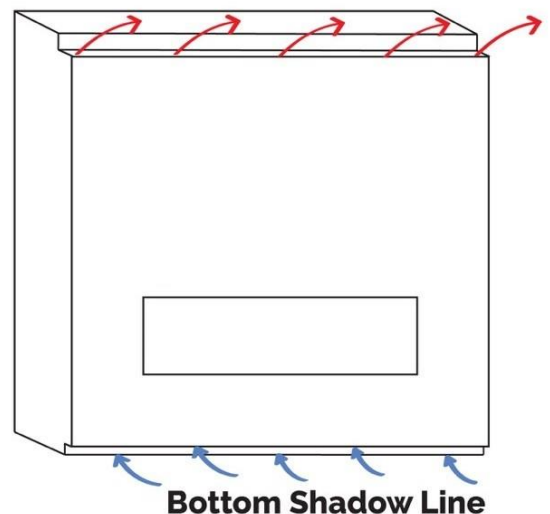
For fireplaces 160" & 200" – open vent area must be at least 200 square inches.


For fireplaces 120" & 140" - open vent area must be at least 140 square inches.

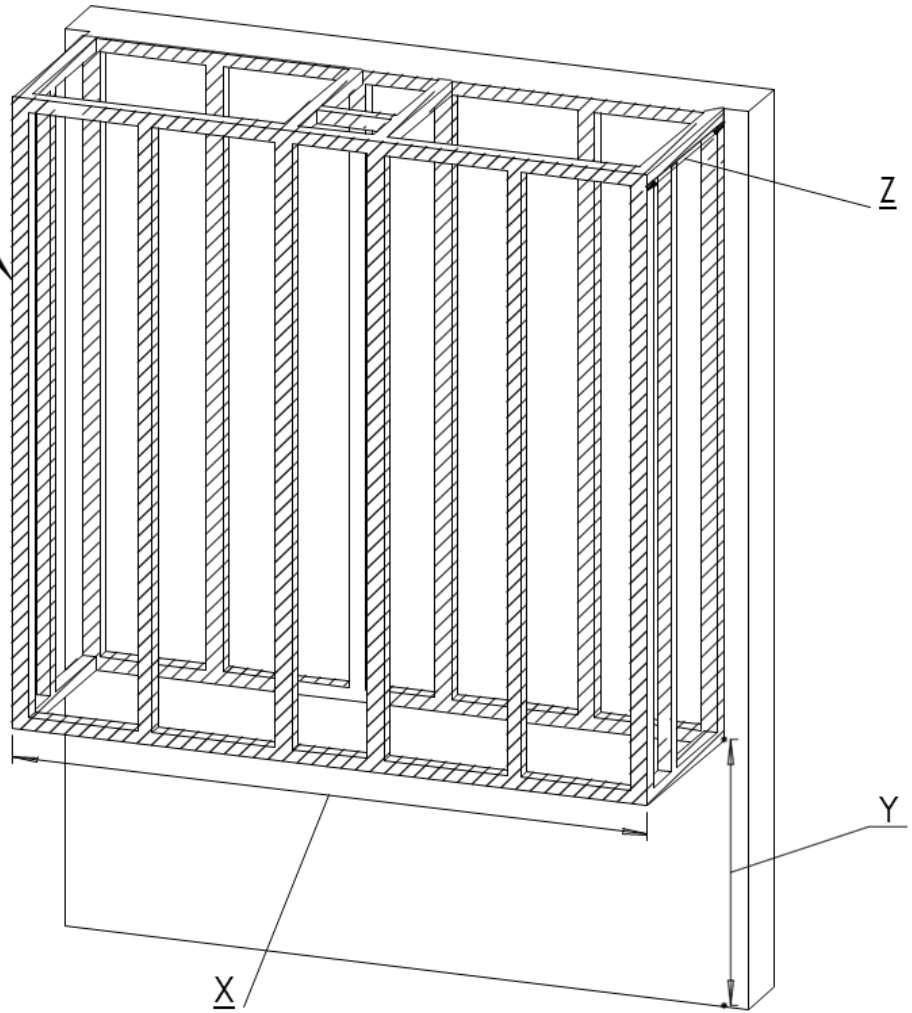
NOTE: Openings above for Heat Release and Air Intake are measured for open air space. **BE SURE TO CALCULATE FOR RESTRICTIONS IN GRATING.**

NOTE: For cooler operating wall temperature and Double Glass Safety Barrier, it is recommended to exceed the minimum requirements above.

Top Shadow Line



 Metal Stud
 with Non-
 Combustible
 back wall



NOTE: Dimension 'Y' uses fireplace at default lowest height with glass viewing window beginning 8 ¼" above the floor. Any higher viewing windows must have a platform created to raise fireplace off the floor and increase the value of 'Y' to accommodate any increase.

		X	Y	Z	
				Flat Installation	Recess Installation (4" Max)
120	Inch	115 2/16	31 10/16	19 9/16	23 9/16
	mm	2890	803	497	598
140	Inch	134 13/16	31 10/16	19 9/16	23 9/16
	mm	3424	803	497	598
160	Inch	160	31 10/16	19 9/16	23 9/16
	mm	4064	803	497	598
200	Inch	193 14/16	31 10/16	19 9/16	23 9/16
	mm	4924	803	497	598