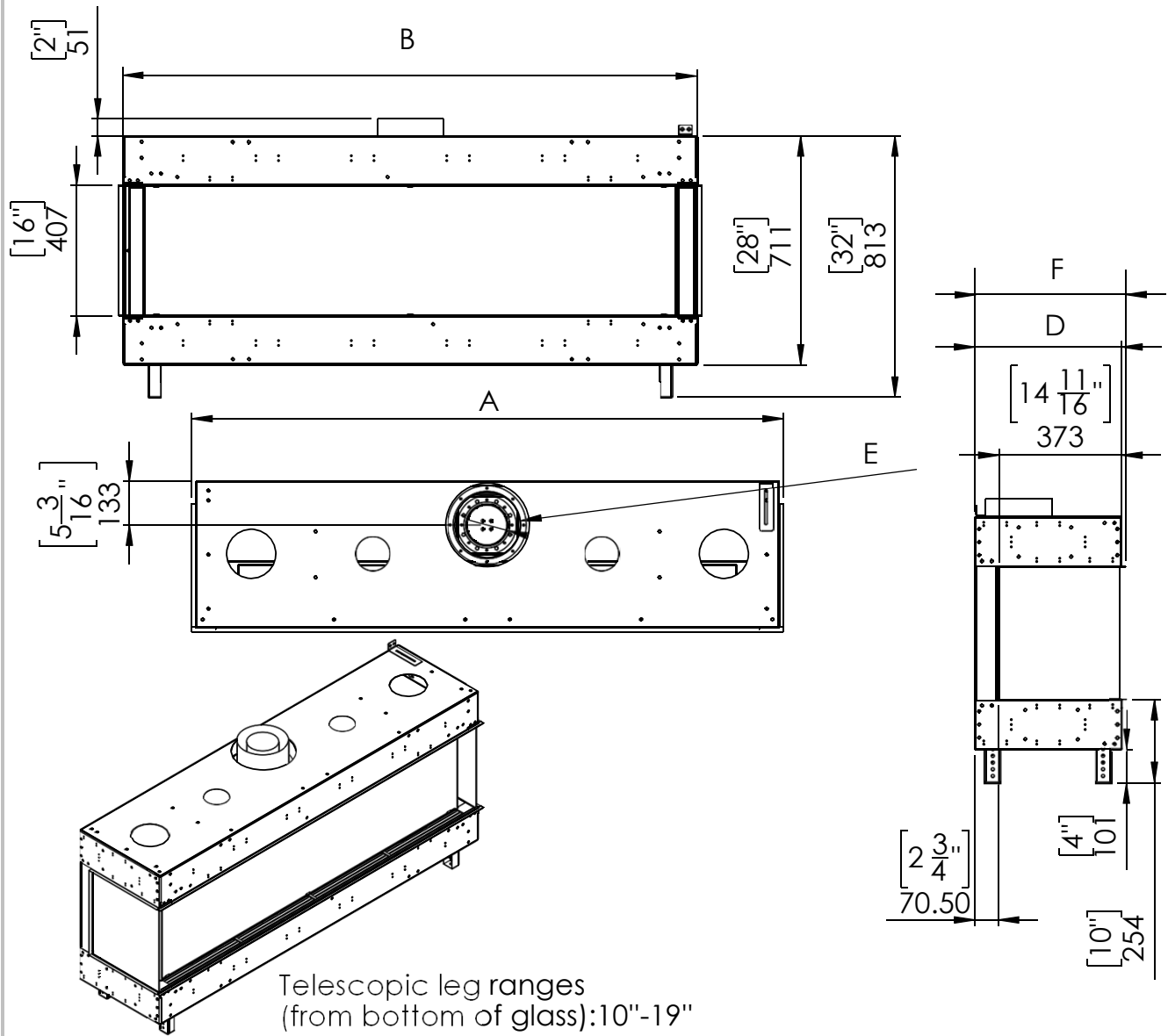
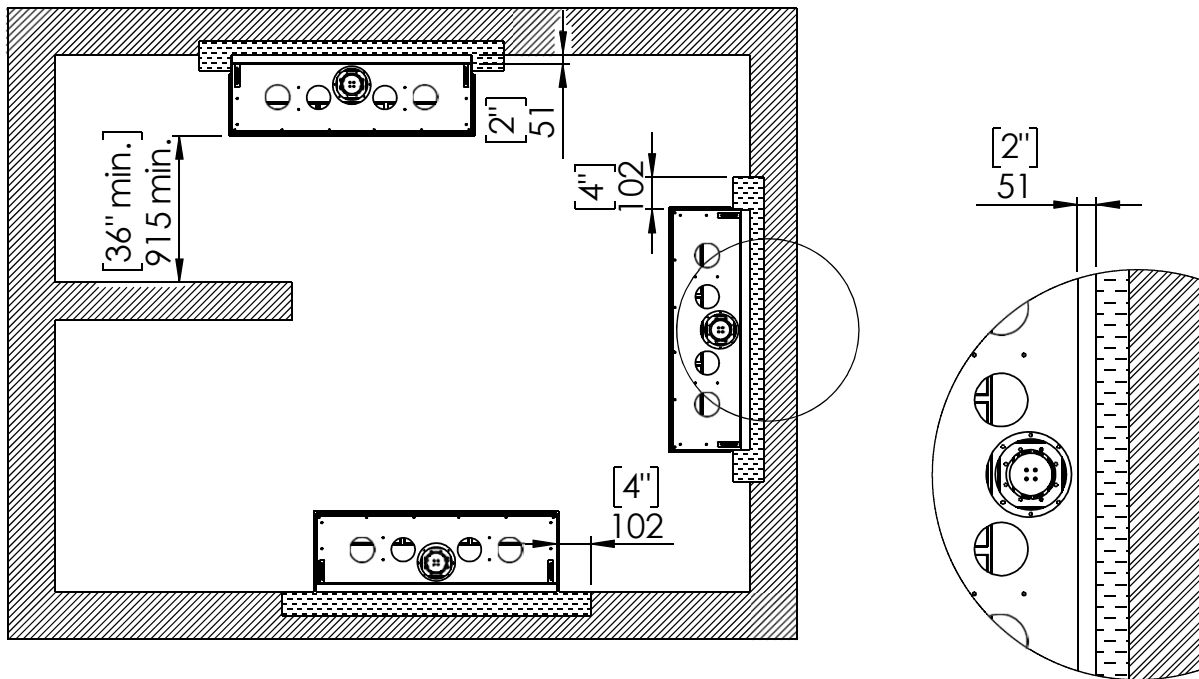


Fireplace Dimensions



Model	45	50	60	70	80	100
A- Inch	43 9/16	50 4/16	60 2/16	69 15/16	82 9/16	99 8/16
B- Inch	43 7/16	50 2/16	59 15/16	69 13/16	82 6/16	99 5/16
F- Inch	18 1/16	18 1/16	18 1/16	18 1/16	18 1/16	18 1/16
D- Inch	17 9/16	17 9/16	17 9/16	17 9/16	17 9/16	17 9/16
E- Inch	4x6	5x8	5x8	5x8	5x8	5x8

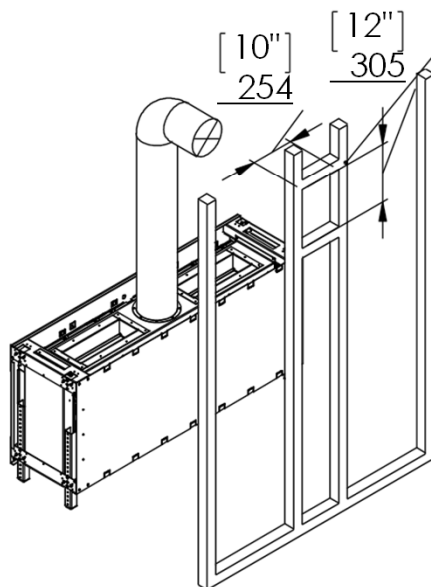


 Combustible Materials
 Non Combustible Materials

Chimney Installation

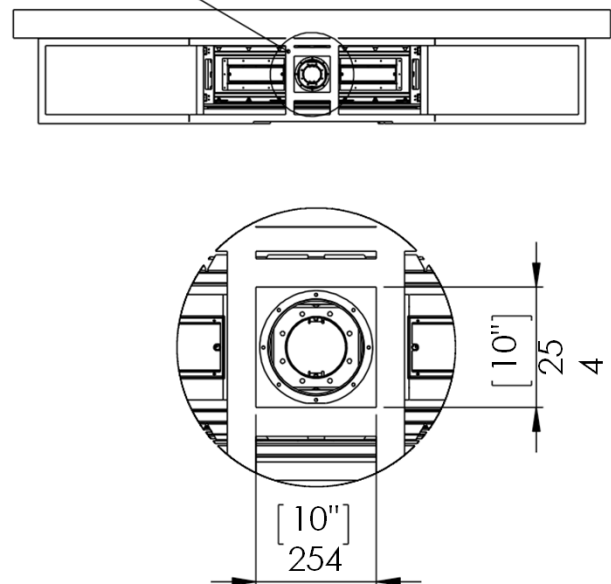
Horizontal Termination

For 5 x 8 vent size create 10" x 12" vent termination opening

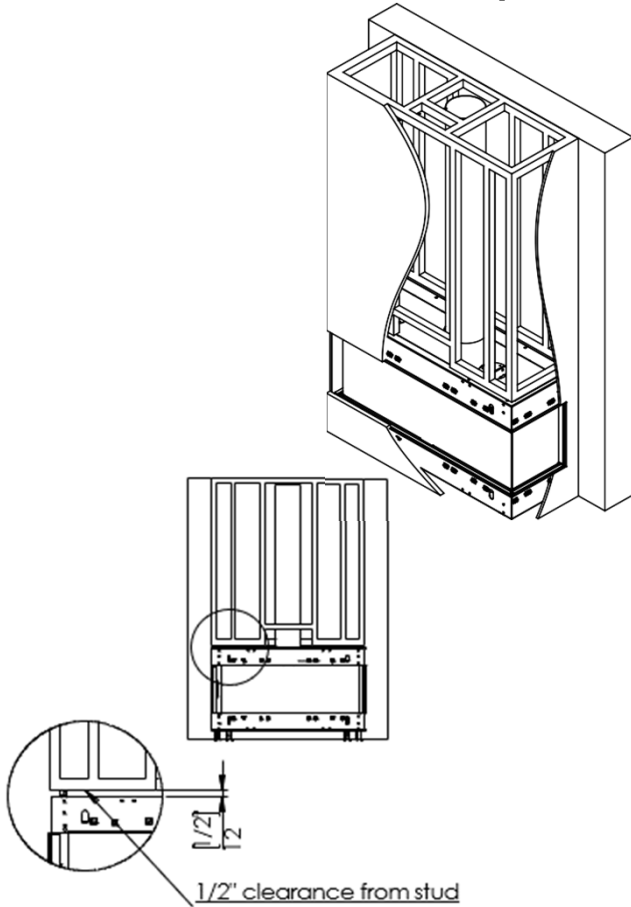


Vertical Termination

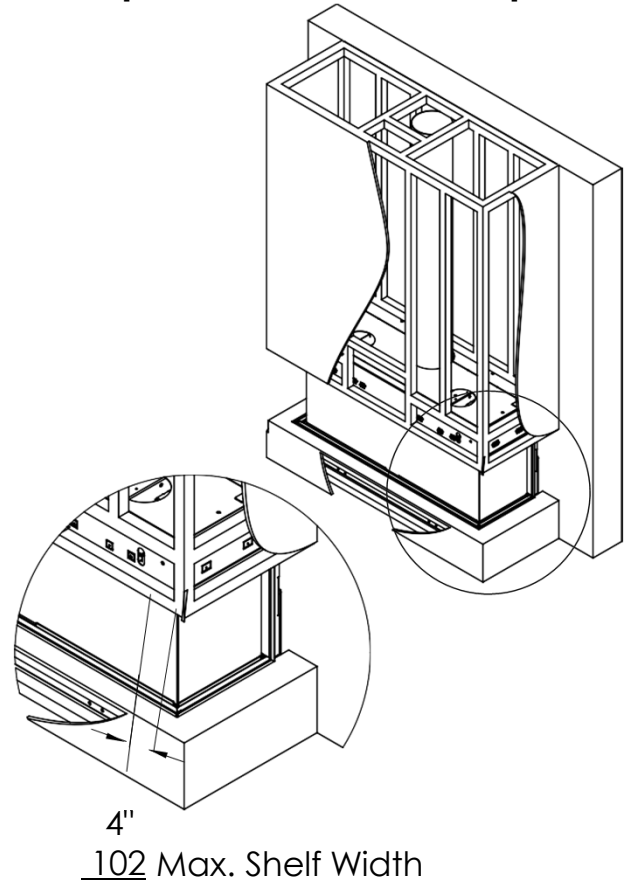
For 5 x 8 vent size create 10" x 10" vent termination opening



Flat Installation Example



L Shape Installation Example



Heat Release and Air Intakes

The following sizes MUST be maintained for the upper heat release:

For fireplaces sized **80" & 100"** – open vent area must be at least **200 square inches**.

For fireplaces sized **60" & 70"** – open vent area must be at least **140 square inches**.

For fireplace sized **50"** and below – open vent area must be at least **100 square inches**.

The following sizes MUST be maintained for the lower air intake:

For fireplaces sized **80" & 100"** – open vent area must be at least **100 square inches**.

For fireplaces sized **60" & 70"** - open vent area must be at least **70 square inches**.

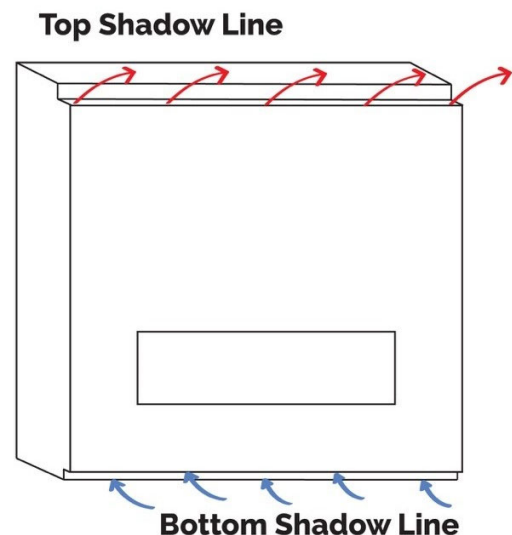
For fireplaces sized **50"** and below - open vent area must be at least **50 square inches**.

For See Through and Room Definer fireplaces, the air intake requirements are **double**.


NOTE: Openings above for Heat Release and Air Intake are measured for open air space. BE SURE TO CALCULATE FOR RESTRICTIONS IN GRATING.

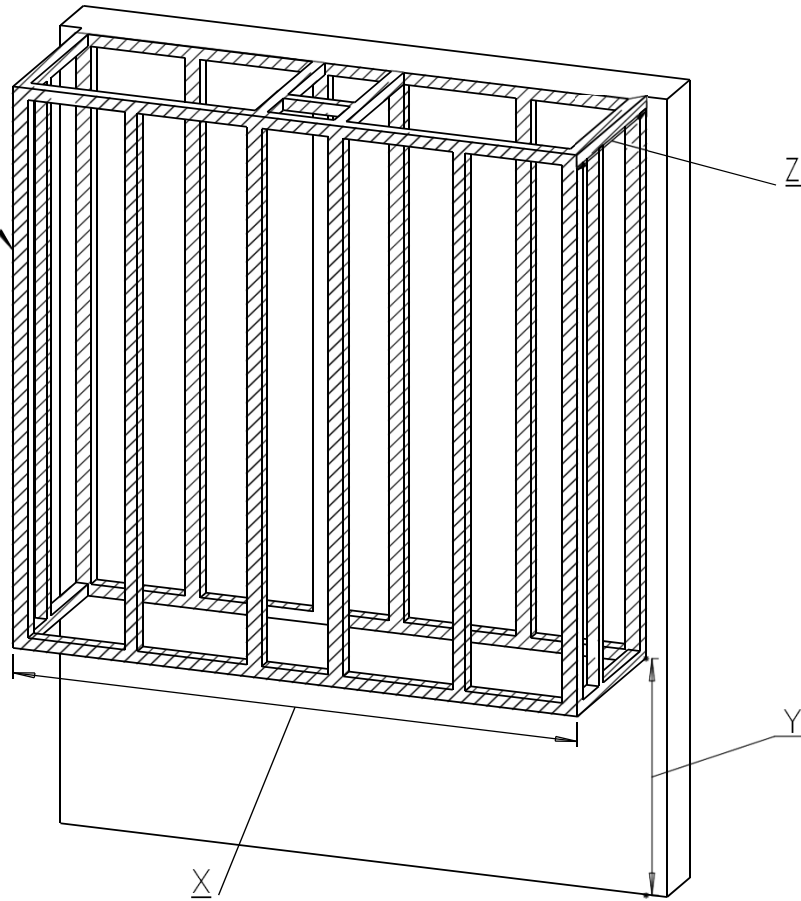
NOTE: On all See Through and Room Definer units the air intake must be doubled

Air Intakes required for Double Glass or Optional Blower kits ONLY.



Double Corner Metal Frame

 Metal Stud
 with Non-
 Combustible
 back wall



NOTE: Dimension 'Y' uses legs at default lowest height 4" below the unit with glass beginning 10" above the floor. Increase leg height and Y dimension for higher viewing window.

		X	Y	Z	
				Flat Installation	Recess Installation (4" Max)
45	Inch	43 ⁹ / ₁₆	32 ⁸ / ₁₆	19 ⁹ / ₁₆	23 ⁹ / ₁₆
	mm	1093	826	497	598
50	Inch	50 ⁴ / ₁₆	32 ⁸ / ₁₆	19 ⁹ / ₁₆	23 ⁹ / ₁₆
	mm	1276	826	497	598
60	Inch	60 ² / ₁₆	32 ⁸ / ₁₆	19 ⁹ / ₁₆	23 ⁹ / ₁₆
	mm	1527	826	497	598
70	Inch	69 ¹⁵ / ₁₆	32 ⁸ / ₁₆	19 ⁹ / ₁₆	23 ⁹ / ₁₆
	mm	1776	826	497	598
80	Inch	82 ⁹ / ₁₆	32 ⁸ / ₁₆	19 ⁹ / ₁₆	23 ⁹ / ₁₆
	mm	2097	826	497	598
100	Inch	99 ⁸ / ₁₆	32 ⁸ / ₁₆	19 ⁹ / ₁₆	23 ⁹ / ₁₆
	mm	2527	826	497	598