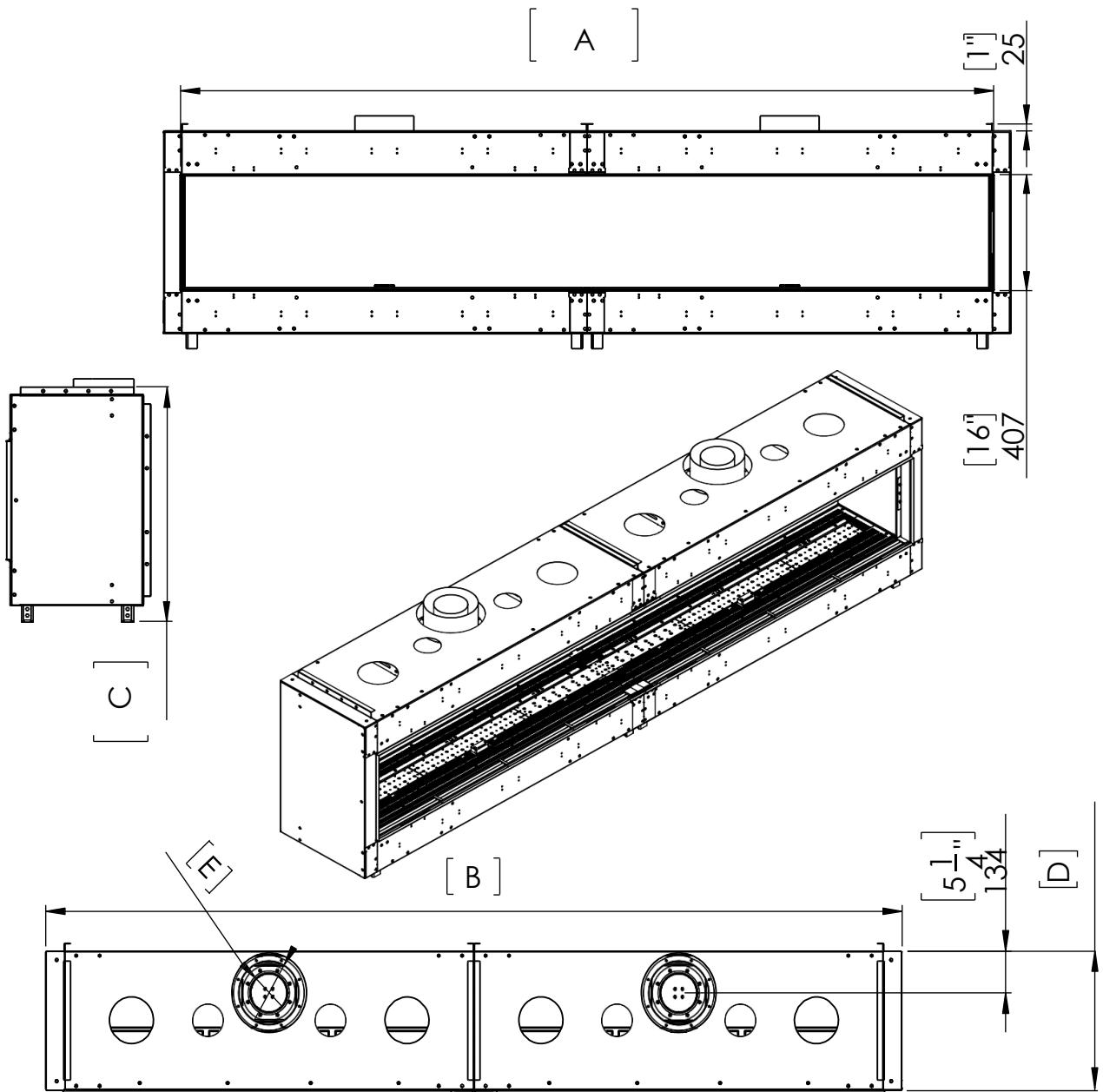
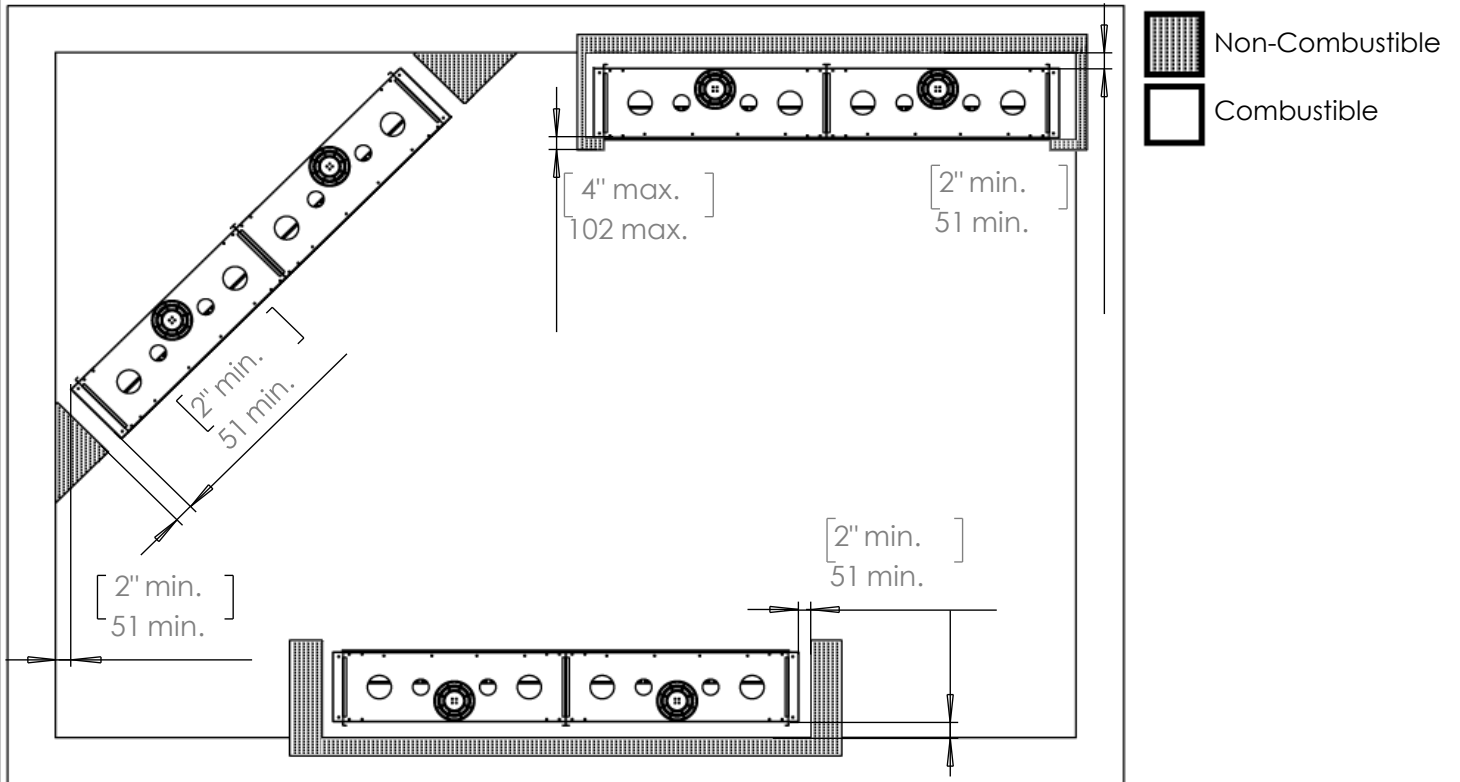


Fireplace Dimensions



Model	120	140	160	200
A- Inch	110 ⁵ / ₁₆	130	155 ⁵ / ₁₆	189 ¹ / ₁₆
B- Inch	115 ¹ / ₁₆	134 ¹² / ₁₆	159 ¹⁵ / ₁₆	193 ¹² / ₁₆
C- Inch	31 ¹ / ₁₆	31 ¹ / ₁₆	31 ¹ / ₁₆	31 ¹ / ₁₆
D- Inch	17 ⁹ / ₁₆	17 ⁹ / ₁₆	17 ⁹ / ₁₆	17 ⁹ / ₁₆
E- Inch	5x8	5x8	5x8	5x8

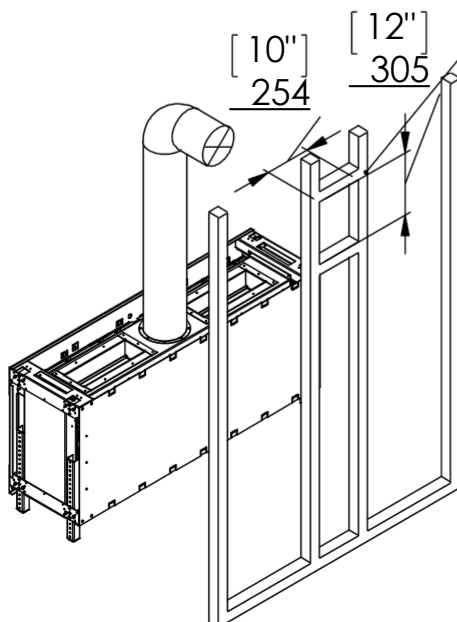
Clearances to Finishing Materials



Chimney Installation

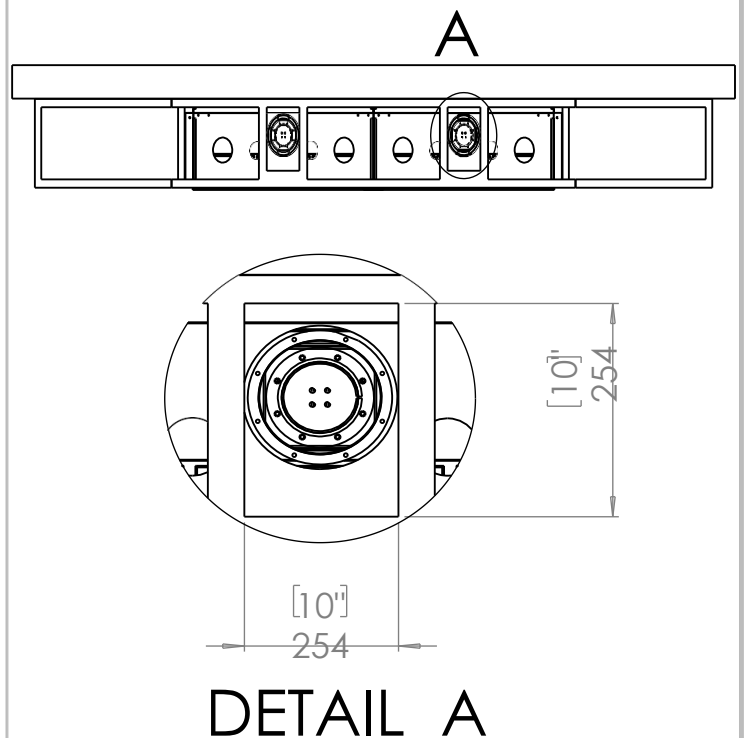
Horizontal Termination

For 5 x 8 vent size create 10" x 12" vent termination opening

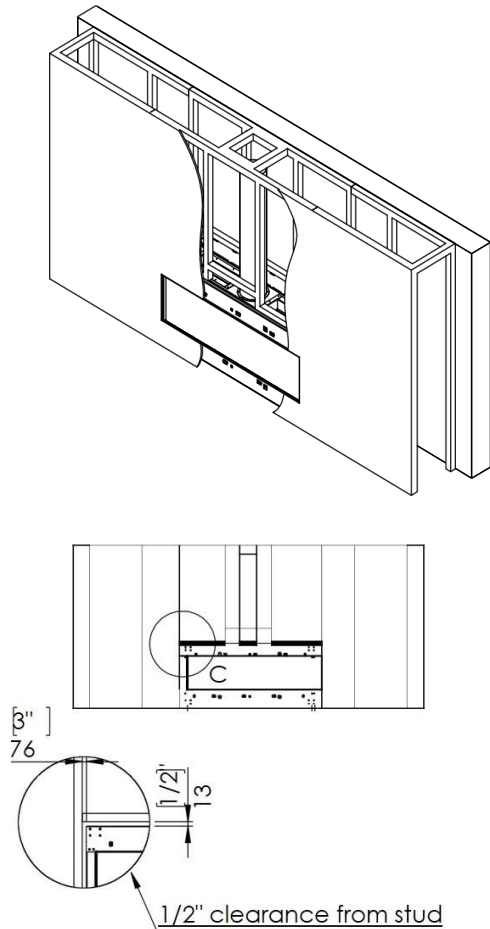


Vertical Termination

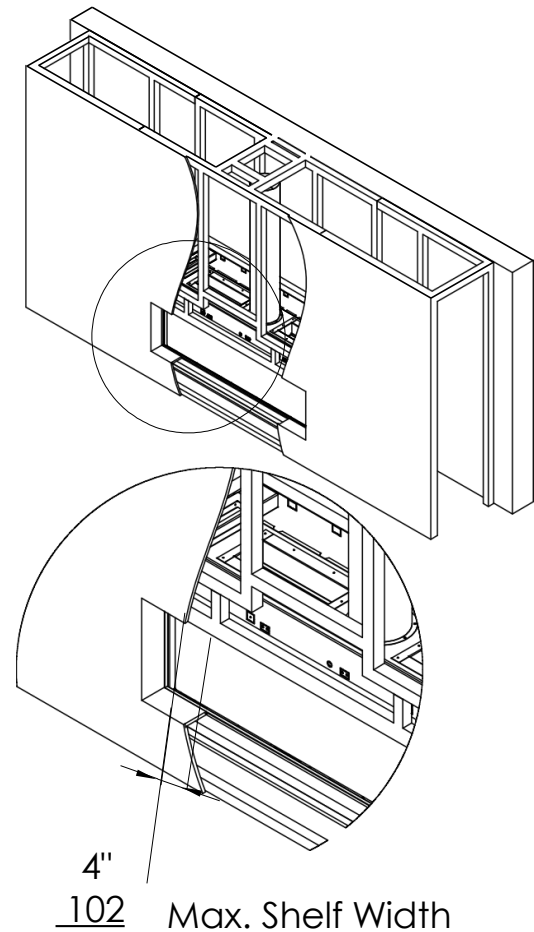
For 5 x 8 vent size, create 10" x 12" vent termination openings



Flat Installation Example



L Shape Installation Example



Heat Release and Air Intakes

The following sizes MUST be maintained for the upper heat release:

For fireplaces 160" & 200" – open vent area must be at least 400 square inches.

For fireplaces 120" & 140" – open vent area must be at least 280 square inches.

The following sizes MUST be maintained for the lower air intake:

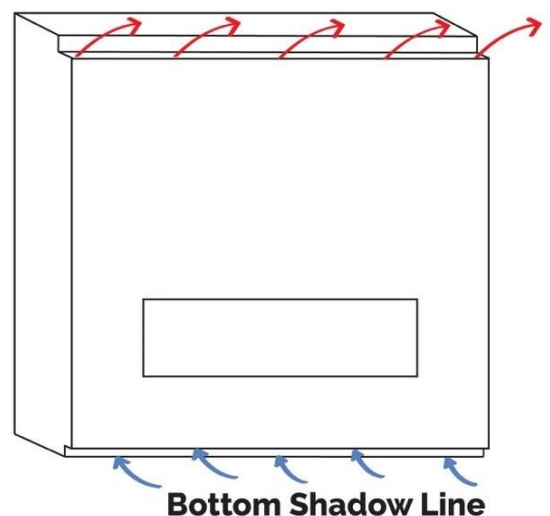
For fireplaces 160" & 200" – open vent area must be at least 200 square inches.

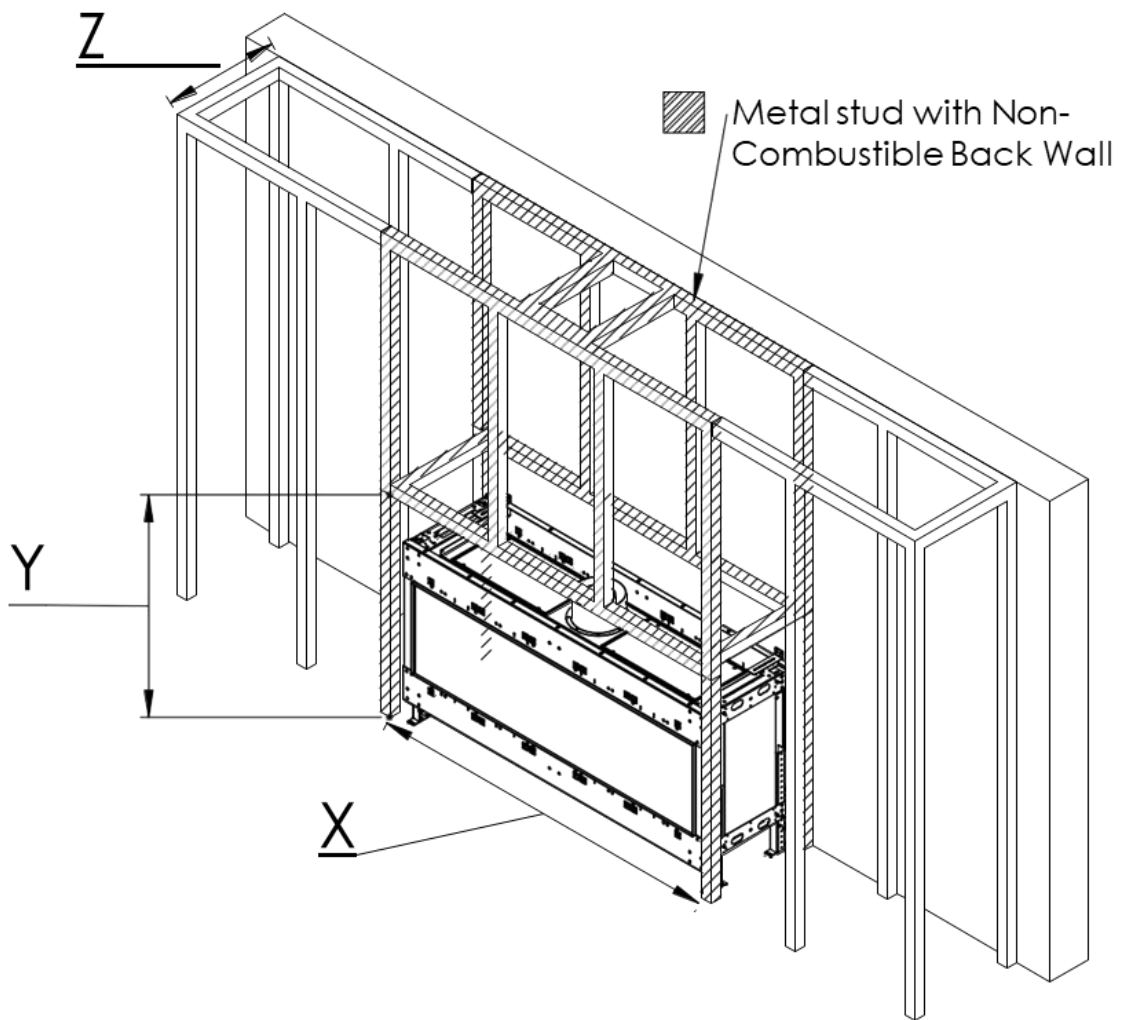
For fireplaces 120" & 140" - open vent area must be at least 140 square inches.

NOTE: Openings above for Heat Release and Air Intake are measured for open air space. **BE SURE TO CALCULATE FOR RESTRICTIONS IN GRATING.**

NOTE: For cooler operating wall temperature and Double Glass Safety Barrier, it is recommended to exceed the minimum requirements above.

Top Shadow Line





NOTE: Dimension 'Y' uses fireplace at default lowest height with glass viewing window beginning 8 ¼" above the floor. Any higher viewing windows must have a platform created to raise fireplace off the floor and increase the value of 'Y' to accommodate any increase.

		X	Y	Z	
				Flat Installation	Recess Installation (4" Max)
120	Inch	116 ¹ / ₁₆	31 ⁹ / ₁₆	19 ⁹ / ₁₆	23 ⁹ / ₁₆
	mm	2913	802	497	598
140	Inch	135 ¹² / ₁₆	31 ⁹ / ₁₆	19 ⁹ / ₁₆	23 ⁹ / ₁₆
	mm	3448	802	497	598
160	Inch	160 ¹⁵ / ₁₆	31 ⁹ / ₁₆	19 ⁹ / ₁₆	23 ⁹ / ₁₆
	mm	4088	802	497	598
200	Inch	194 ¹² / ₁₆	31 ⁹ / ₁₆	19 ⁹ / ₁₆	23 ⁹ / ₁₆
	mm	4947	802	497	598