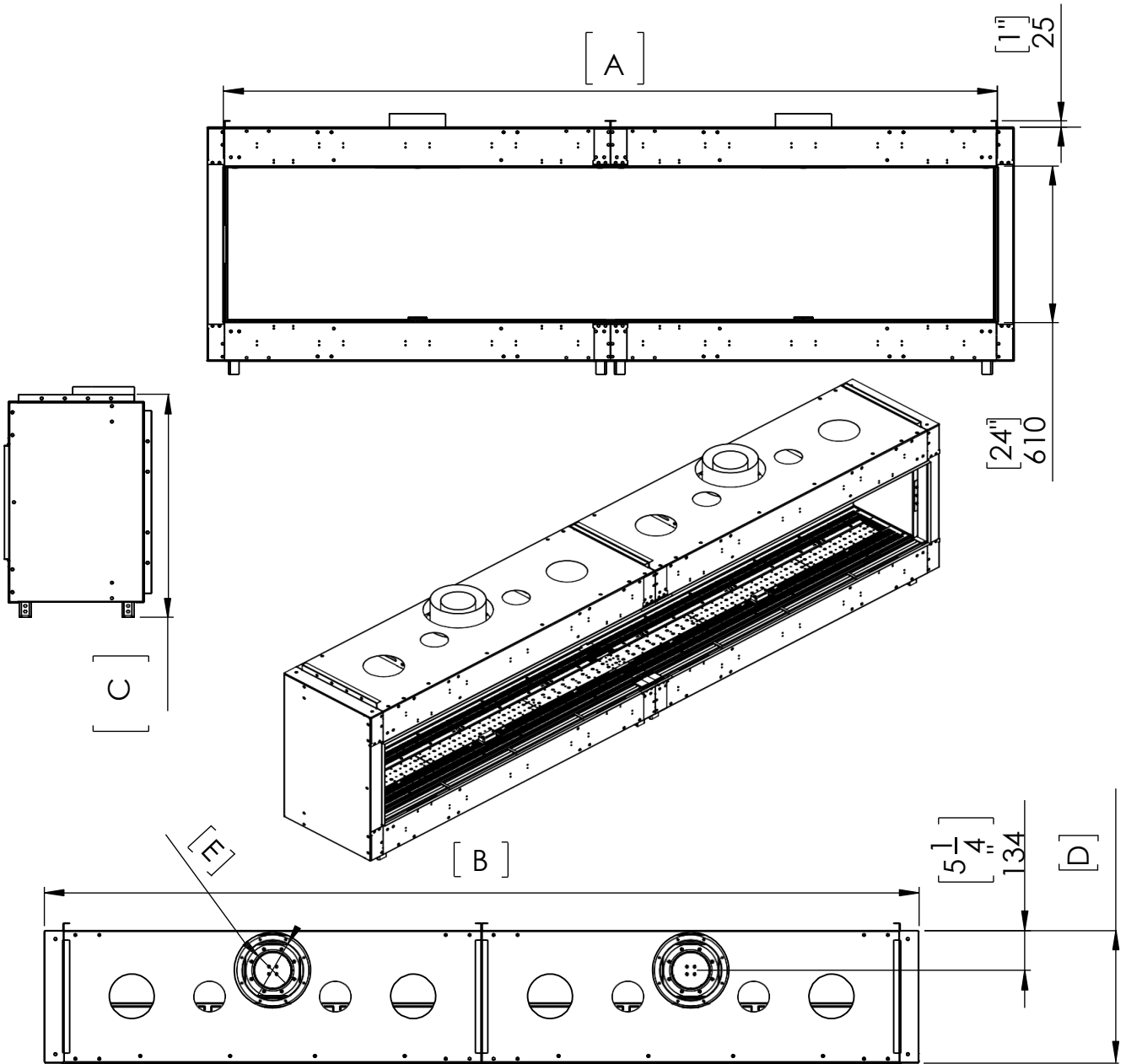
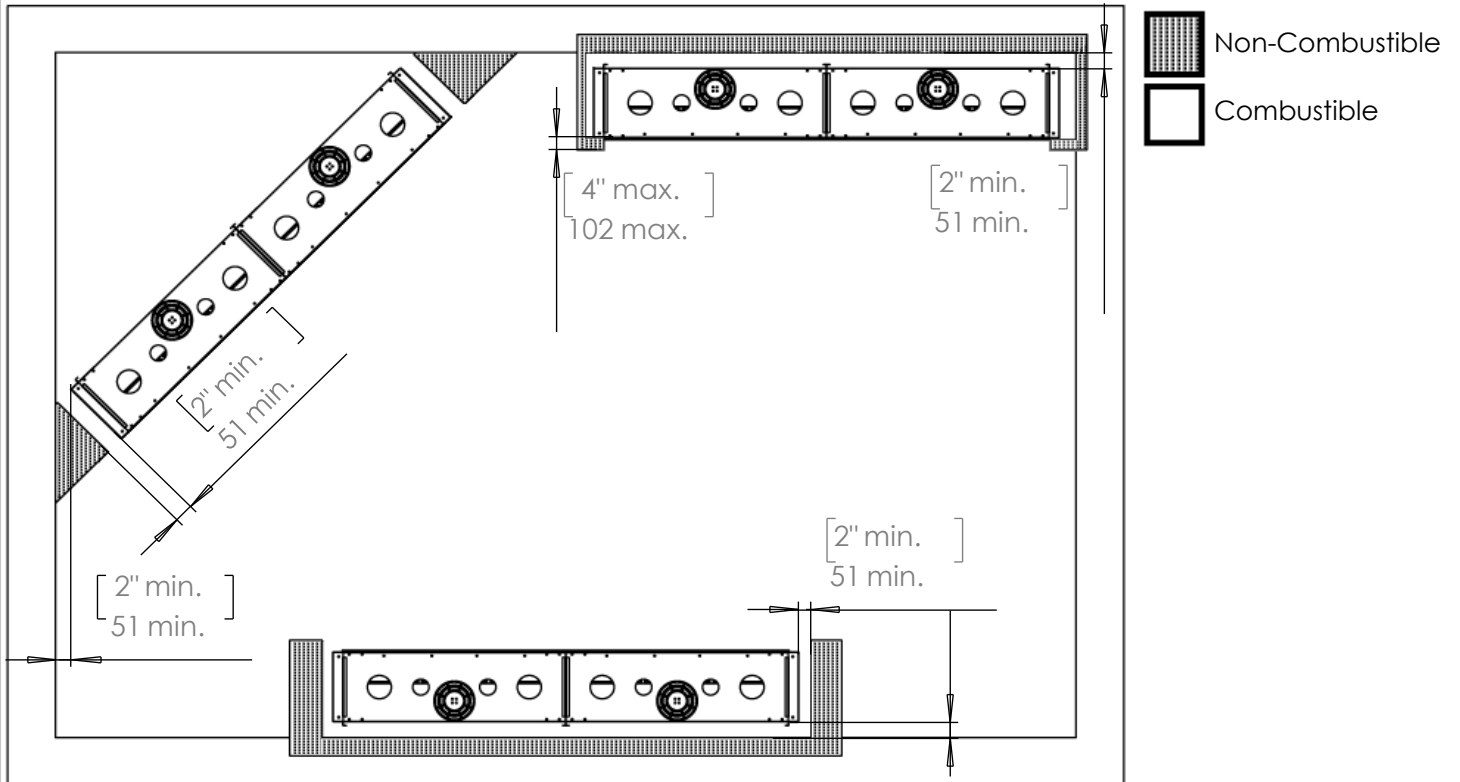


Fireplace Dimensions



Model	120	140	160	200
A- Inch	110 ^{5/16}	130	155 ^{3/16}	189 ^{1/16}
B- Inch	115 ^{1/16}	134 ^{12/16}	159 ^{15/16}	193 ^{12/16}
C- Inch	38 ^{15/16}	38 ^{15/16}	38 ^{15/16}	38 ^{15/16}
D- Inch	17 ^{9/16}	17 ^{9/16}	17 ^{9/16}	17 ^{9/16}
E- Inch	5x8	5x8	5x8	5x8

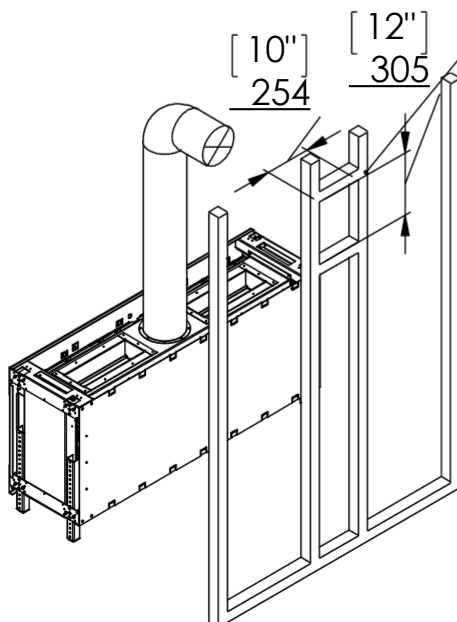
Clearances to Finishing Materials



Chimney Installation

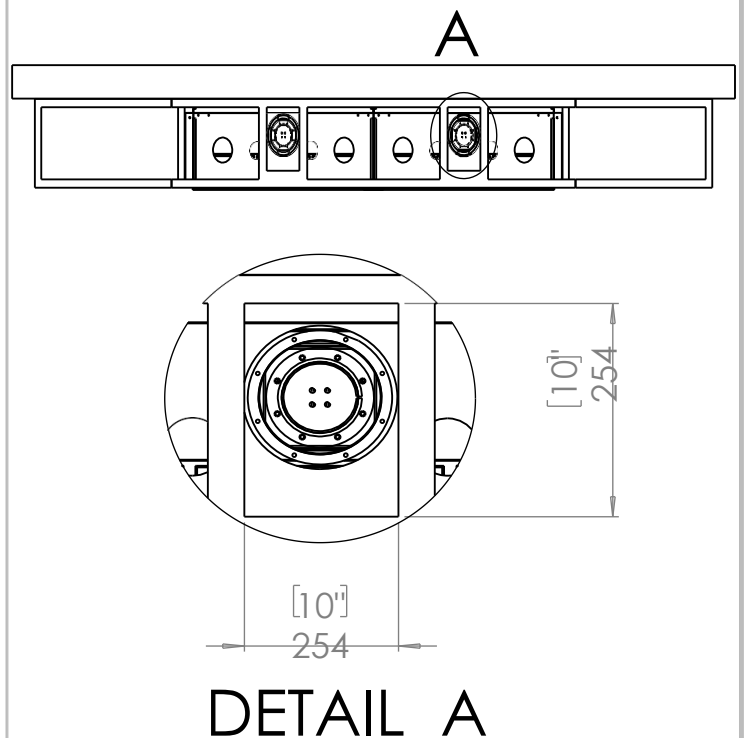
Horizontal Termination

For 5 x 8 vent size create 10" x 12" vent termination opening

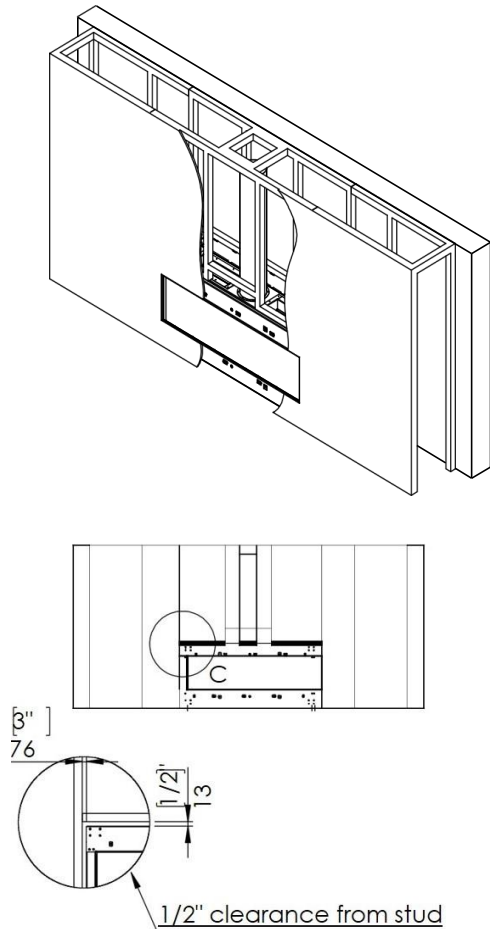


Vertical Termination

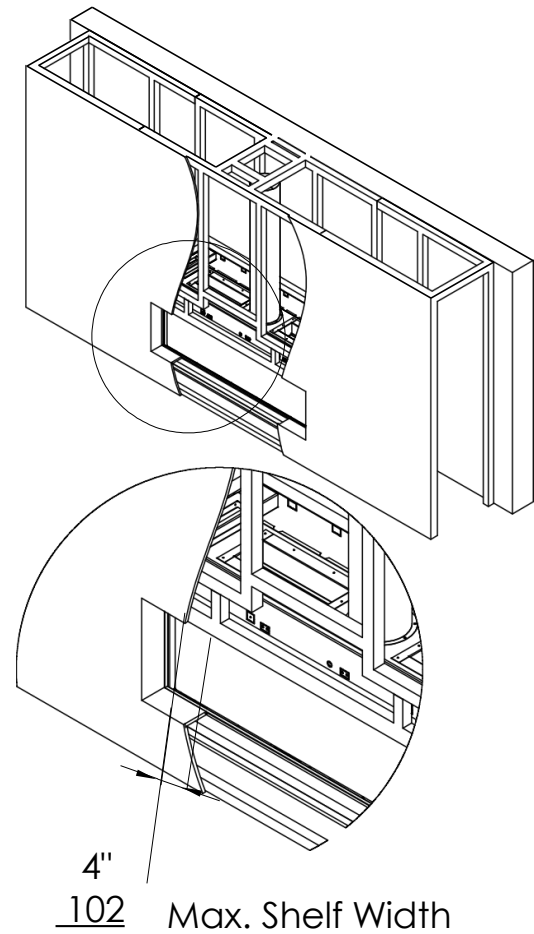
For 5 x 8 vent size, create 10" x 12" vent termination openings



Flat Installation Example



L Shape Installation Example



Heat Release and Air Intakes

The following sizes MUST be maintained for the upper heat release:

For fireplaces 160" & 200" – open vent area must be at least 400 square inches.

For fireplaces 120" & 140" – open vent area must be at least 280 square inches.

The following sizes MUST be maintained for the lower air intake:

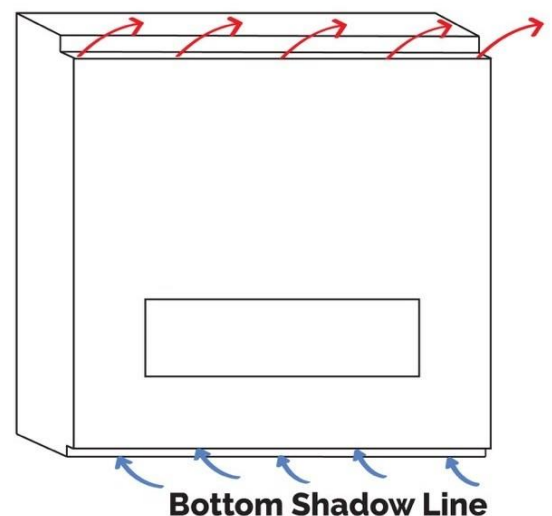
For fireplaces 160" & 200" – open vent area must be at least 200 square inches.

For fireplaces 120" & 140" - open vent area must be at least 140 square inches.

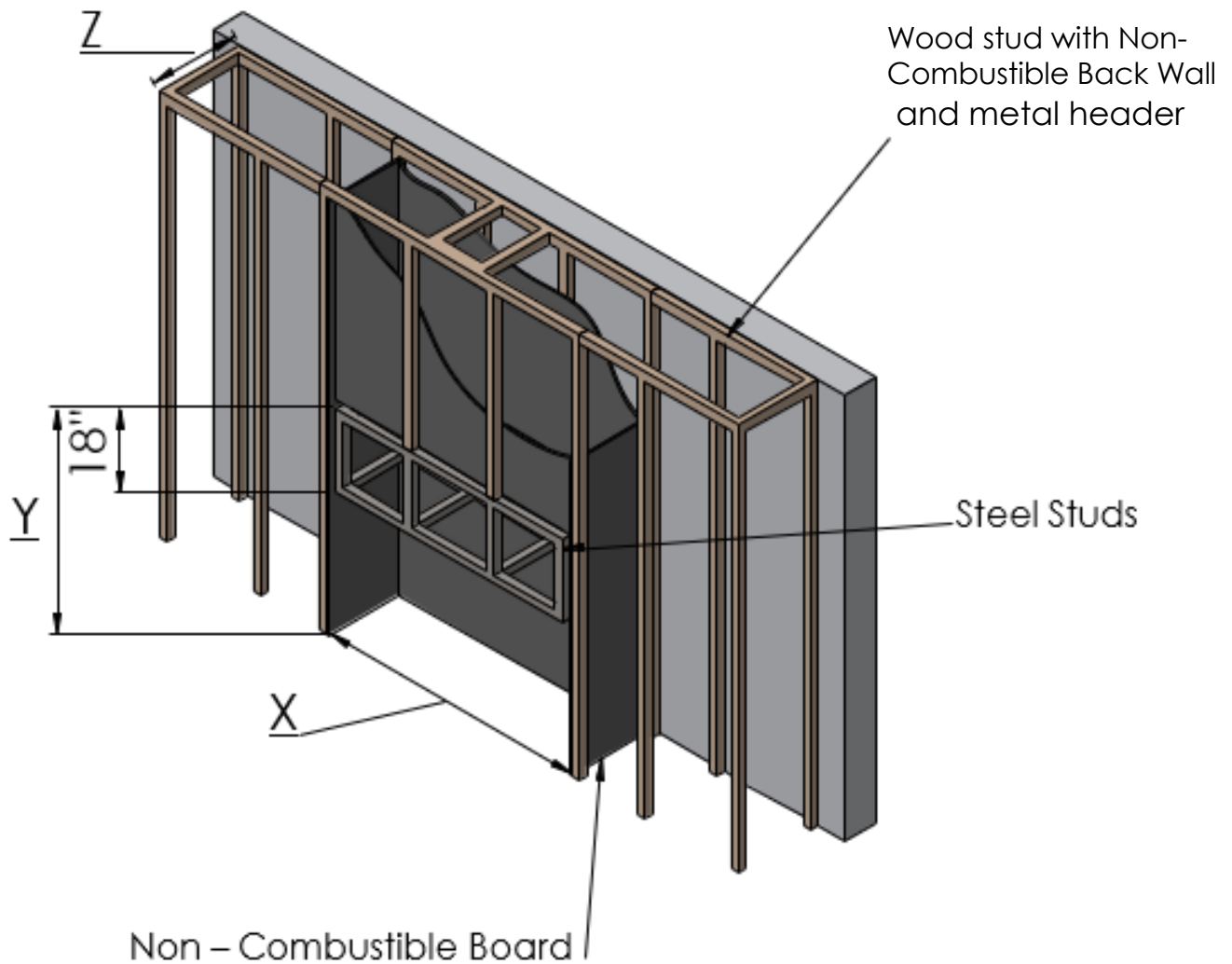
NOTE: Openings above for Heat Release and Air Intake are measured for open air space. **BE SURE TO CALCULATE FOR RESTRICTIONS IN GRATING.**

NOTE: For cooler operating wall temperature and Double Glass Safety Barrier, it is recommended to exceed the minimum requirements above.

Top Shadow Line



Wood Framing Dimensions



NOTE: Dimension 'Y' uses fireplace at default lowest height with glass viewing window beginning 8 ¼" above the floor. Any higher viewing windows must have a platform created to raise fireplace off the floor and increase the value of 'Y' to accommodate any increase.

		X	Y	Z	
				Flat Installation	Recess Installation (4" Max)
120	Inch	121 1/16	57 7/16	20 9/16	24 9/16
	mm	3039	1459	522	624
140	Inch	140 12/16	57 7/16	20 9/16	24 9/16
	mm	3575	1459	522	624
160	Inch	165 15/16	57 7/16	20 9/16	24 9/16
	mm	4215	1459	522	624
200	Inch	199 12/16	57 7/16	20 9/16	24 9/16
	mm	5074	1459	522	624