

# FLARE FIREPLACES

---



**FLARE** FIREPLACES SERVICE BULLETIN  
*ACTIVE – HEAT FLEX INSTALLATION (V 3.4)*

CSA Approved

Safety and Quality First

Service Technician Use Only

Contact Flare Fireplaces for  
Support

Flare Fireplaces, LLC.

890 N Dorothy Dr.

Richardson, TX, 75081

1 (866) 639-1590

**Caution:** Read and understand this service bulletin thoroughly before beginning. Only a trained, and experienced service technician should attempt this procedure

# FLARE FIREPLACES

## CONTENTS

ACTIVE HEAT FLEX .....	11
ACTIVE HEAT FLEX – COLLAR AND FAN CHART .....	12
ACTIVE HEAT FLEX – FRAMING CLEARANCES & MATERIALS .....	13
ACTIVE – HEAT FLEX COMPONENTS.....	14
INCLUDED WITH KIT .....	14
PURCHASED SEPARATELY FROM KIT .....	15
STEP 1 – HEAT FLEX FAN FRAMING DIMENSIONS.....	16
STEP 2 – HEAT FLEX COVERS .....	17
STEP 3 – ADAPTER PLATES .....	18
STEP 4 – FLEX PIPES.....	19
STEP 5 – CONTROL MODULES .....	20
STEP 6 – TEMPERATURE SENSOR.....	21
ELECTRICAL .....	22
HEAT FLEX BOARD ELECTRICAL .....	22
SCREEN .....	23
SCREEN + POWER VENT .....	24
DOUBLE GLASS ACTIVE.....	25
DOUBLE GLASS ACTIVE + POWER VENT .....	26
DOUBLE GLASS PASSIVE + POWER VENT .....	27
ACTIVE HEAT FLEX TERMINATION CLEARANCES .....	28
REPLACEMENT PARTS LIST .....	29

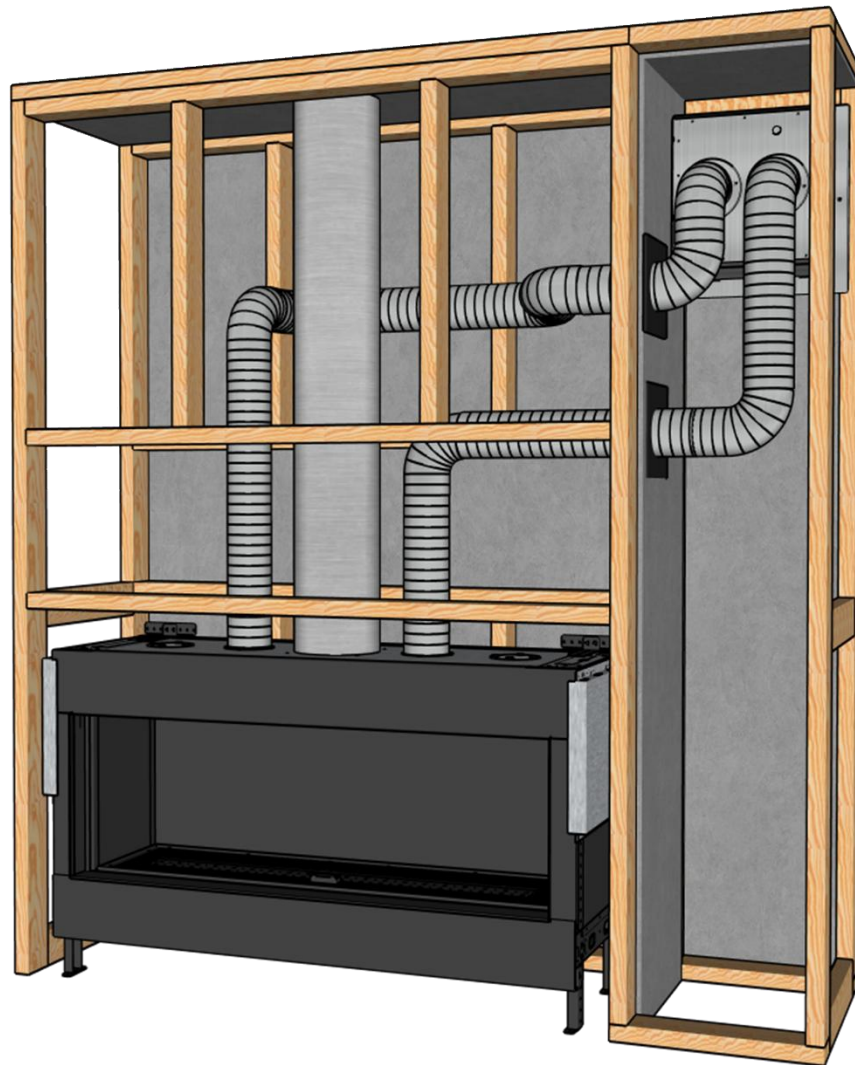
# FLARE

## FIREPLACES

---

### ACTIVE HEAT FLEX

The [Active Heat Flex](#) system efficiently redirects heat away from the top of the fireplace and actively dumps it outside. A sheet metal topper captures rising heat, which is then transferred through ducting to a monitored, fan-powered, termination. An included temperature sensor allows this system to remove the heat release, while allowing you to frame and finish around the fireplace with combustible materials, ensuring both safety and design flexibility.



### ACTIVE HEAT FLEX – COLLAR AND FAN CHART

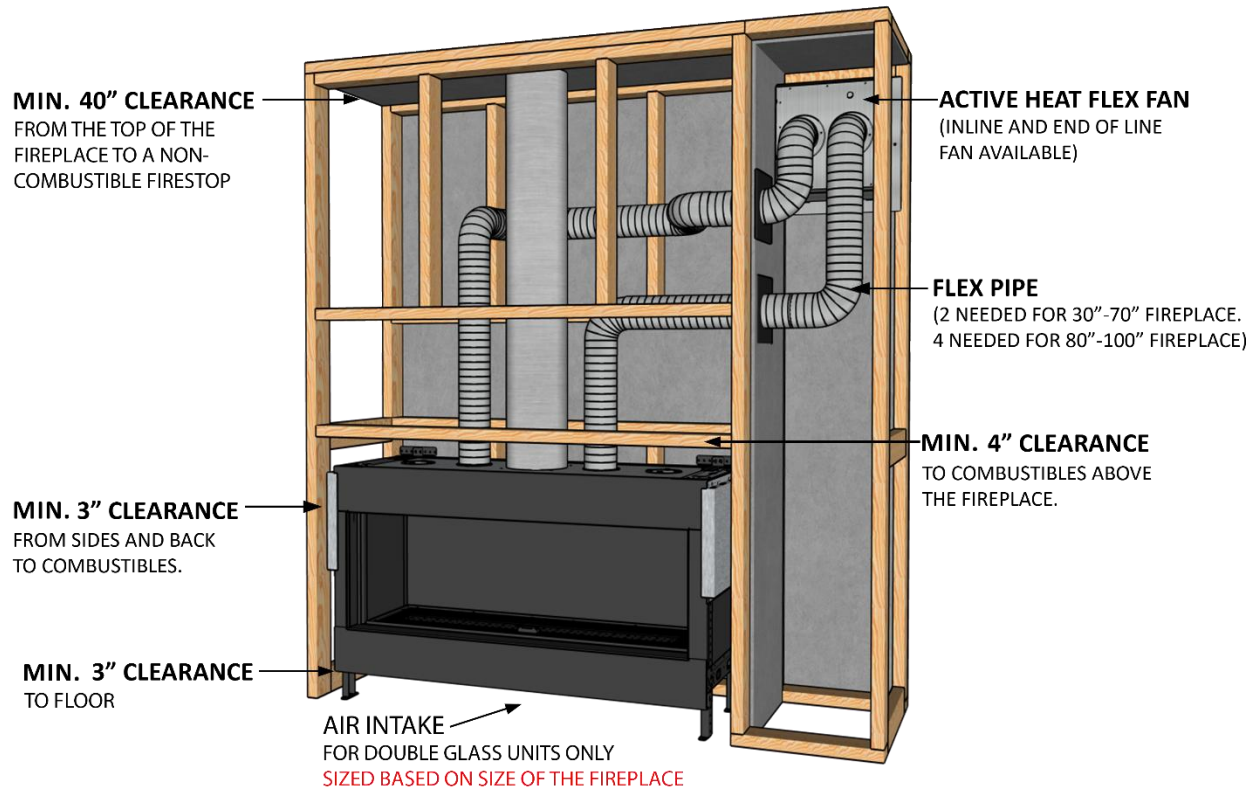
Flare Model	Heat Flex - Active			
	Part Name	AHF Fan Quantity	Flex Pipe Size	Flex Pipe Adapters
Flare 25	HFA-25	1	4"	2
Flare 30	HFA-30	1	4"	2
Flare 45	HFA-45	1	4"	2
Flare 50	HFS-50	1	4"	2
Passage	HFS-50	1	4"	2
Traditional	HFS-50	1	4"	2
Flare 60	HFA-60	1	4"	2
Flare 70	HFA-70	1	6"	2
Flare 80	HFA-80	1	6"	4
Flare 100	HFA-100	1	6"	4

# FLARE FIREPLACES

## ACTIVE HEAT FLEX – FRAMING CLEARANCES & MATERIALS

The following outlines clearances and materials important for a safe and successful Heat Flex installation.

- 3" minimum to uncovered wood studs on the sides and back of the fireplace.
- 40" minimum cavity height above the fireplace.
- 4" minimum to combustible header above the fireplace.
- No heat release required.
- Air intake only necessary for Double Glass equipped fireplaces
- Shelf enclosures are not permitted using heat flex systems.

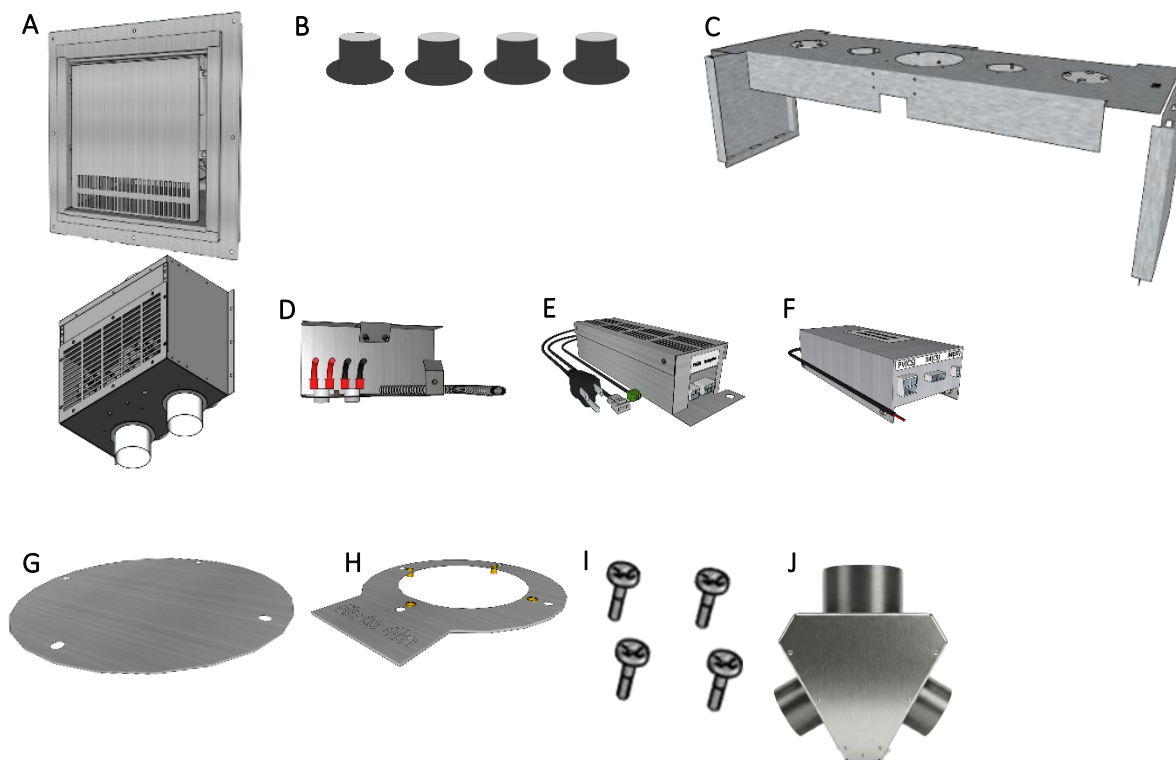


# FLARE FIREPLACES

## ACTIVE – HEAT FLEX COMPONENTS

### INCLUDED WITH KIT

- A. End of Line or Inline Active Heat Flex Fan
- B. Flex pipe adapters  
*2 for 25" – 70" fireplaces and 4 for 80" – 100" fireplaces.*
- C. Active heat flex top and side cover(s)
- D. Temperature Sensor
- E. Power vent board (*only for power vent equipped systems*)
- F. Heat flex control board
- G. 6" Cover Plate
- H. 6" – 4" Adapter Plate
- I. Screws
- J. Flex Pipe Splitter  
*For 80" – 100" fireplaces*



# FLARE

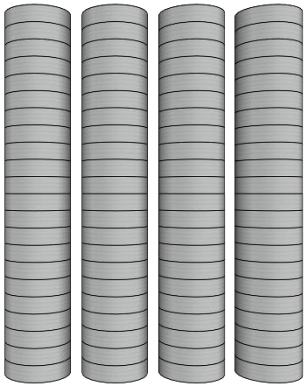
## FIREPLACES

---

PURCHASED SEPARATELY FROM KIT

- A. Flex pipe, 2 or 4 of each depending on the size of the fireplace. ([4DFA25](#), [6DFA25](#))
- B. Armored High Voltage ([PVCBLHV](#))

A



B



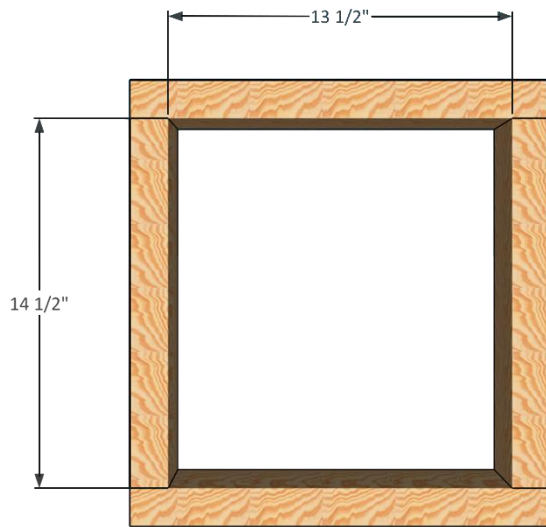
### NOTE

Any flex pipe meeting the UL1777 standard is acceptable.

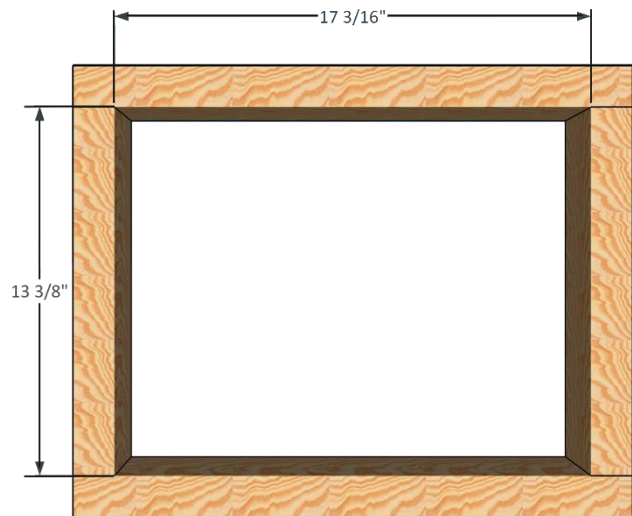
## STEP 1 – HEAT FLEX FAN FRAMING DIMENSIONS

The end of line or inline active heat flex fan can be mounted inside the heat chamber, at least 35 inches above the fireplace, or up to 80 feet away from the fireplace in an adjacent interior space, on a side wall, where the termination and service access are facing the exterior.

**End of Line Framing Cutout: 13 1/2" x 14 1/2"**



**Inline Framing Cutout: 17 3/16" x 13 3/8"**



### NOTE

The active heat flex fan must be wired to the control board for power and to maintain safety monitoring. Flare offers an armored high voltage cable that can be purchased with the kit to simplify installation ([PVCBLHV](#)). Though you can purchase this cable locally too.

# FLARE FIREPLACES

---

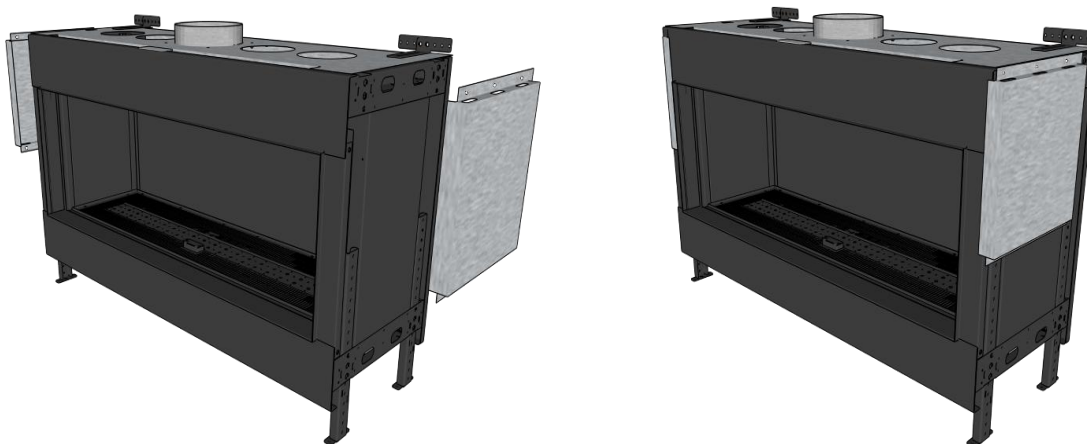
## STEP 2 – HEAT FLEX COVERS

Next, attach the active heat flex cover and sides to the fireplace.

1. Dettach the fireplace mounting brackets.
2. Place the cover on top of the fireplace and secure by reattaching your mounting brackets.



3. Mount and attach the side panels using self-tapping screws.



### NOTE

Some fireplaces will require you to combine two smaller covers into one.

# FLARE FIREPLACES

---

## STEP 3 – ADAPTER PLATES

Next attach the 6" cover plates, 6" – 4" adapter plates, and 4" adapters to the active heat flex cover based on the fireplace size and heat flex system configuration.

### For 25"–60" fireplaces:

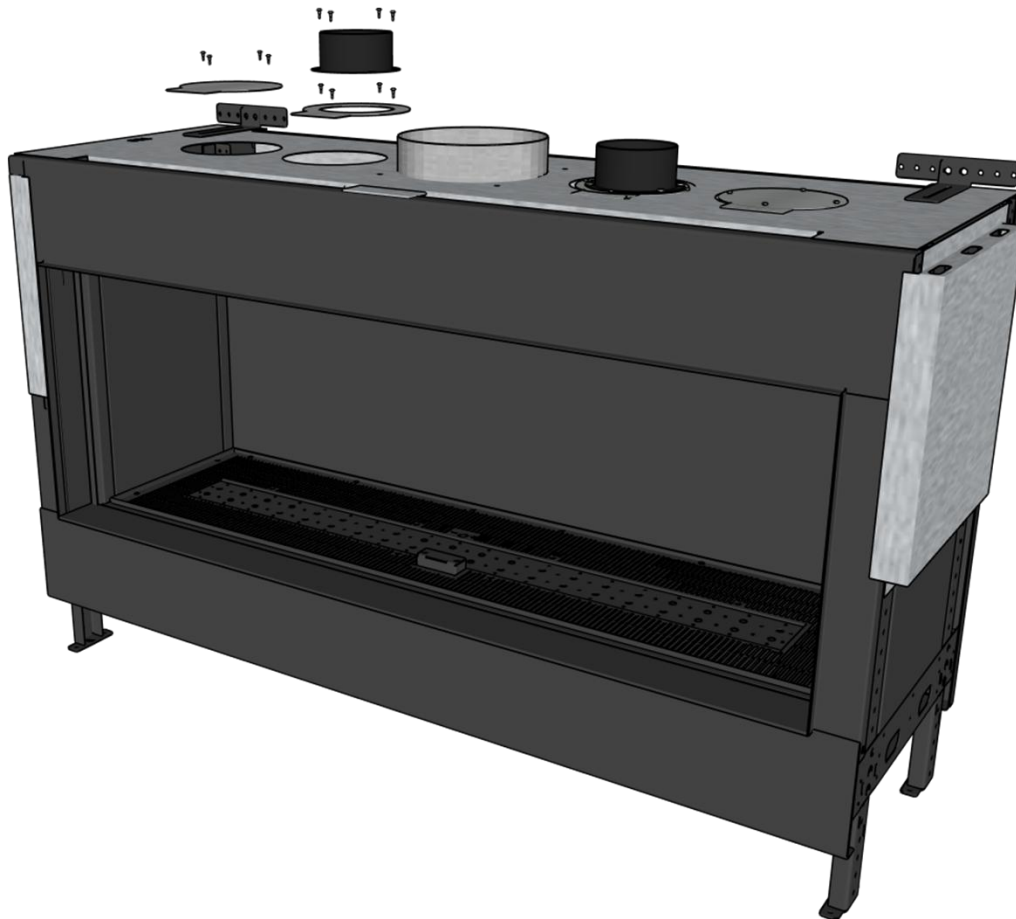
1. Attach two 6" cover plates over the outer active heat flex cover openings.
2. Attach two 6"–4" adapter plates over the inner active heat flex cover openings nearest the vent pipe.
3. Secure two 4" adapters onto the 6"–4" adapter plates to prepare for flex pipe installation.

### For 70" fireplaces:

1. Attach two 6" cover plates over the outer active heat flex cover openings.
2. Attach two 6" adapters over the inner active heat flex cover openings nearest the vent pipe.

### For 80"–100" fireplaces:

1. Attach four 6" adapters over all active heat flex cover openings to prepare for flex pipe installation.



# FLARE

## FIREPLACES

### STEP 4 – FLEX PIPES

Run flex pipe between fireplace and the active heat flex fan, then attach by screwing flex pipe into the adapters.

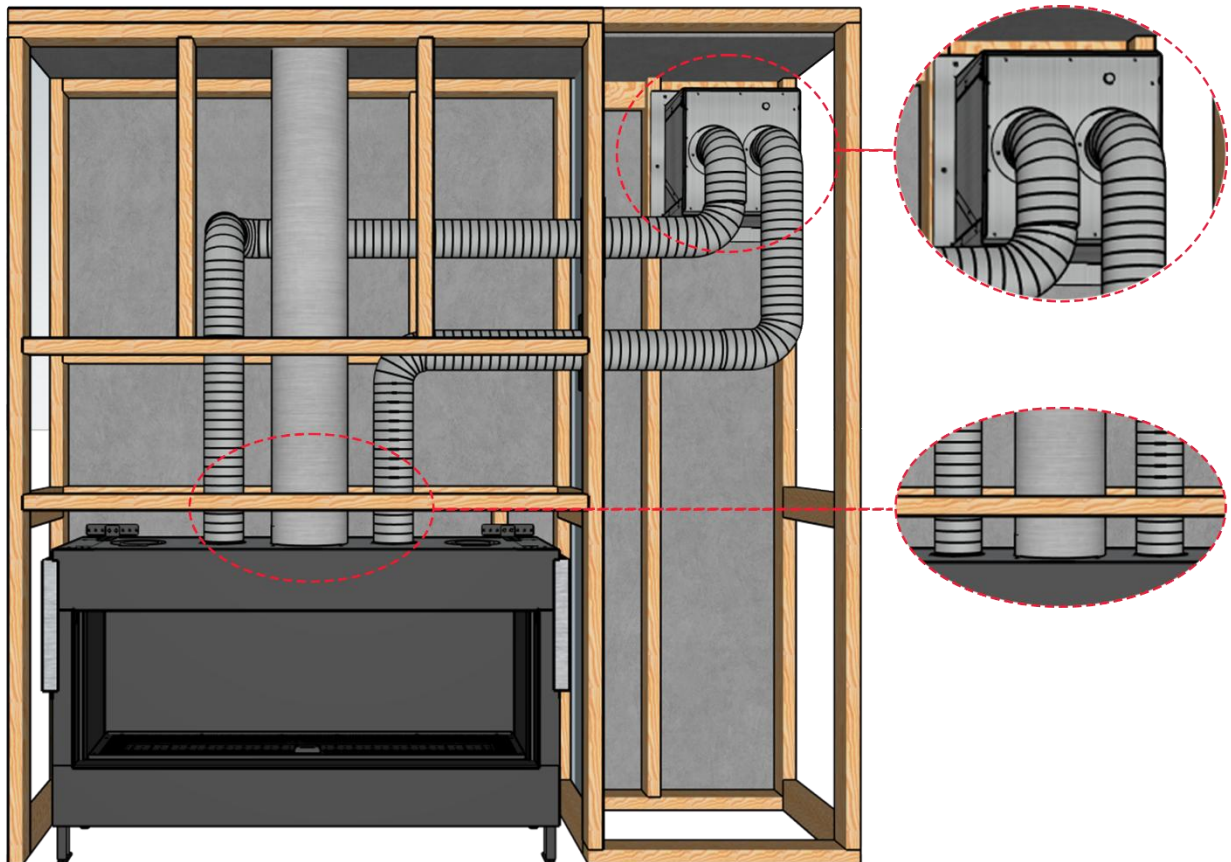
**25"–60" fireplaces:** Two 4" flex pipes run to a single Active Heat Flex fan.

**70" fireplaces:** Two 6" flex pipes run to a single Active Heat Flex fan.

**80"–100" fireplaces:** Four 6" flex pipes run to a splitter that connects to a single Active Heat Flex fan.

### NOTE

The active heat flex fan must be positioned no lower than 35" above the fireplace, and outside of the heat chamber to avoid excess noise from the fan, or damage to the fan in the event of a failure. Any flex pipe meeting the UL1777 standard is acceptable.

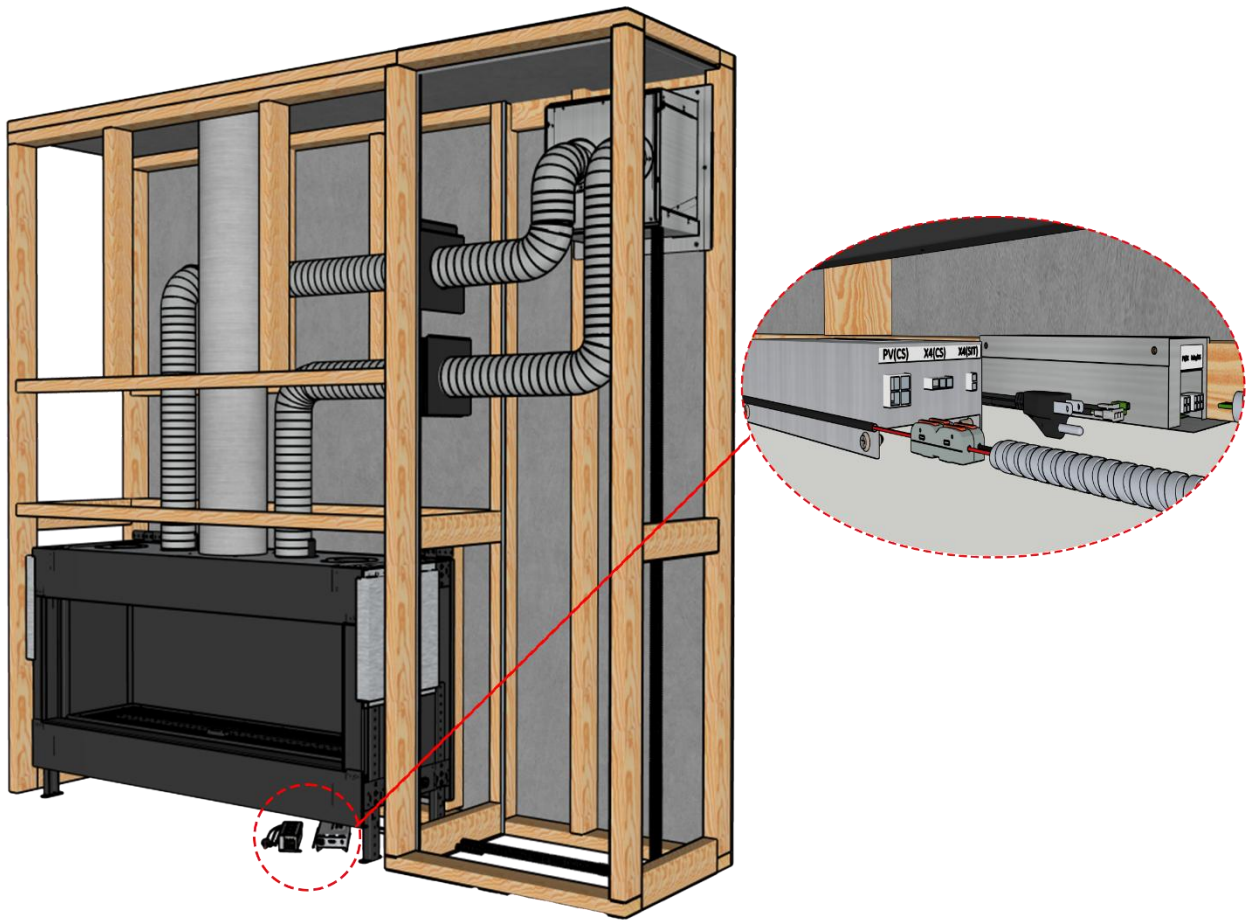


# FLARE

## FIREPLACES

### STEP 5 – CONTROL MODULES

Next, wire the active heat flex fan directly to the Flare heat flex board for power. Run a metal clad 14-3 AWG wire (PVCBLHV) through the framing and down to the fireplace control board. Wire-nut black to black, red to red, green to green, and white to white.



### NOTE

Flare recommends installing the Active Heat Flex fan in a location separate from the fireplace, positioned further away to minimize noise. The drawing above is intended only as an illustration to show how the components connect and work together. It should not be used as a literal placement guide.

# FLARE

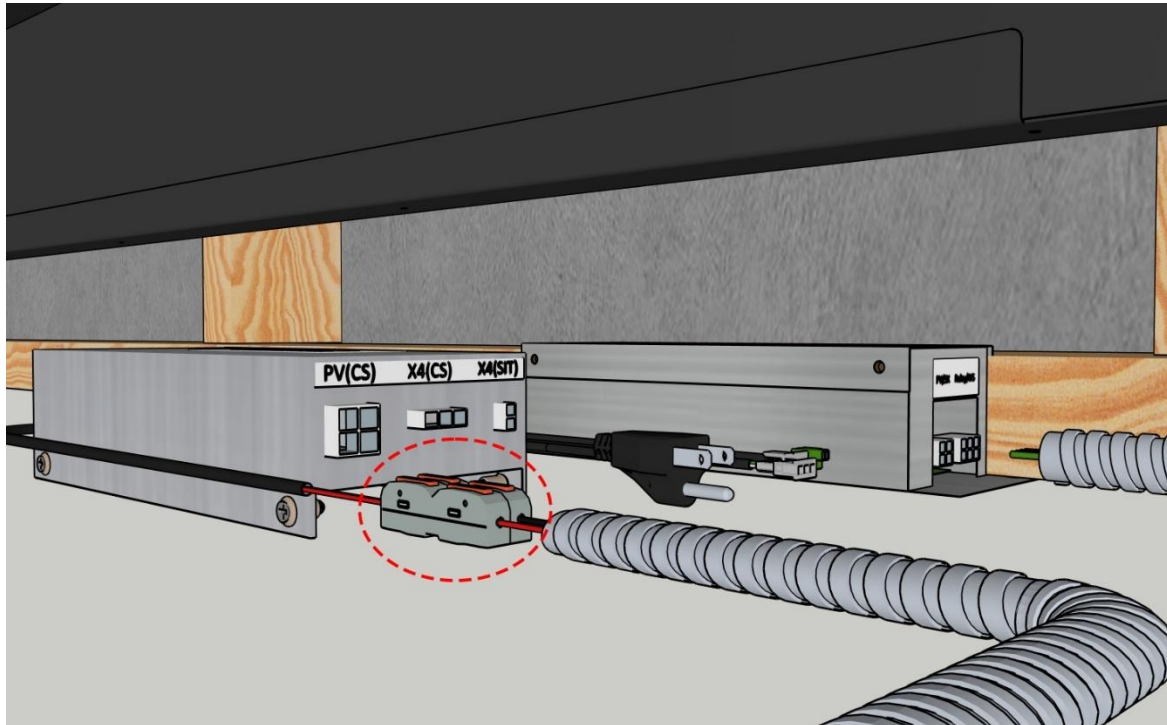
## FIREPLACES

---

### STEP 6 – TEMPERATURE SENSOR

Connect the fireplace temperature sensor to the Flare heat flex control board for monitoring. The temperature sensor cable runs from the right side of the fireplace, down to the floor. Using included lever connector, wire red to red and black to black.

Also connect any other systems, such as a power vent or double glass safety barrier (passive or active) according to the electrical diagrams found in the [Electrical](#) section of this manual.



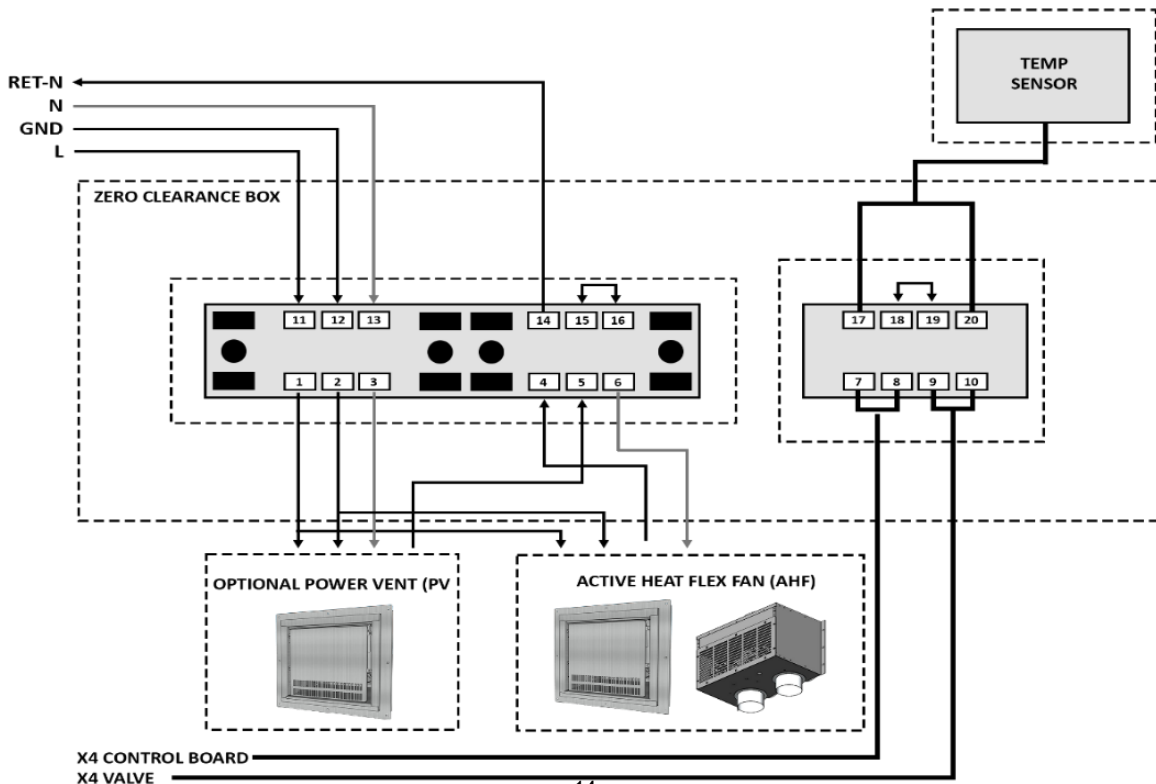
### ELECTRICAL

The following section outlines the electrical diagrams for each configuration available with the Active Heat Flex Kit.

### HEAT FLEX BOARD ELECTRICAL

The following electrical diagram outlines the connections to the heat flex board for the purpose of troubleshooting and service.

Heat Flex Control Board Wiring Legend			
1.	Line Out PV+AHF Side	11.	Line In AC110V
2.	GND Out PV+AHF Side	12.	Ground In
3.	Neutral Out AHF Side	13.	Neutral
4.	Ret-N AHF Side	14.	Ret-N
5.	Ret-N PV Side	15.	Jumper 1
6.	Neutral AHF Side	16.	Jumper 1
7.	X4 Control Board (Black Wire)	17.	Sensor Side (Red Wire)
8.	X4 Control Board (Red Wire)	18.	Jumper 2
9.	X4 SIT (Red Wire)	19.	Jumper 2
10.	X4 SIT (Black Wire)	20.	Sensor Side (Black Wire)



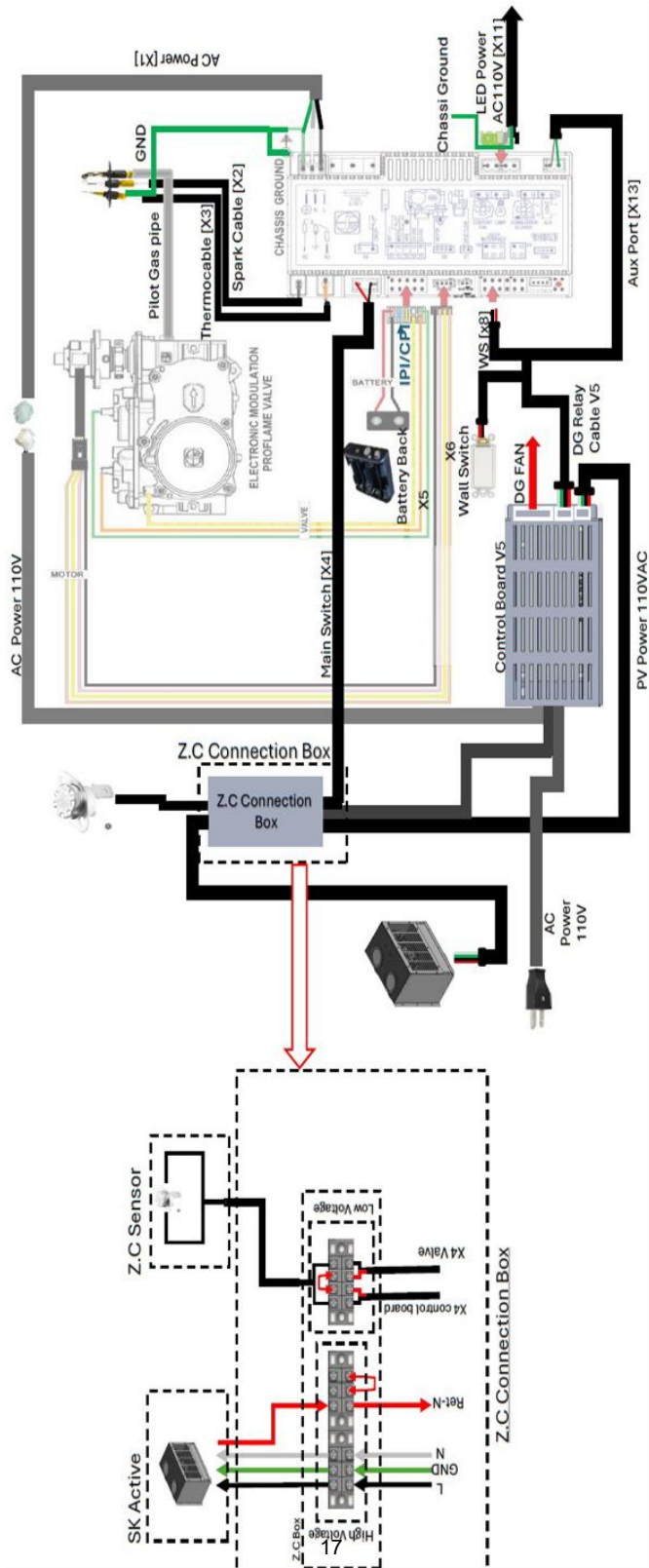




# FLARE

## FIREPLACES

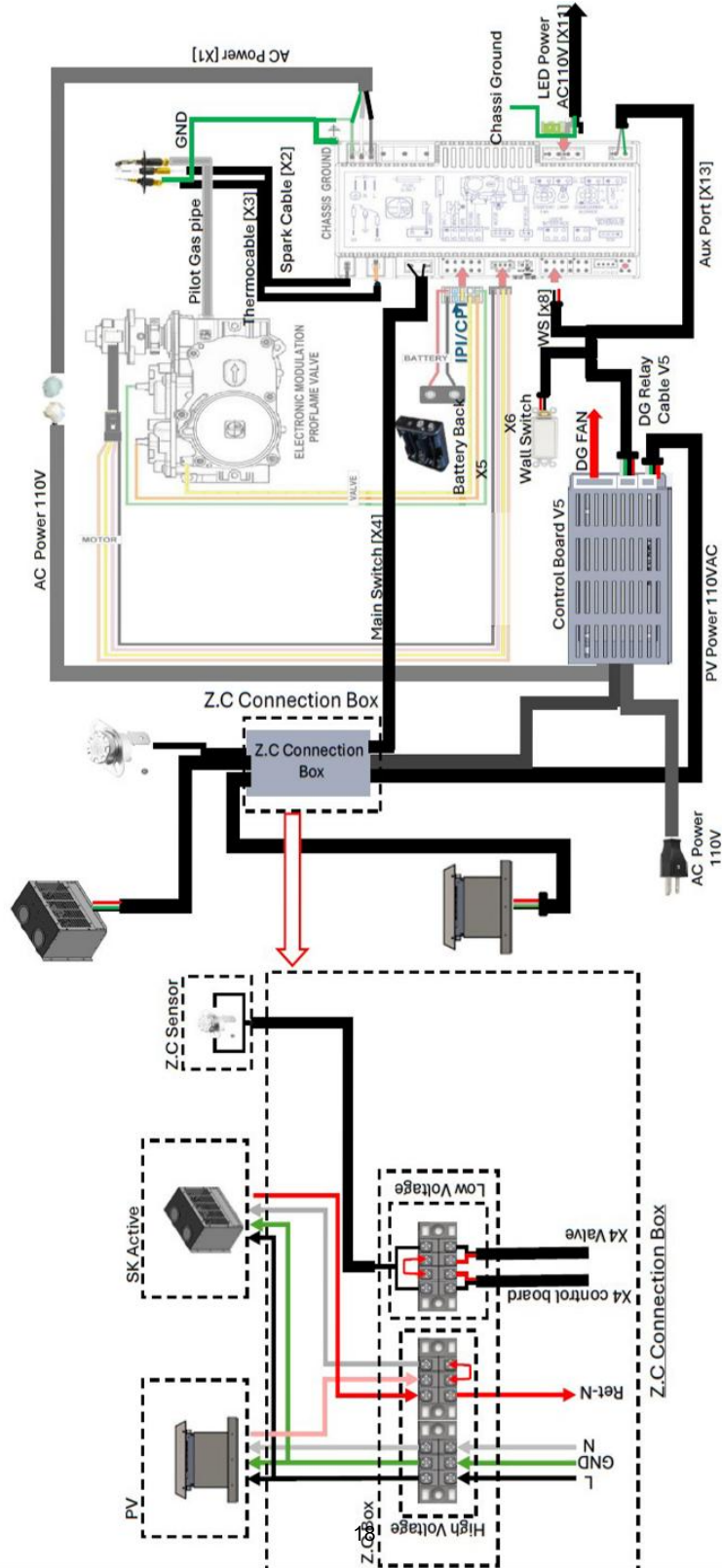
### DOUBLE GLASS ACTIVE



# FLARE

## FIREPLACES

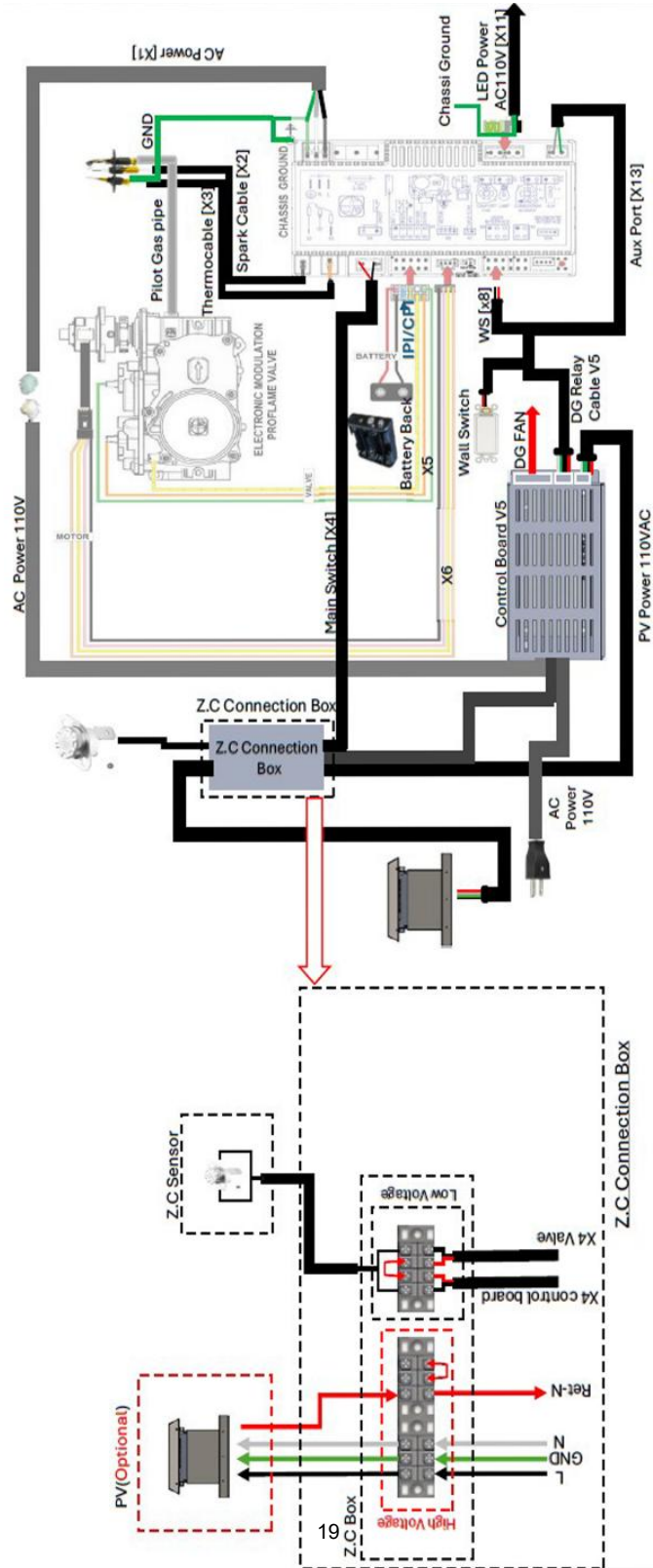
### DOUBLE GLASS ACTIVE + POWER VENT



# FLARE

## FIREPLACES

DOUBLE GLASS PASSIVE + POWER VENT



### ACTIVE HEAT FLEX TERMINATION CLEARANCES

The following outlines important termination clearances for the Active Heat Flex Fan.

- 24" clearance to a secondary termination pipe (Clearance can be 12" if both terminations are mechanical outlets and are not facing each other).
- Active Heat Flex Fan vent termination clearance is 12" above the floor.
- Active Heat Flex Fan termination must be a minimum of 5" away from the adjacent wall.
- Active Heat Flex Fan termination must have a 12" of clearance in front of exhaust.

### REPLACEMENT PARTS LIST

Model Size	Part Name	Description	SKU
25	ACT-IN-1	Active Heat Flex Inline Fan	ACTIN1
30			
45			
50			
Traditional			
Passage			
60			
70	ACT-IN-2	Large Active Heat Flex Inline Fan	ACTIN2
80			
100			
25	ACT-EOL-1	Active Heat Flex End of Line Fan	ACTEOL1
30			
45			
50			
Traditional			
Passage			
60			
70	ACT-EOL-2	Large Active Heat Flex End of Line Fan	ACTEOL2
80			
100			

# FLARE

## FIREPLACES

---

Part Name	Description	SKU
HF-BRD	Heat Flex Control Board	HFBRD
PV-CB	Power Vent Control Board	PVCB
Temp-Sensor	Heat Flex Temperature Sensor	TMPSNSR
6-CVR-PLATE	6" Cover Plate	6CVRPLATE
64-AD-PLATE	6" to 4" Adapter Plate	64ADPLATE
COV-25	Heat Flex Cover for 25" Fireplace	COV25
COV-30	Heat Flex Cover for 30" Fireplace	COV30
COV-42	Heat Flex Cover for Traditional 42" Fireplace	COV42
COV-45	Heat Flex Cover for 45" Fireplace	COV45
COV-46	Heat Flex Cover for Traditional 46" Fireplace	COV46
COV-50	Heat Flex Cover for 50" Fireplace	COV50
COV-60	Heat Flex Cover for 60" Fireplace	COV60
COV-70	Heat Flex Cover for 70" Fireplace	COV70
COV-80	Heat Flex Cover for 80" Fireplace	COV80
COV-100	Heat Flex Cover for 100" Fireplace	COV100
COV-PASS	Heat Flex Cover for Passage Fireplace	COVPASS
HFS-R	Heat Flex Side for R (16") Fireplace	HFSR
HFS-H	Heat Flex Side for H (24") Fireplace	HFSH
HFS-EH	Heat Flex Side for EH (30") Fireplace	HFSEH
LEVER-CON	Plastic Levered Wire Connector	LVRCON
AHF-SPLT	Flex Pipe Splitter	AHFSPLT
4SK-ADP	4" Adapters	4SKADP
4DFA-25	4" DuraFlex Pipe	4DFA25