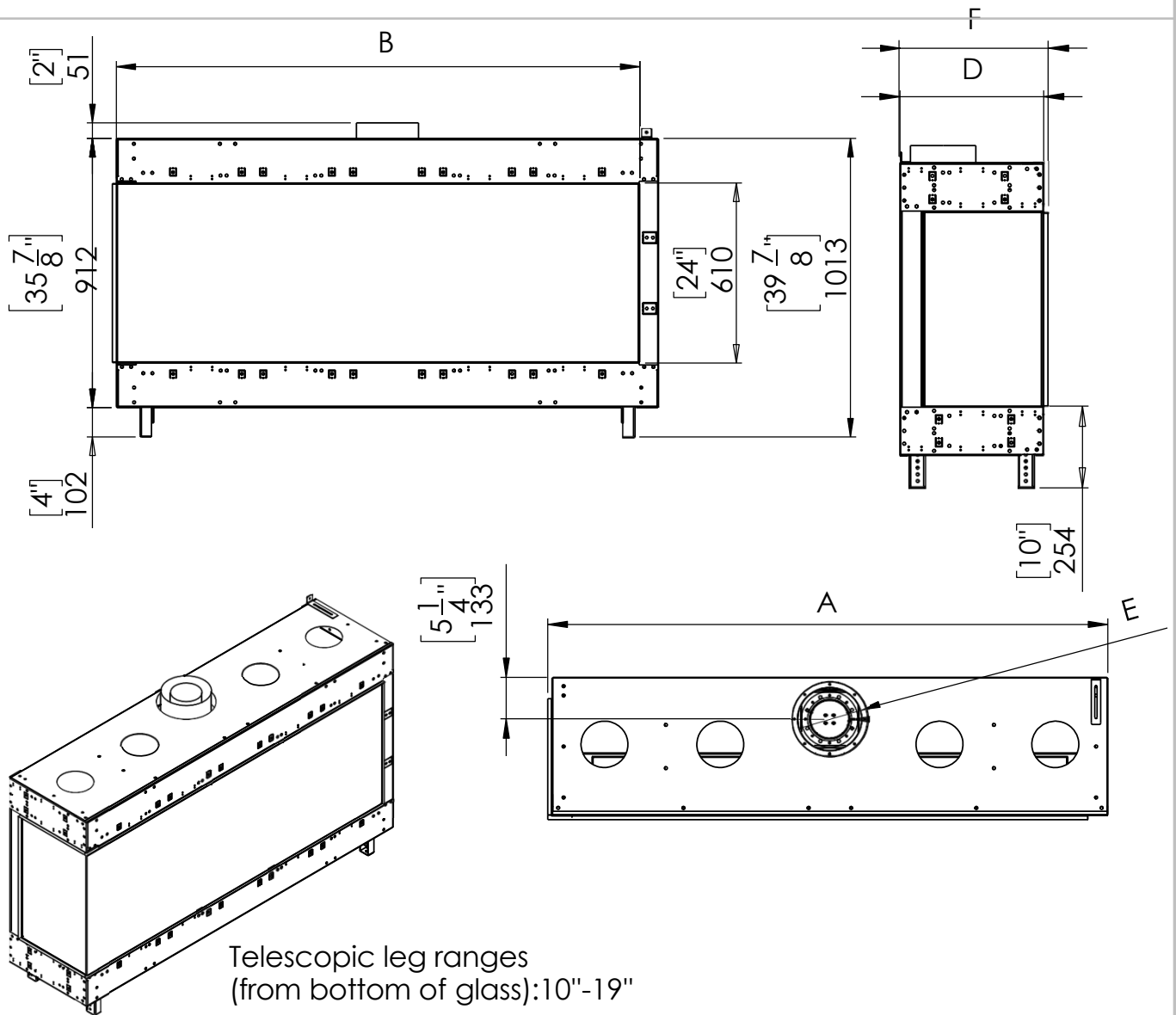
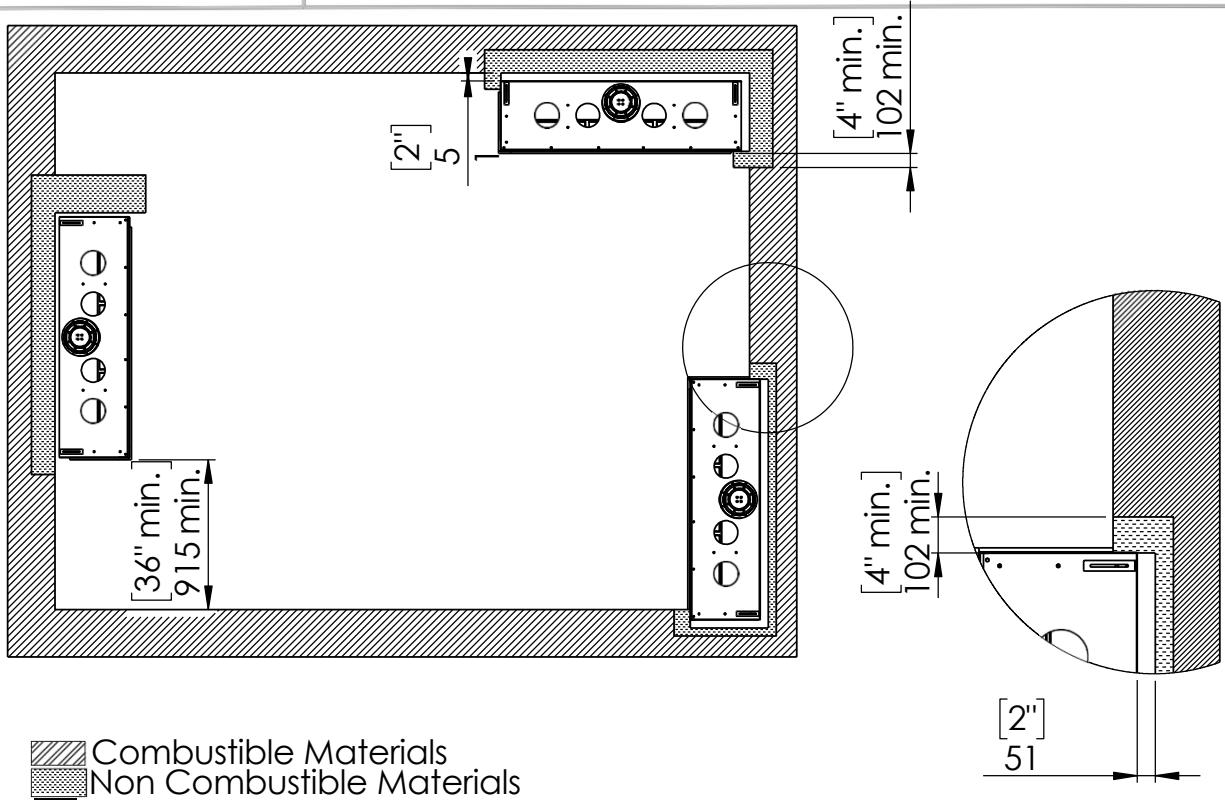


## Fireplace Dimensions



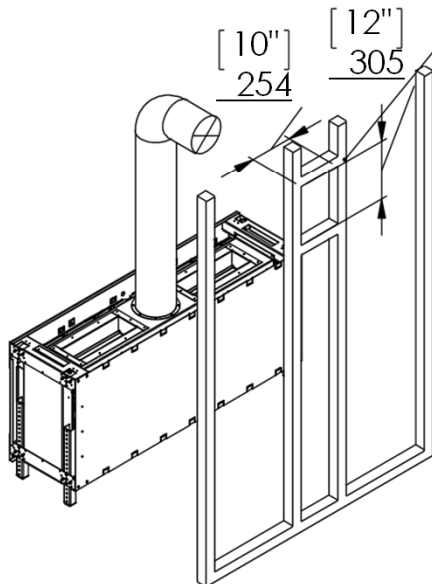
| Model   | 30                              | 45                              | 50                               | 60                               | 70                               | 80                              | 100                             |
|---------|---------------------------------|---------------------------------|----------------------------------|----------------------------------|----------------------------------|---------------------------------|---------------------------------|
| A- Inch | 30 <sup>9</sup> / <sub>16</sub> | 43 <sup>9</sup> / <sub>16</sub> | 50 <sup>4</sup> / <sub>16</sub>  | 60 <sup>1</sup> / <sub>16</sub>  | 69 <sup>15</sup> / <sub>16</sub> | 82 <sup>8</sup> / <sub>16</sub> | 99 <sup>7</sup> / <sub>16</sub> |
| B- Inch | 28 <sup>2</sup> / <sub>16</sub> | 41 <sup>1</sup> / <sub>16</sub> | 47 <sup>13</sup> / <sub>16</sub> | 57 <sup>10</sup> / <sub>16</sub> | 67 <sup>8</sup> / <sub>16</sub>  | 80 <sup>1</sup> / <sub>16</sub> | 97                              |
| F- Inch | 18 <sup>1</sup> / <sub>16</sub> | 18 <sup>1</sup> / <sub>16</sub> | 18 <sup>1</sup> / <sub>16</sub>  | 18 <sup>1</sup> / <sub>16</sub>  | 18 <sup>1</sup> / <sub>16</sub>  | 18 <sup>1</sup> / <sub>16</sub> | 18 <sup>1</sup> / <sub>16</sub> |
| D- Inch | 17 <sup>9</sup> / <sub>16</sub> | 17 <sup>9</sup> / <sub>16</sub> | 17 <sup>9</sup> / <sub>16</sub>  | 17 <sup>9</sup> / <sub>16</sub>  | 17 <sup>9</sup> / <sub>16</sub>  | 17 <sup>9</sup> / <sub>16</sub> | 17 <sup>9</sup> / <sub>16</sub> |
| E- Inch | 4x6                             | 4x6                             | 5x8                              | 5x8                              | 5x8                              | 5x8                             | 5x8                             |



## Chimney Installation

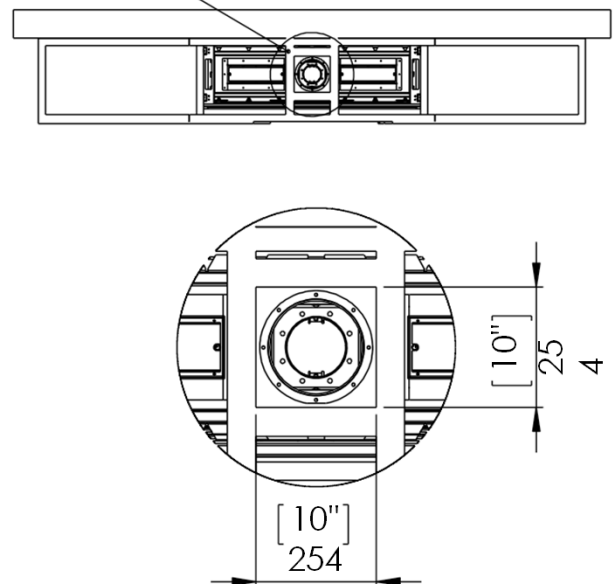
### Horizontal Termination

For 5 x 8 vent size create 10" x 12" vent termination opening

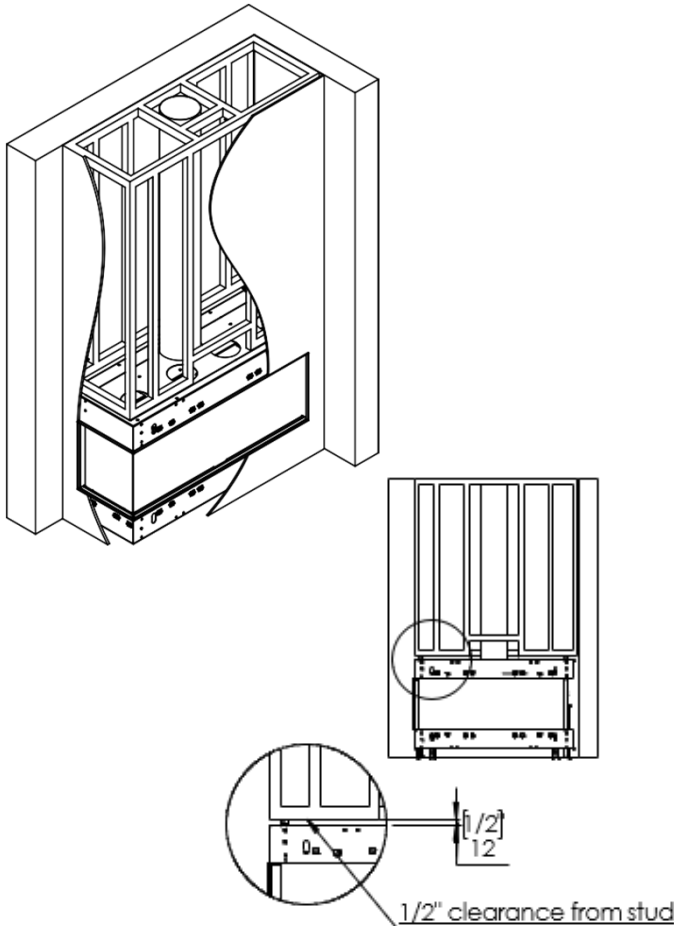


### Vertical Termination

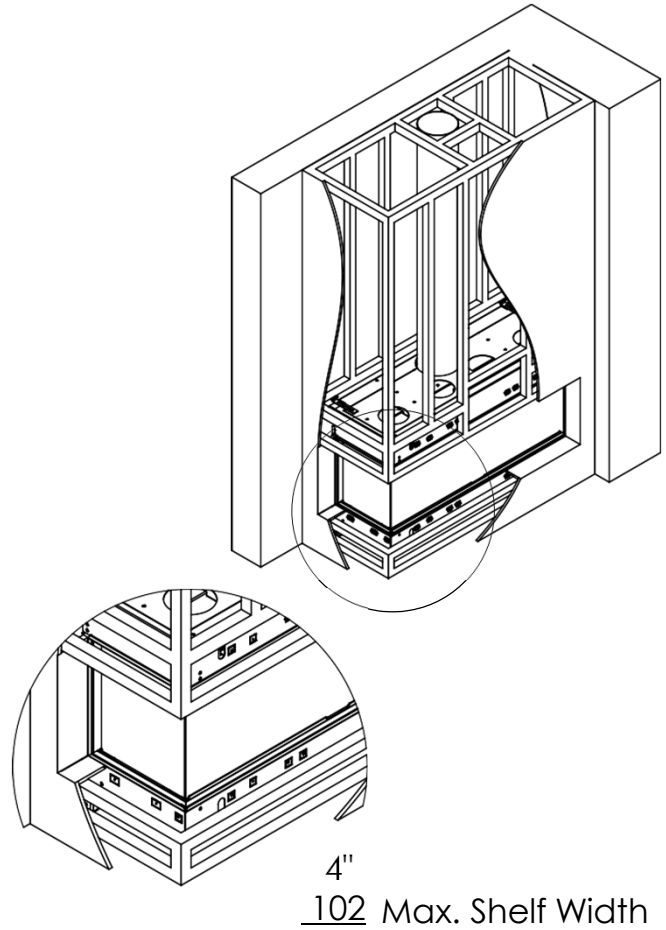
For 5 x 8 vent size create 10" x 10" vent termination opening



## Flat Installation Example



## L Shape Installation Example



## Heat Release and Air Intakes

### The following sizes MUST be maintained for the upper heat release:

For fireplaces sized **80" & 100"** – open vent area must be at least **200 square inches**.

For fireplaces sized **60" & 70"** – open vent area must be at least **140 square inches**.

For fireplace sized **50"** and below – open vent area must be at least **100 square inches**.

### The following sizes MUST be maintained for the lower air intake:

For fireplaces sized **80" & 100"** – open vent area must be at least **100 square inches**.

For fireplaces sized **60" & 70"** - open vent area must be at least **70 square inches**.

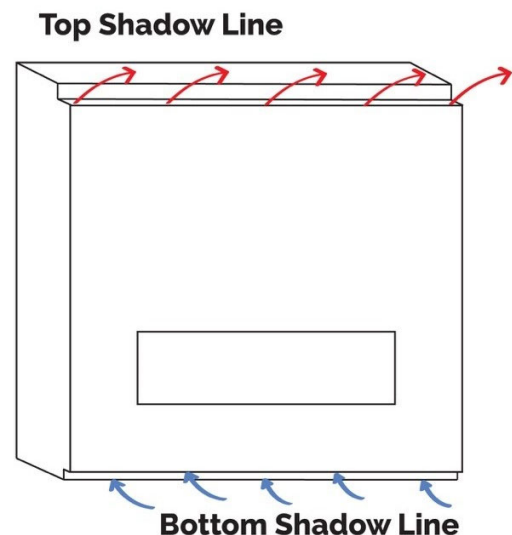
For fireplaces sized **50"** and below - open vent area must be at least **50 square inches**.

For See Through and Room Definer fireplaces, the air intake requirements are **double**.

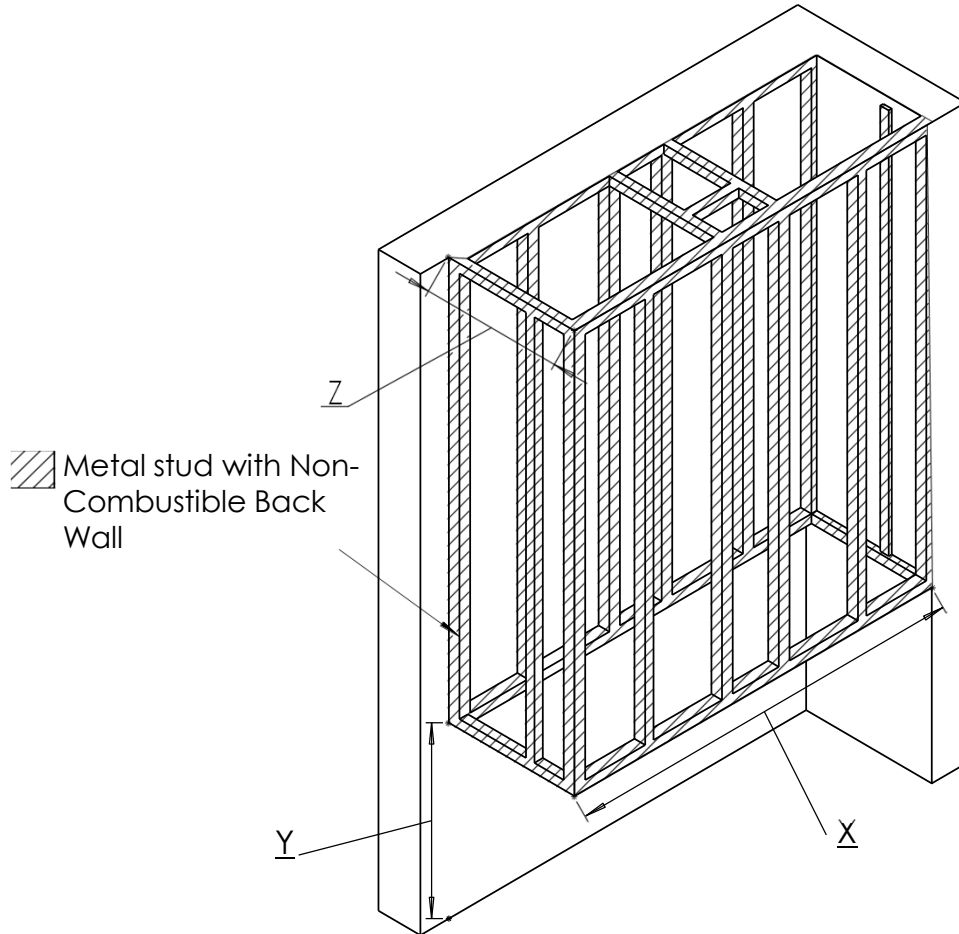
**NOTE: Openings above for Heat Release and Air Intake are measured for open air space. BE SURE TO CALCULATE FOR RESTRICTIONS IN GRATING.**

**NOTE:** On all See Through and Room Definer units the air intake must be doubled

Air Intakes required for Double Glass or Optional Blower kits ONLY.



# Metal Framing Dimensions



**Metal Studs must be self supported.**  
**Metal Studs must not connect to Fireplace.**  
**Metal Studs must maintain 1/2" clearance to Fireplace.**

**NOTE: Dimension 'Y' uses legs at default lowest height 4" below the unit with glass beginning 10" above the floor. Increase leg height and Y dimension for higher viewing window.**

|     |      | X                                | Y                               | Z                               |                                 |
|-----|------|----------------------------------|---------------------------------|---------------------------------|---------------------------------|
|     |      |                                  |                                 | Flat Installation               | Recess Installation ( 4" Max)   |
| 30  | Inch | 32 <sup>9</sup> / <sub>16</sub>  | 40 <sup>6</sup> / <sub>16</sub> | 19 <sup>9</sup> / <sub>16</sub> | 23 <sup>9</sup> / <sub>16</sub> |
|     | mm   | 827                              | 1026                            | 497                             | 598                             |
| 45  | Inch | 45 <sup>9</sup> / <sub>16</sub>  | 40 <sup>6</sup> / <sub>16</sub> | 19 <sup>9</sup> / <sub>16</sub> | 23 <sup>9</sup> / <sub>16</sub> |
|     | mm   | 1144                             | 1026                            | 497                             | 598                             |
| 50  | Inch | 52 <sup>4</sup> / <sub>16</sub>  | 40 <sup>6</sup> / <sub>16</sub> | 19 <sup>9</sup> / <sub>16</sub> | 23 <sup>9</sup> / <sub>16</sub> |
|     | mm   | 1327                             | 1026                            | 497                             | 598                             |
| 60  | Inch | 62 <sup>1</sup> / <sub>16</sub>  | 40 <sup>6</sup> / <sub>16</sub> | 19 <sup>9</sup> / <sub>16</sub> | 23 <sup>9</sup> / <sub>16</sub> |
|     | mm   | 1576                             | 1026                            | 497                             | 598                             |
| 70  | Inch | 71 <sup>15</sup> / <sub>16</sub> | 40 <sup>6</sup> / <sub>16</sub> | 19 <sup>9</sup> / <sub>16</sub> | 23 <sup>9</sup> / <sub>16</sub> |
|     | mm   | 1827                             | 1026                            | 497                             | 598                             |
| 80  | Inch | 84 <sup>8</sup> / <sub>16</sub>  | 40 <sup>6</sup> / <sub>16</sub> | 19 <sup>9</sup> / <sub>16</sub> | 23 <sup>9</sup> / <sub>16</sub> |
|     | mm   | 2146                             | 1026                            | 497                             | 598                             |
| 100 | Inch | 101 <sup>7</sup> / <sub>16</sub> | 40 <sup>6</sup> / <sub>16</sub> | 19 <sup>9</sup> / <sub>16</sub> | 23 <sup>9</sup> / <sub>16</sub> |
|     | mm   | 2577                             | 1026                            | 497                             | 598                             |