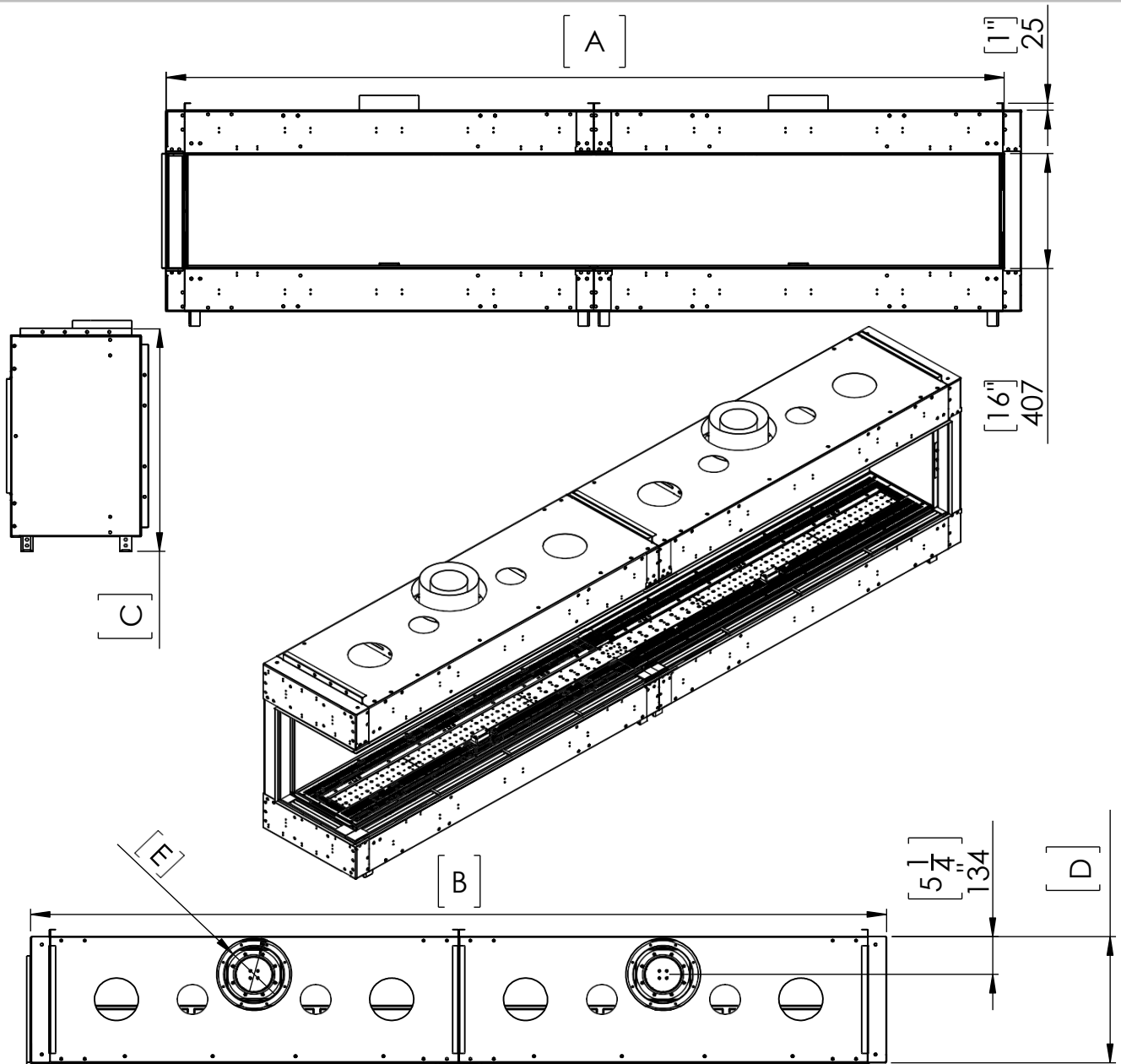
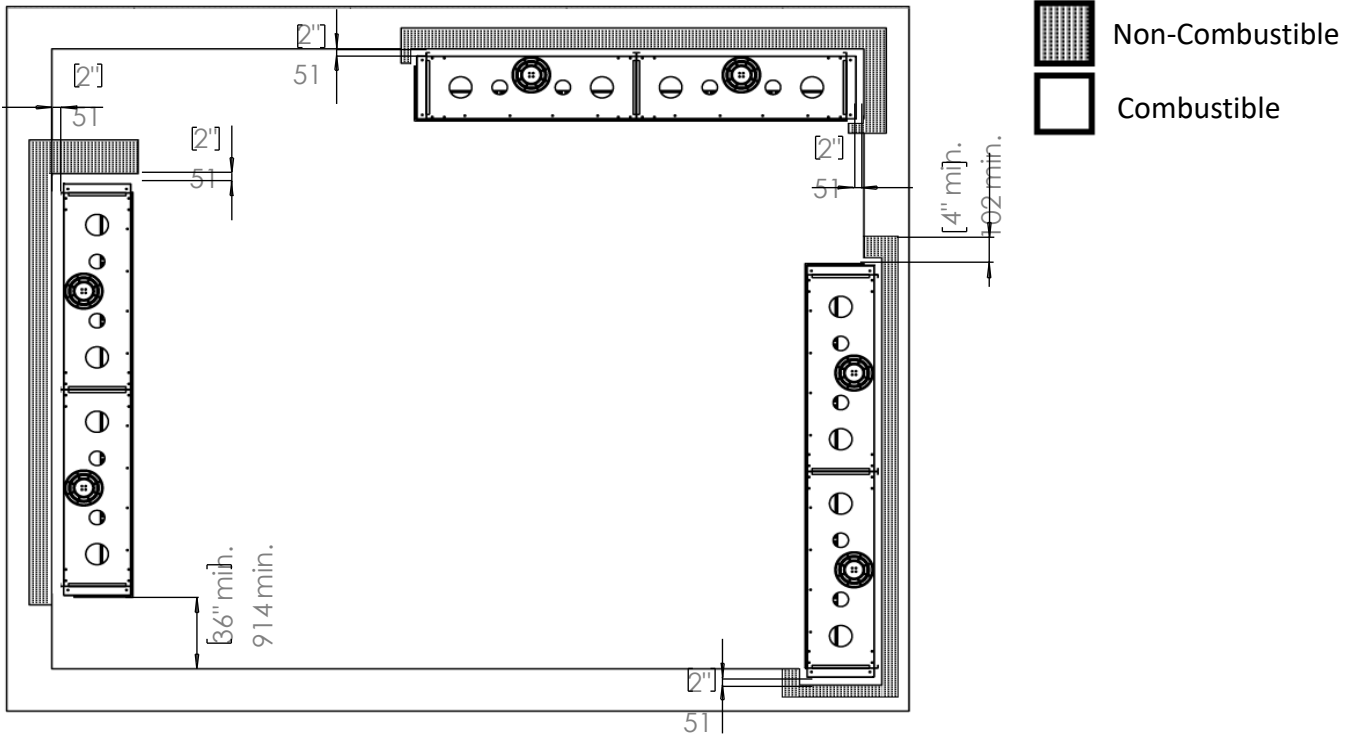


Fireplace Dimensions



Model	120	140	160	200
A- Inch	112 ¹⁰ / ₁₆	132 ⁵ / ₁₆	157 ⁸ / ₁₆	191 ⁶ / ₁₆
B- Inch	115 ¹ / ₁₆	134 ¹² / ₁₆	159 ¹⁵ / ₁₆	193 ¹³ / ₁₆
C- Inch	31 ¹ / ₁₆	31 ¹ / ₁₆	31 ¹ / ₁₆	31 ¹ / ₁₆
D- Inch	17 ⁹ / ₁₆	17 ⁹ / ₁₆	17 ⁹ / ₁₆	17 ⁹ / ₁₆
E- Inch	5x8	5x8	5x8	5x8

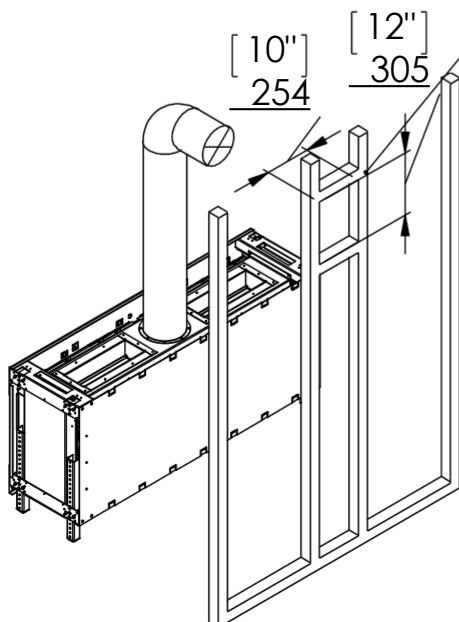
Clearances to Finishing Materials



Chimney Installation

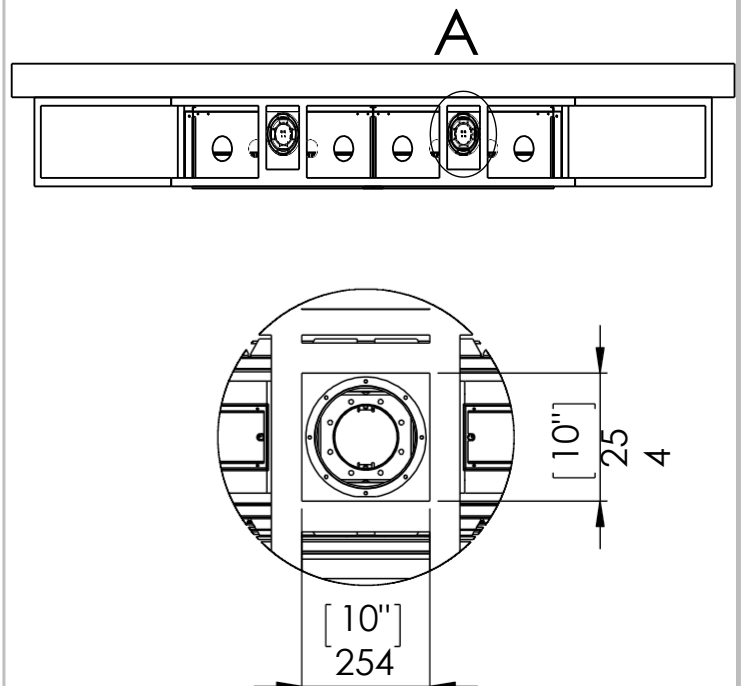
Horizontal Termination

For 5 x 8 vent size create 10" x 12" vent termination opening

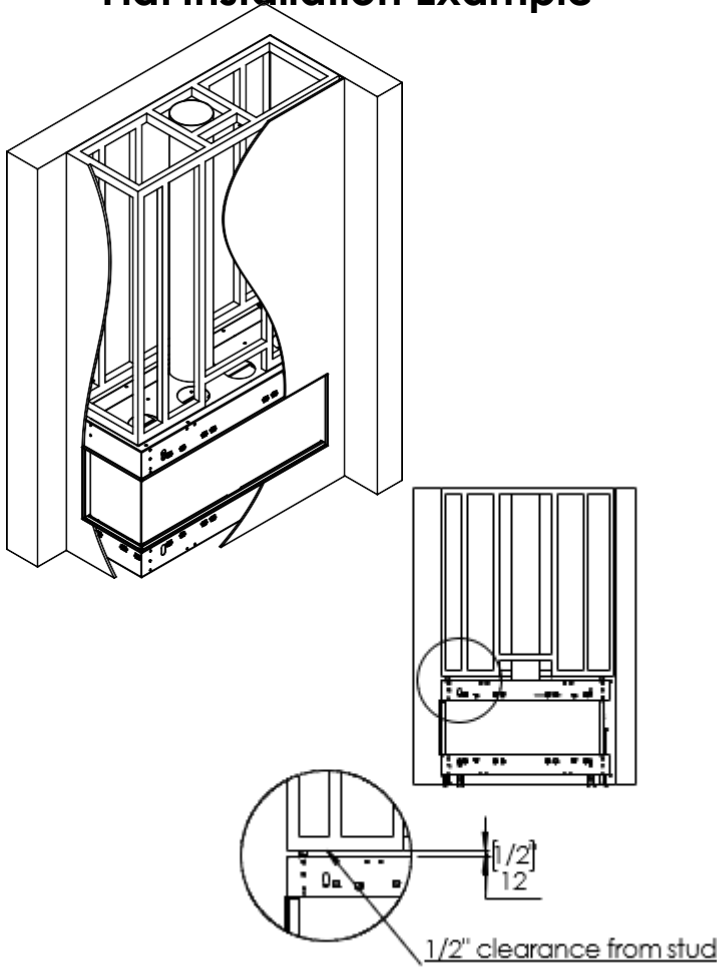


Vertical Termination

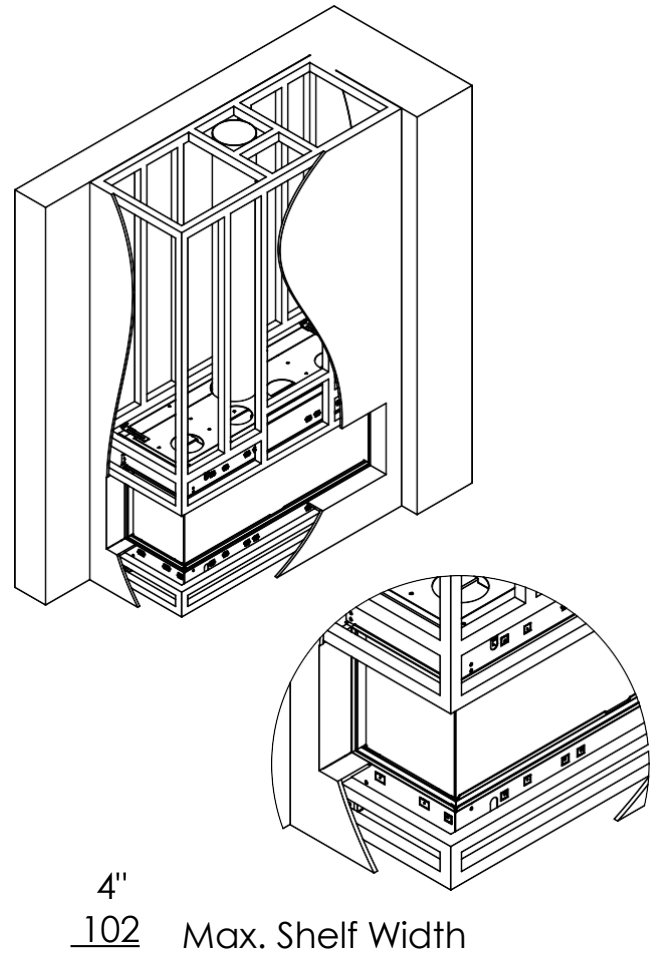
For 5 x 8 vent size create 10" x 10" vent termination opening



Flat Installation Example



L Shape Installation Example



Heat Release and Air Intakes

The following sizes MUST be maintained for the upper heat release:

For fireplaces 160" & 200" – open vent area must be at least 400 square inches.

For fireplaces 120" & 140" – open vent area must be at least 280 square inches.

The following sizes MUST be maintained for the lower air intake:

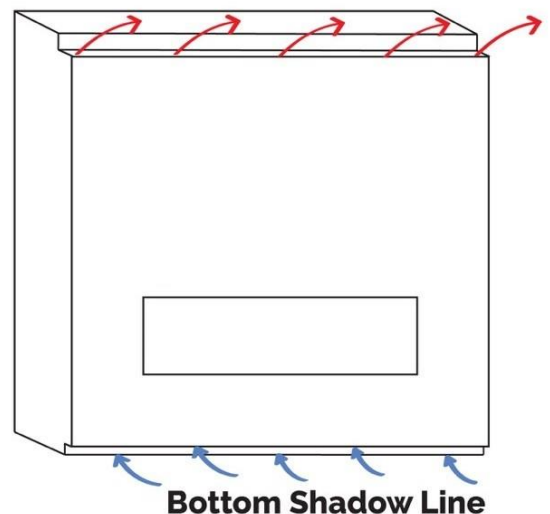
For fireplaces 160" & 200" – open vent area must be at least 200 square inches.

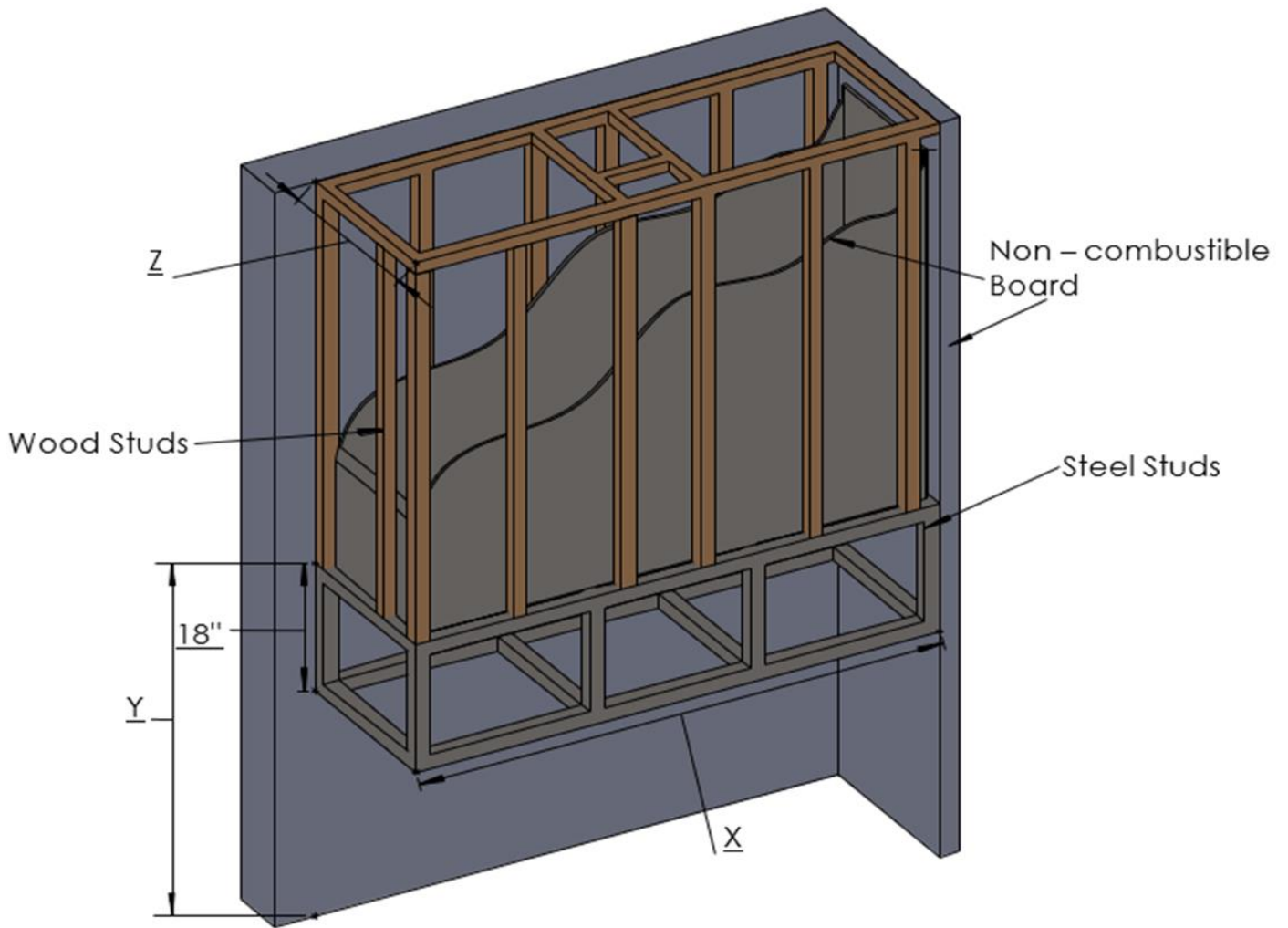
For fireplaces 120" & 140" - open vent area must be at least 140 square inches.

NOTE: Openings above for Heat Release and Air Intake are measured for open air space. **BE SURE TO CALCULATE FOR RESTRICTIONS IN GRATING.**

NOTE: For cooler operating wall temperature and Double Glass Safety Barrier, it is recommended to exceed the minimum requirements above.

Top Shadow Line





NOTE: Dimension 'Y' uses fireplace at default lowest height with glass viewing window beginning 8 ¼" above the floor. Any higher viewing windows must have a platform created to raise fireplace off the floor and increase the value of 'Y' to accommodate any increase.

		X	Y	Z	
				Flat Installation	Recess Installation (4" Max)
120	Inch	118 1/16	49 9/16	20 9/16	24 9/16
	mm	2963	1259	522	624
140	Inch	137 12/16	49 9/16	20 9/16	24 9/16
	mm	3499	1259	522	624
160	Inch	162 15/16	49 9/16	20 9/16	24 9/16
	mm	4139	1259	522	624
200	Inch	196 13/16	49 9/16	20 9/16	24 9/16
	mm	4999	1259	522	624