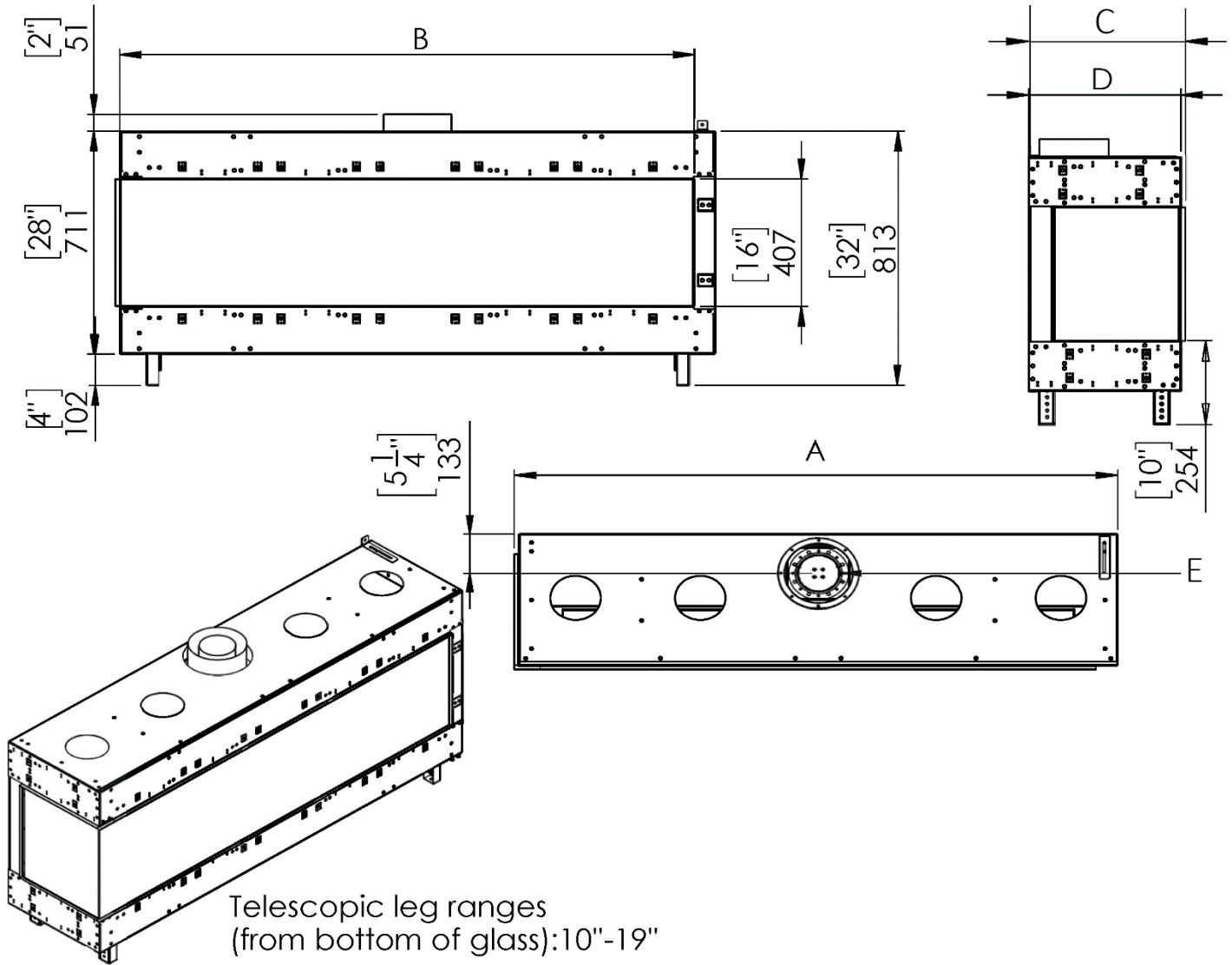
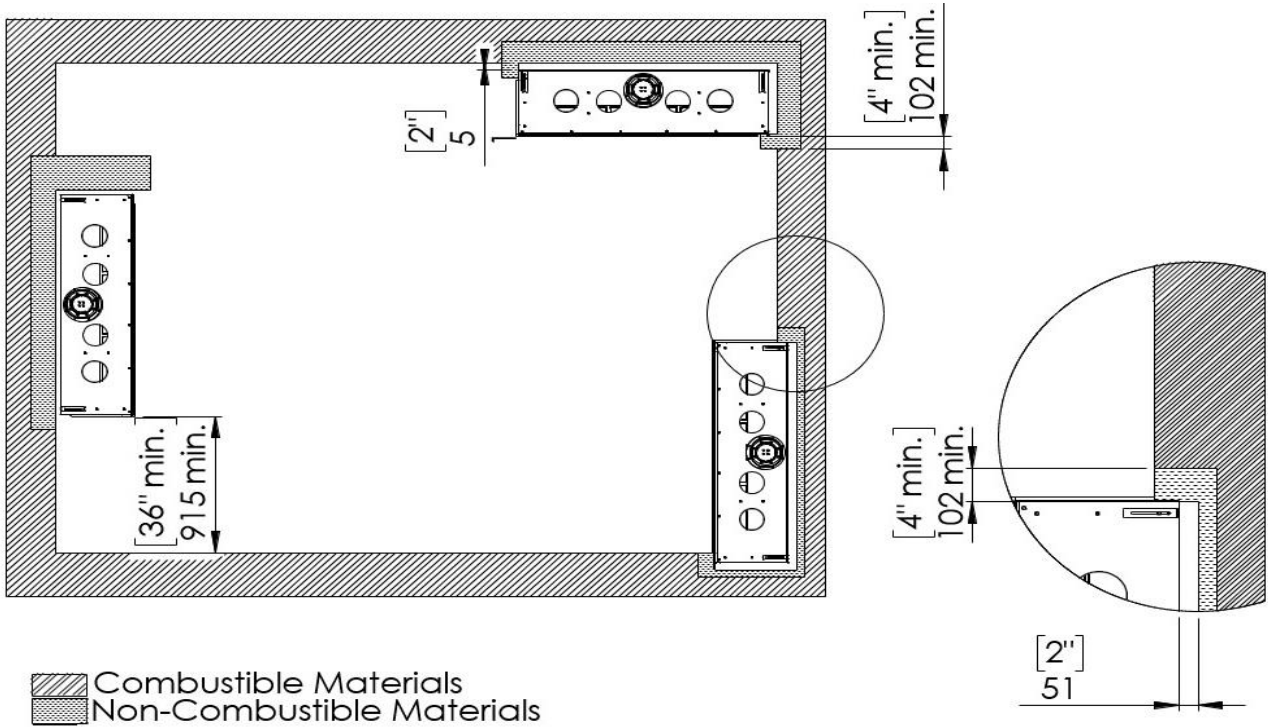


Fireplace Dimensions



Model		45	50	60	70	80	100
A	IN	43 9/16	50 4/16	60 1/16	69 15/16	82 8/16	99 7/16
	MM	1106	1276	1525	1776	2095	2525
B	IN	41 1/16	47 13/16	57 10/16	67 8/16	80 1/16	97
	MM	1042	1214	1463	1714	2033	2463
C	IN	18 1/16	18 1/16	18 1/16	18 1/16	18 1/16	18 1/16
	MM	458	458	458	458	458	458
D	IN	17 9/16	17 9/16	17 9/16	17 9/16	17 9/16	17 9/16
	MM	446	446	446	446	446	446
E	IN	4x6	5x8	5x8	5x8	5x8	5x8
	MM	101x152	127x203	127x203	127x203	127x203	127x203

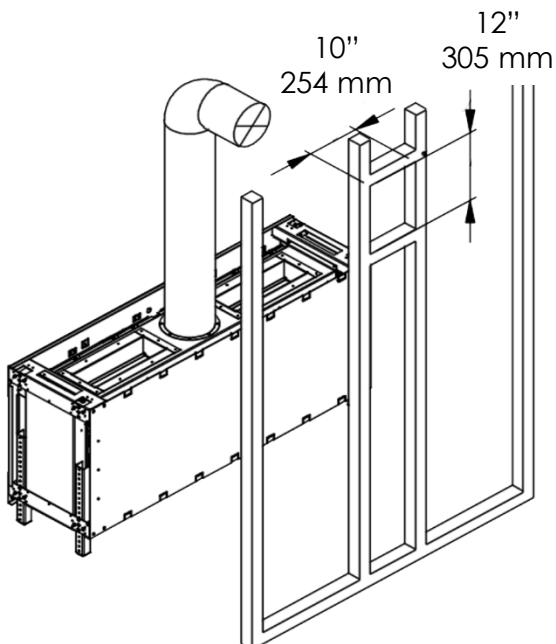
Clearances below are to non-combustible materials.



Chimney Installation

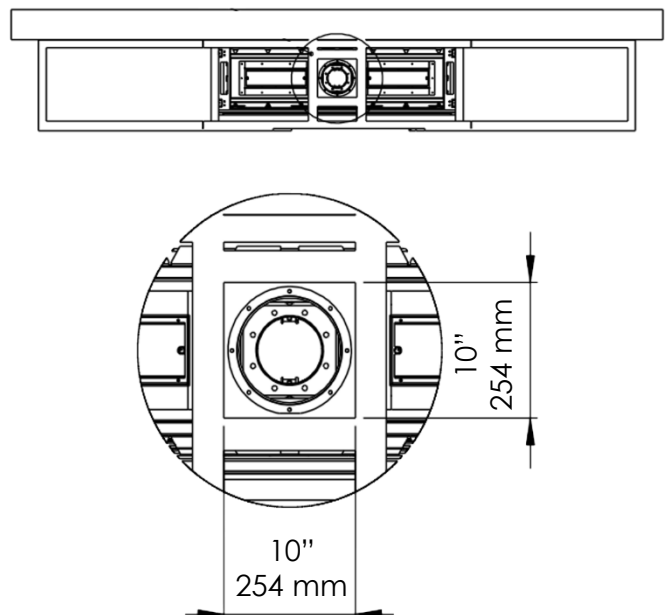
Horizontal Termination

For 5x8 vent pipe termination create a 10"x12" opening

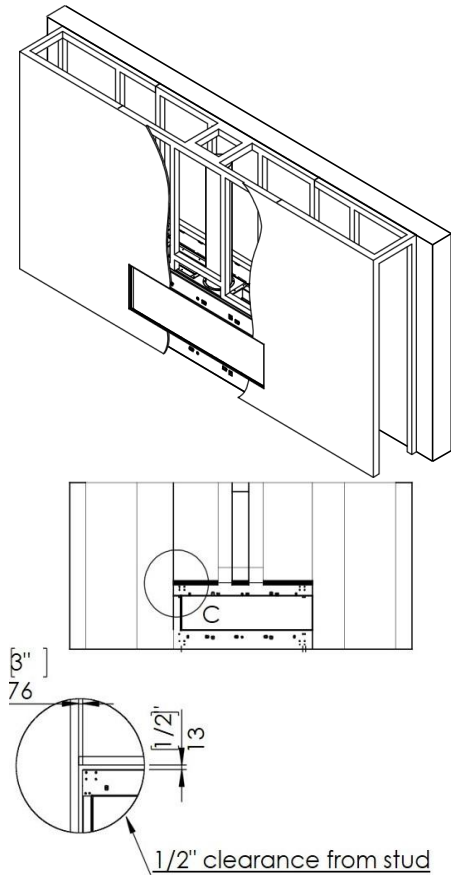


Vertical Termination

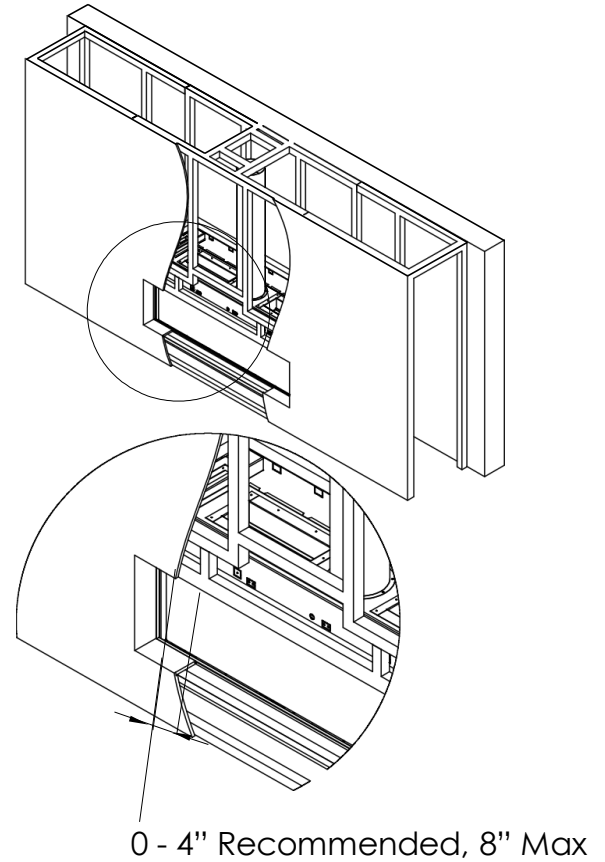
For 5x8 vent pipe termination create a 10"x10" opening



Flat Installation



Recessed Installation



Heat Release and Air Intake

Required Heat Release Open Air-Flow Minimum

80" and 100" Fireplaces - 200 square inches minimum.

60" and 70" Fireplaces - 140 square inches minimum.

30", 45", 50" Fireplaces - 100 square inches minimum.

Required Air Intake Open Air-Flow Minimum

80" and 100" Fireplaces - 100 square inches minimum.

60" and 70" Fireplaces - 70 square inches minimum.

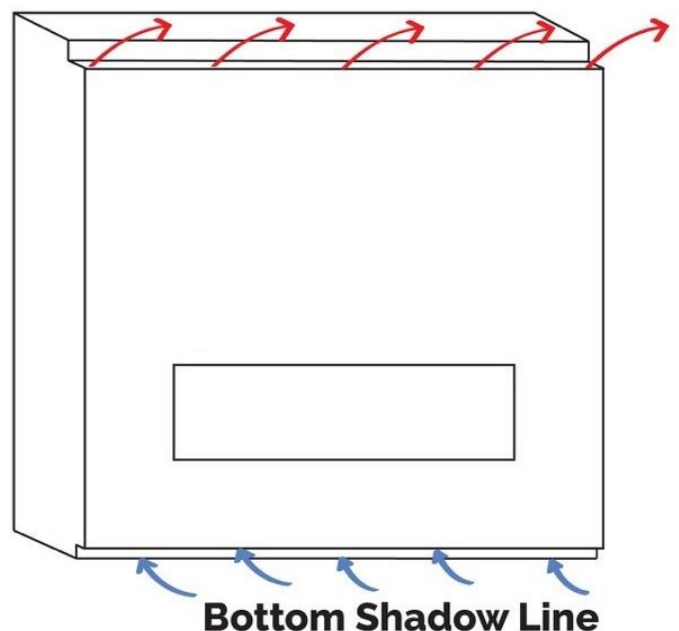
30", 45", 50" Fireplaces - 50 square inches minimum.

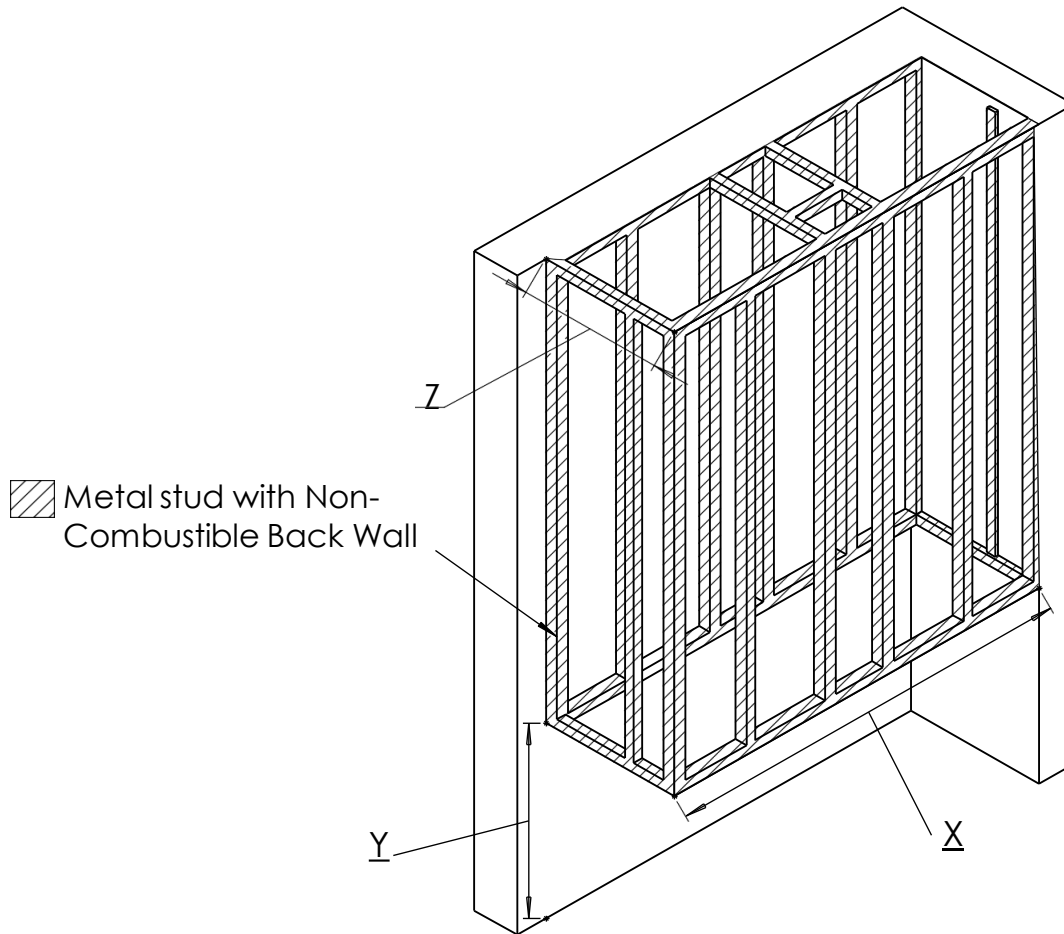
*(*Blower Kit and Cool Glass)*

*(**See Through and Room Definer Requirements Double.)*

*(***Openings are measured for open air-flow)*

Top Shadow Line

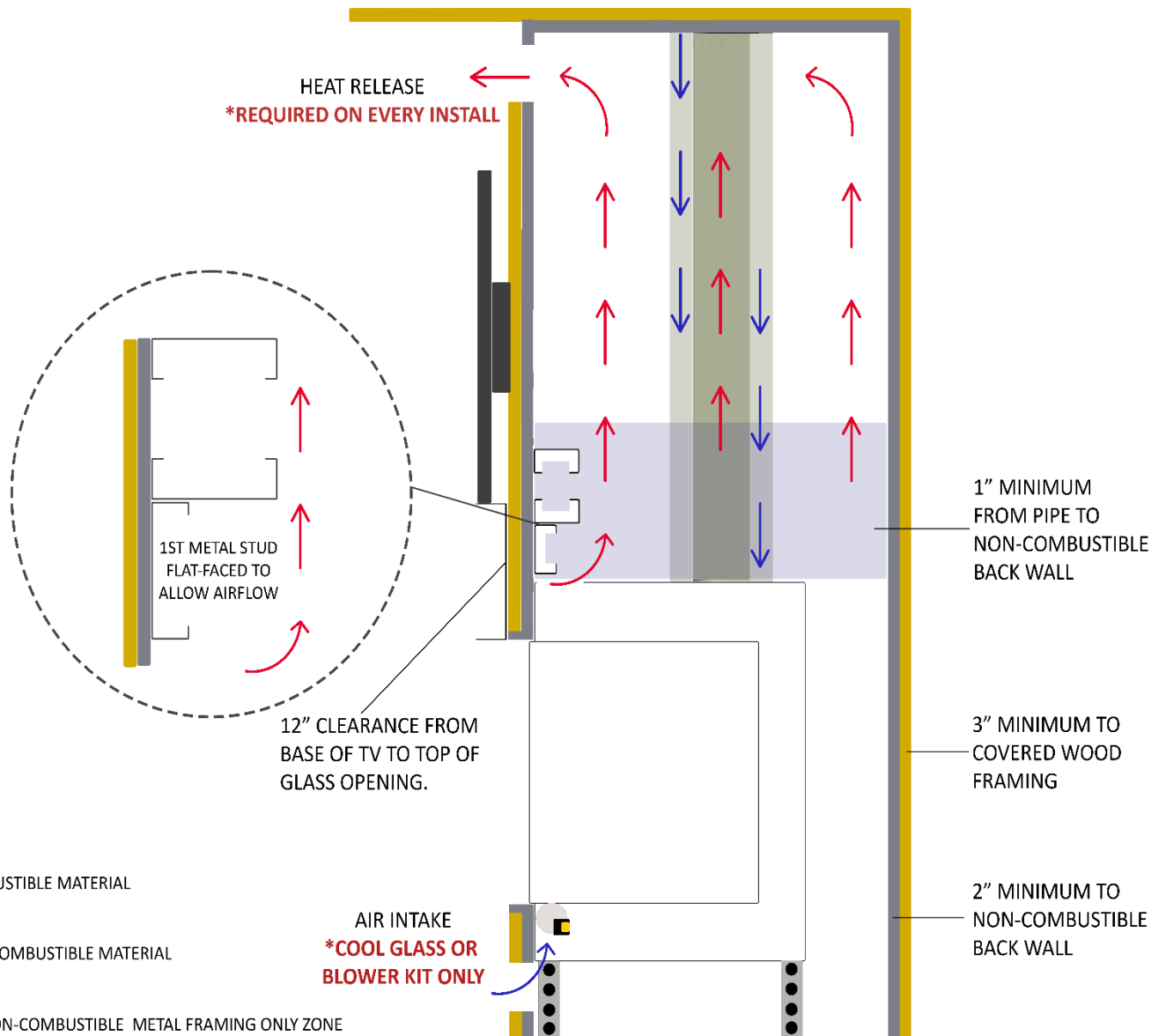




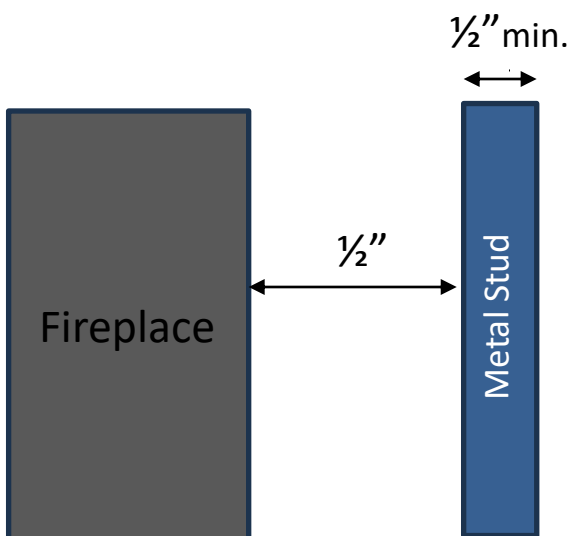
NOTE: Dimension “Y” assumes the fireplace legs are set to the default height of 4”, placing the glass opening at 10” above the floor. This “Y” dimension can change based on where your client wants their viewing window.

*All framing and finishing must be secured to your projects back wall, ceiling or floor and must never bear weight on the fireplace in any circumstance. For more information reference the [Installation Manual](#).

Model		X	Y	Z	
				Flat Installation	Recess Installation (4")
45	IN	45 9/16	32 8/16	19 9/16	23 9/16
	MM	1157	825	496	598
50	IN	52 4/16	32 8/16	19 9/16	23 9/16
	MM	1327	825	496	598
60	IN	62 1/16	32 8/16	19 9/16	23 9/16
	MM	1576	825	496	598
70	IN	71 15/16	32 8/16	19 9/16	23 9/16
	MM	1827	825	496	598
80	IN	84 8/16	32 8/16	19 9/16	23 9/16
	MM	2146	825	496	598
100	IN	101 7/16	32 8/16	19 9/16	23 9/16
	MM	2576	825	496	598



Metal Framing Clearances and Materials Example



*Any combustible material found within the fireplace cavity must be covered with a minimum 1/2" thick non-combustible board and maintain a 3" clearance to the sides and back of the fireplace.