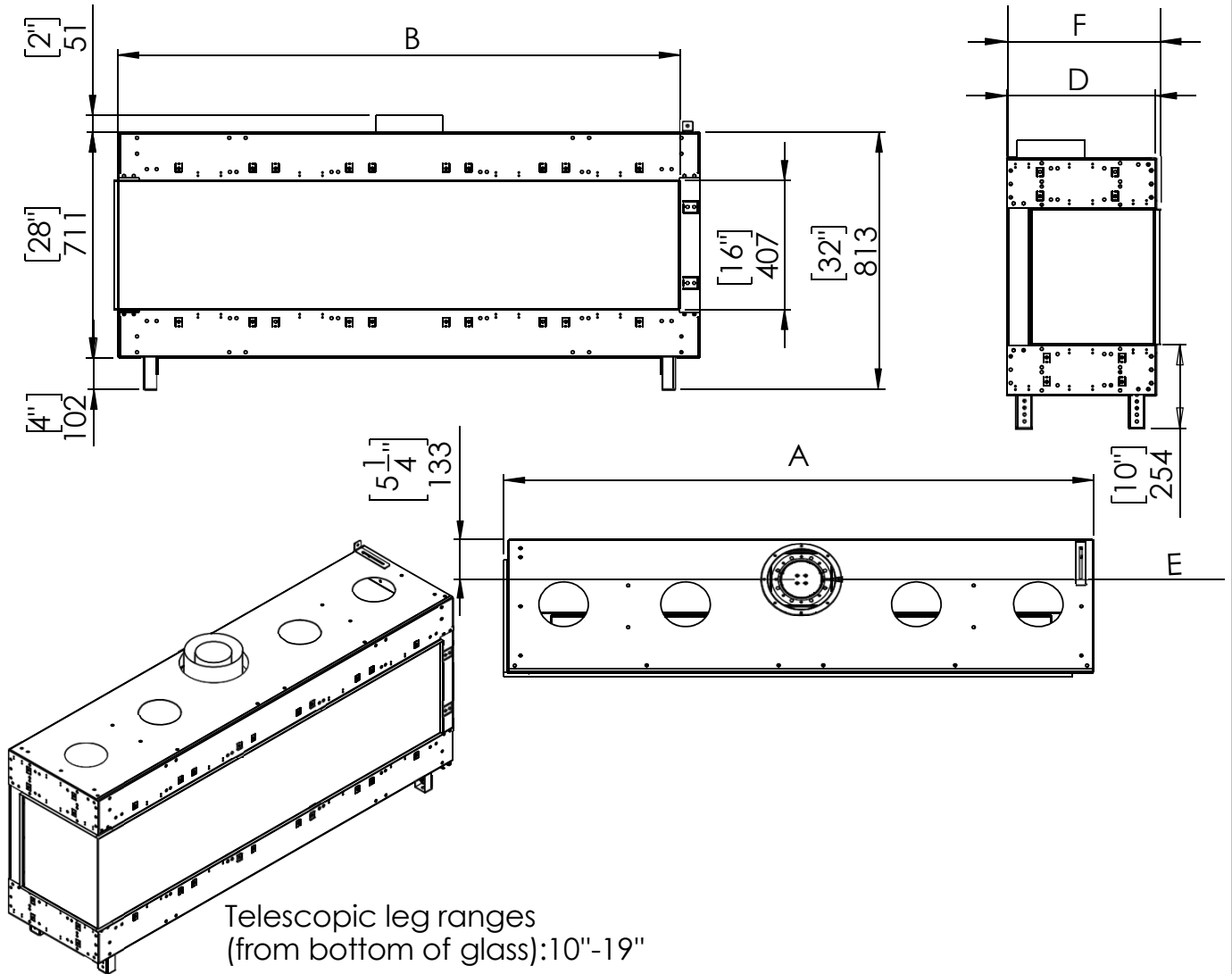
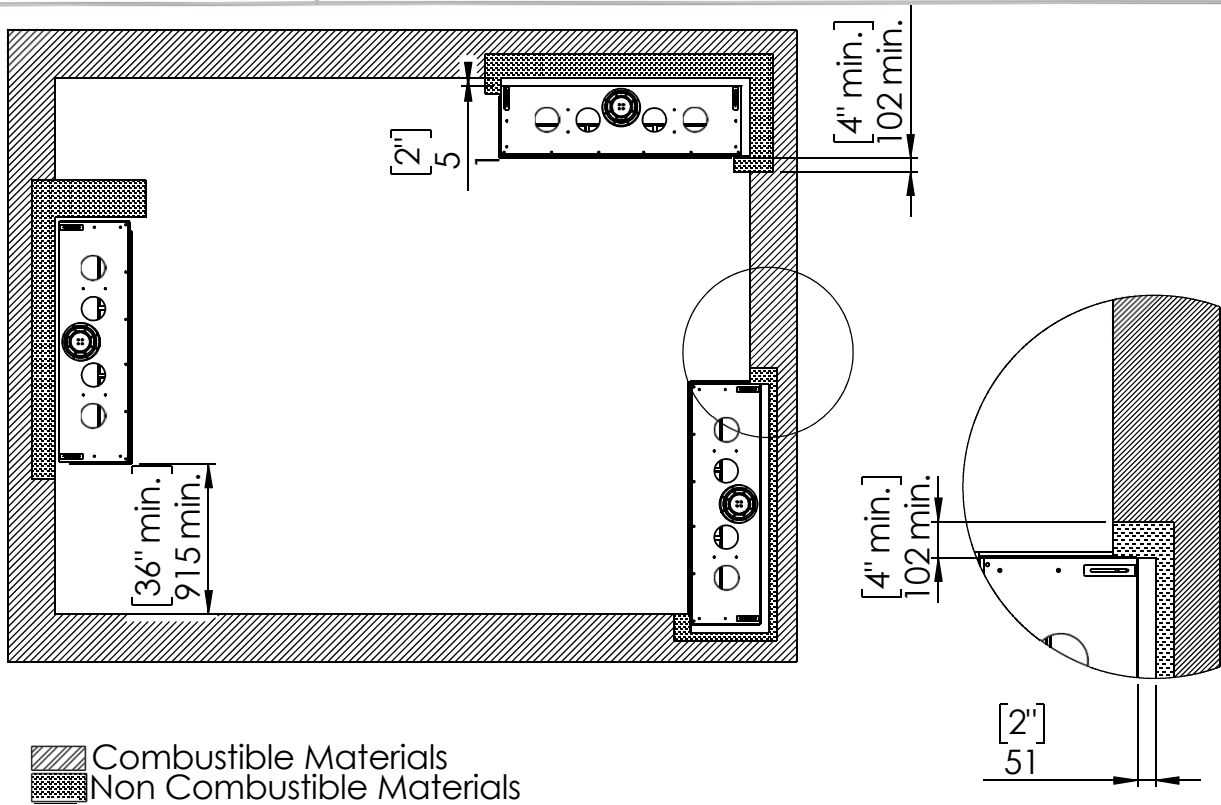


Fireplace Dimensions



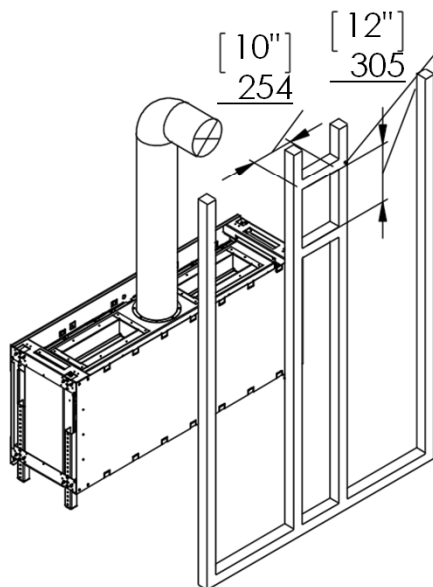
Model	45	50	60	70	80	100
A- Inch	43 ⁹ / ₁₆	50 ⁴ / ₁₆	60 ¹ / ₁₆	69 ¹⁵ / ₁₆	82 ⁸ / ₁₆	99 ⁷ / ₁₆
B- Inch	41 ¹ / ₁₆	47 ¹³ / ₁₆	57 ¹⁰ / ₁₆	67 ⁸ / ₁₆	80 ¹ / ₁₆	97
F- Inch	18 ¹ / ₁₆	18 ¹ / ₁₆	18 ¹ / ₁₆	18 ¹ / ₁₆	18 ¹ / ₁₆	18 ¹ / ₁₆
D- Inch	17 ⁹ / ₁₆	17 ⁹ / ₁₆	17 ⁹ / ₁₆	17 ⁹ / ₁₆	17 ⁹ / ₁₆	17 ⁹ / ₁₆
E- Inch	4x6	5x8	5x8	5x8	5x8	5x8



Chimney Installation

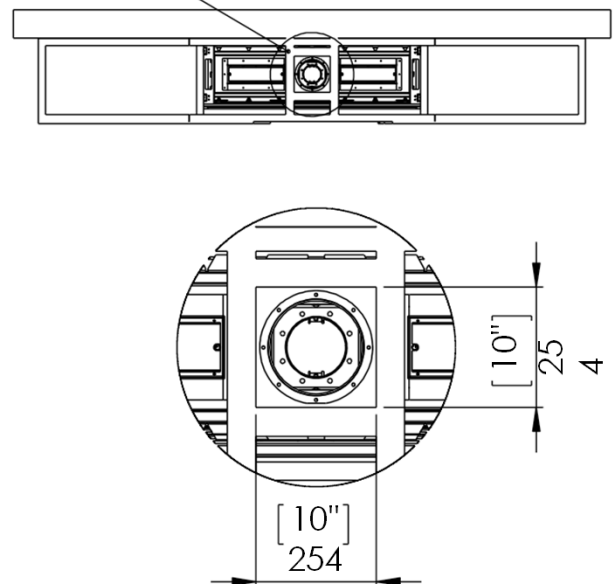
Horizontal Termination

For 5 x 8 vent size create 10" x 12" vent termination opening

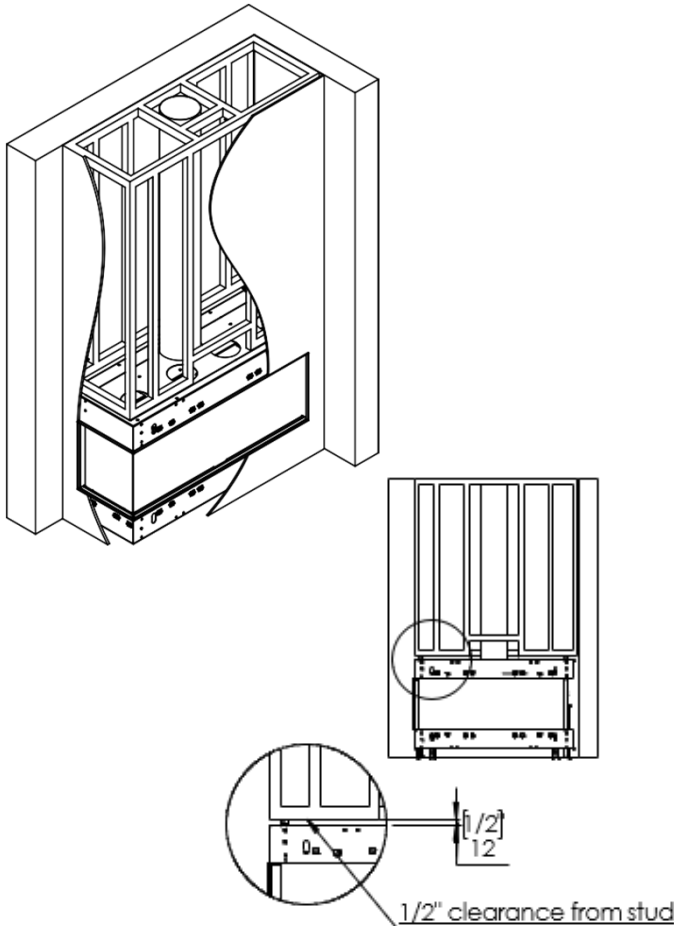


Vertical Termination

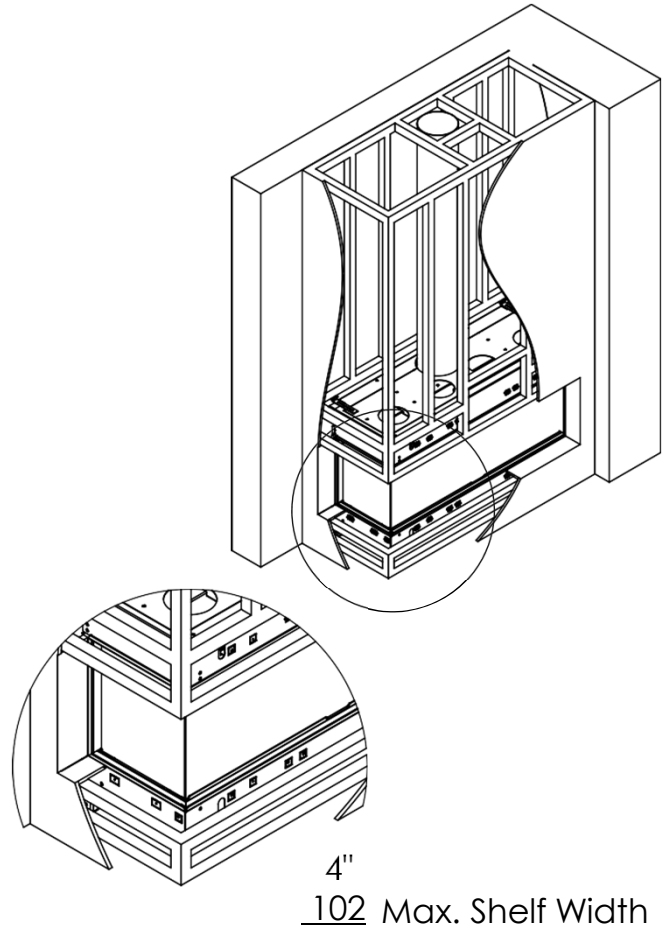
For 5 x 8 vent size create 10" x 10" vent termination opening



Flat Installation Example



L Shape Installation Example



Heat Release and Air Intakes

The following sizes MUST be maintained for the upper heat release:

For fireplaces sized **80" & 100"** – open vent area must be at least **200 square inches**.

For fireplaces sized **60" & 70"** – open vent area must be at least **140 square inches**.

For fireplace sized **50"** and below – open vent area must be at least **100 square inches**.

The following sizes MUST be maintained for the lower air intake:

For fireplaces sized **80" & 100"** – open vent area must be at least **100 square inches**.

For fireplaces sized **60" & 70"** - open vent area must be at least **70 square inches**.

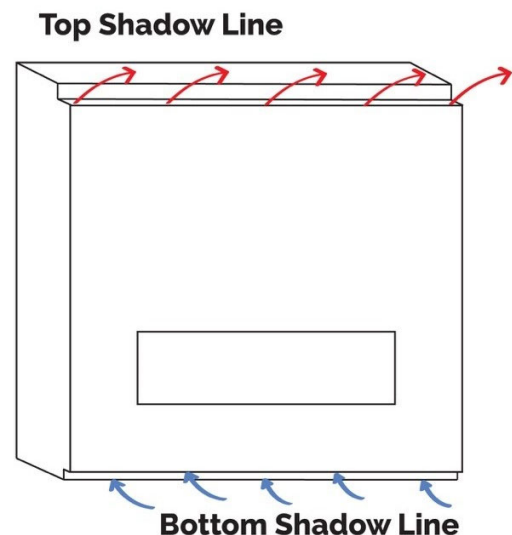
For fireplaces sized **50"** and below - open vent area must be at least **50 square inches**.

For See Through and Room Definer fireplaces, the air intake requirements are **double**.

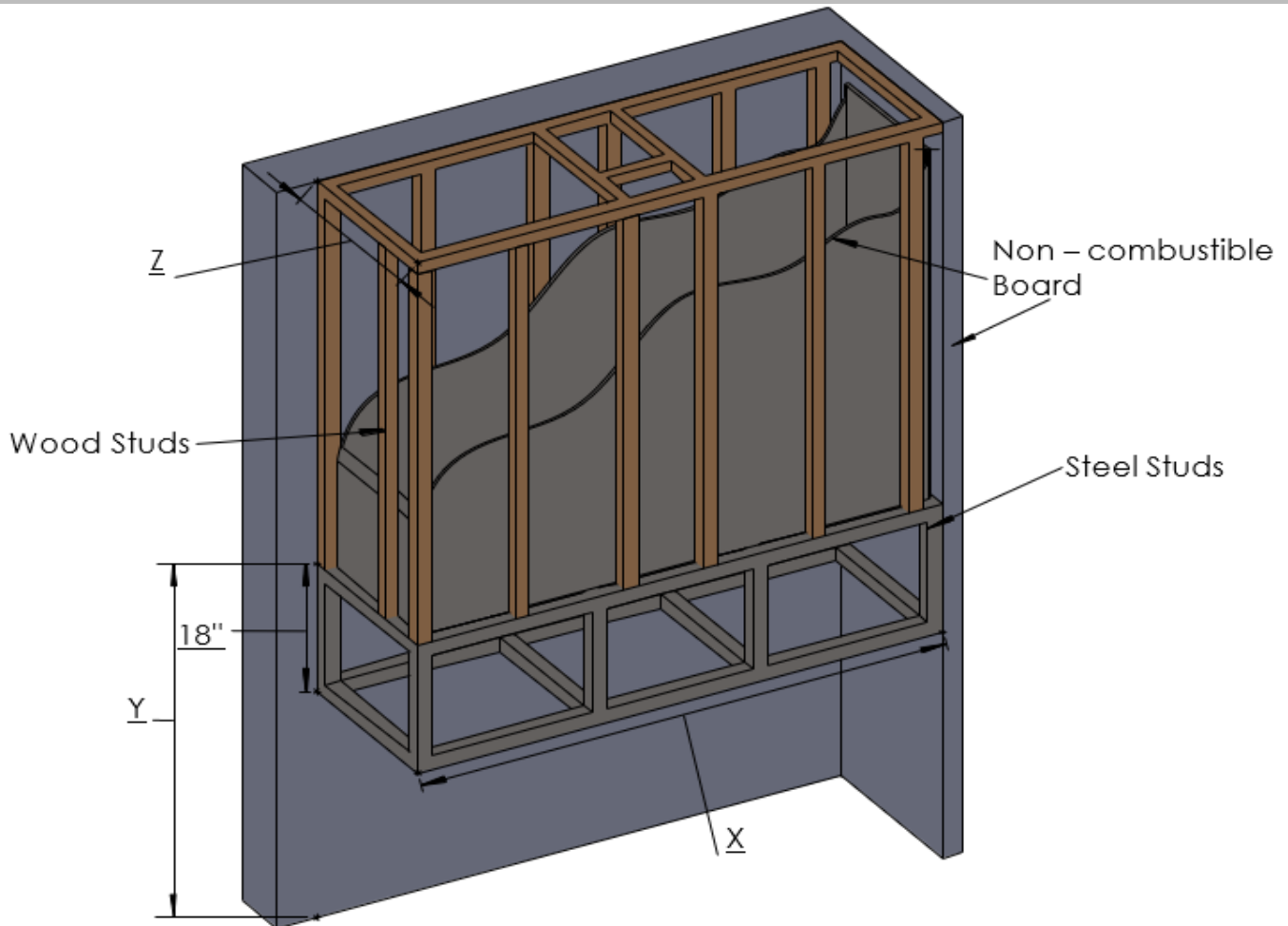
NOTE: Openings above for Heat Release and Air Intake are measured for open air space. BE SURE TO CALCULATE FOR RESTRICTIONS IN GRATING.

NOTE: On all See Through and Room Definer units the air intake must be doubled

Air Intakes required for Double Glass or Optional Blower kits ONLY.



Wood Framing Dimensions



NOTE: Dimension 'Y' uses legs at default lowest height 4" below the unit with glass beginning 10" above the floor. Increase leg height and Y dimension for higher viewing window.

		X	Y	Z	
				Flat Installation	Recess Installation (4" Max)
45	Inch	46 ⁹ / ₁₆	50 ⁸ / ₁₆	20 ⁹ / ₁₆	24 ⁹ / ₁₆
	mm	1169	1283	522	624
50	Inch	53 ⁴ / ₁₆	50 ⁸ / ₁₆	20 ⁹ / ₁₆	24 ⁹ / ₁₆
	mm	1353	1283	522	624
60	Inch	63 ¹ / ₁₆	50 ⁸ / ₁₆	20 ⁹ / ₁₆	24 ⁹ / ₁₆
	mm	1602	1283	522	624
70	Inch	72 ¹⁵ / ₁₆	50 ⁸ / ₁₆	20 ⁹ / ₁₆	24 ⁹ / ₁₆
	mm	1853	1283	522	624
80	Inch	85 ⁸ / ₁₆	50 ⁸ / ₁₆	20 ⁹ / ₁₆	24 ⁹ / ₁₆
	mm	2172	1283	522	624
100	Inch	101 ⁷ / ₁₆	50 ⁸ / ₁₆	20 ⁹ / ₁₆	24 ⁹ / ₁₆
	mm	2577	1283	522	624