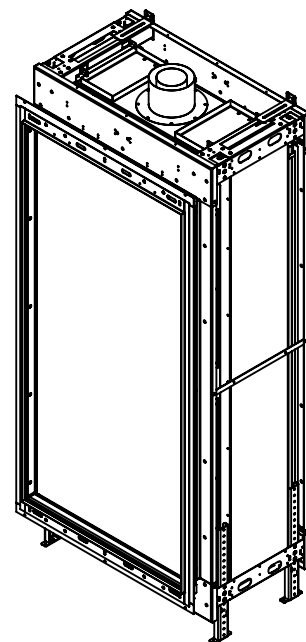
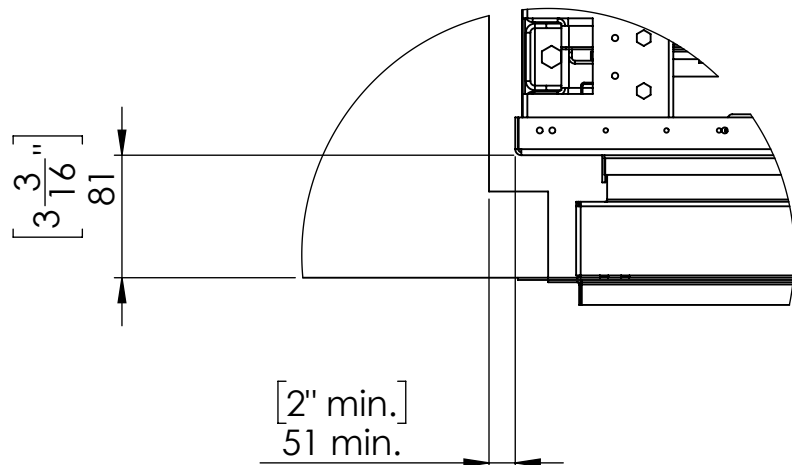
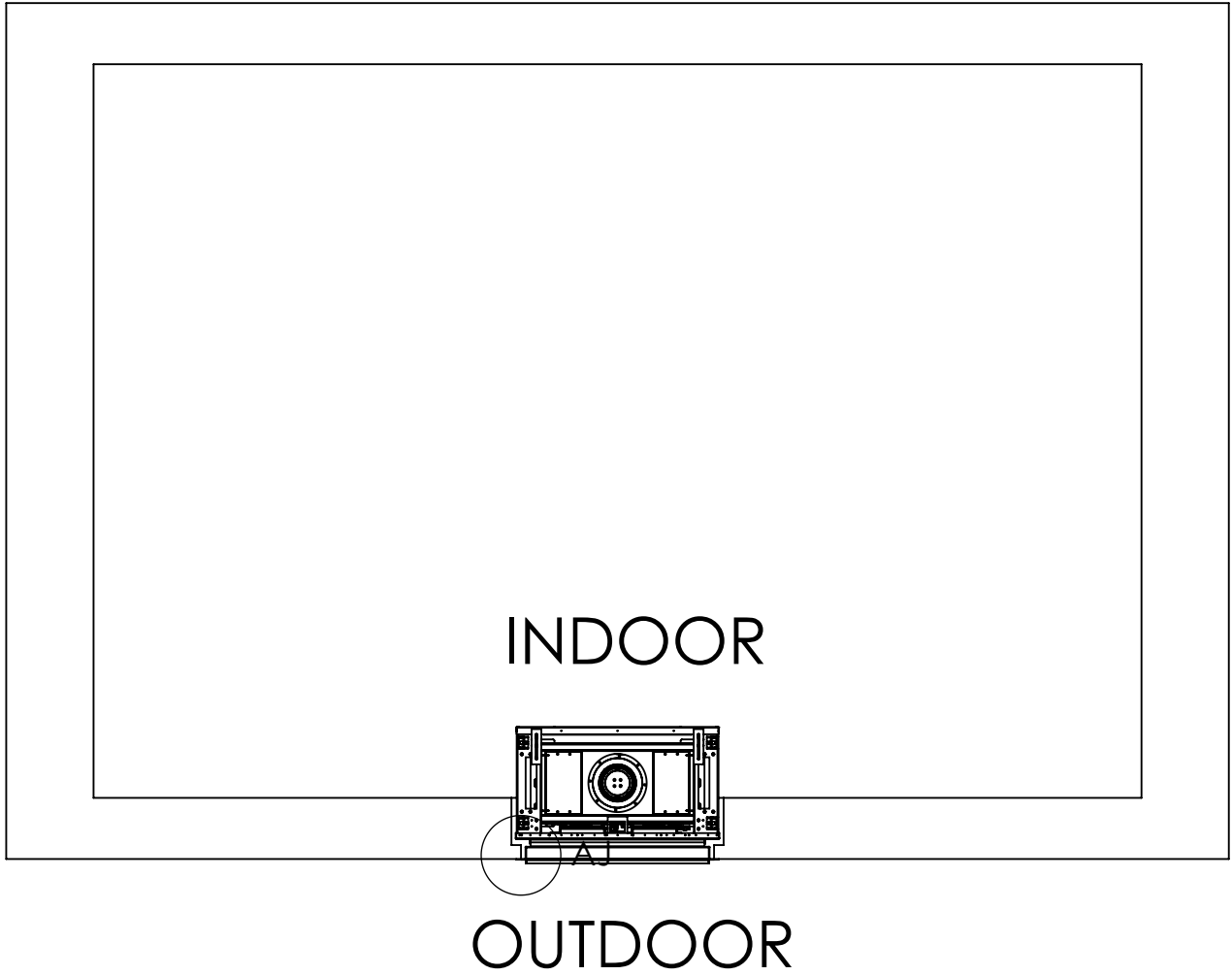


DETAIL A

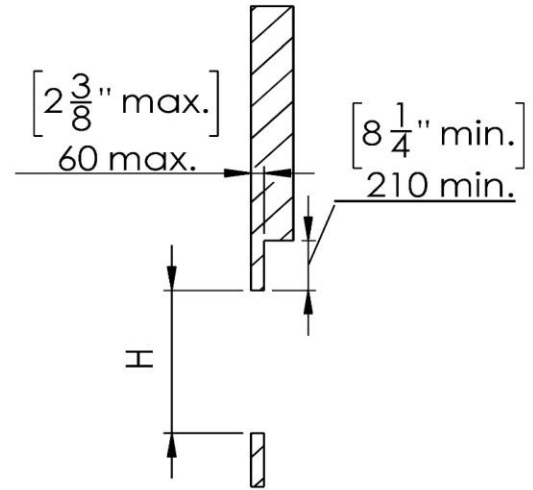
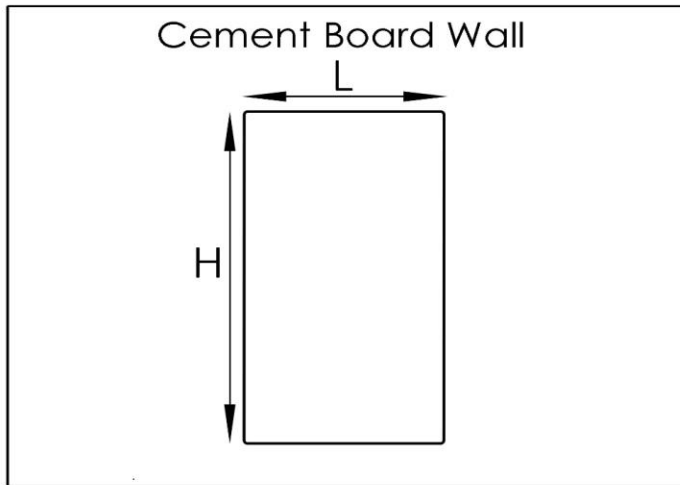
SCALE 2 : 25

Telescopic Leg Range
From bottom of glass: 10"-19"

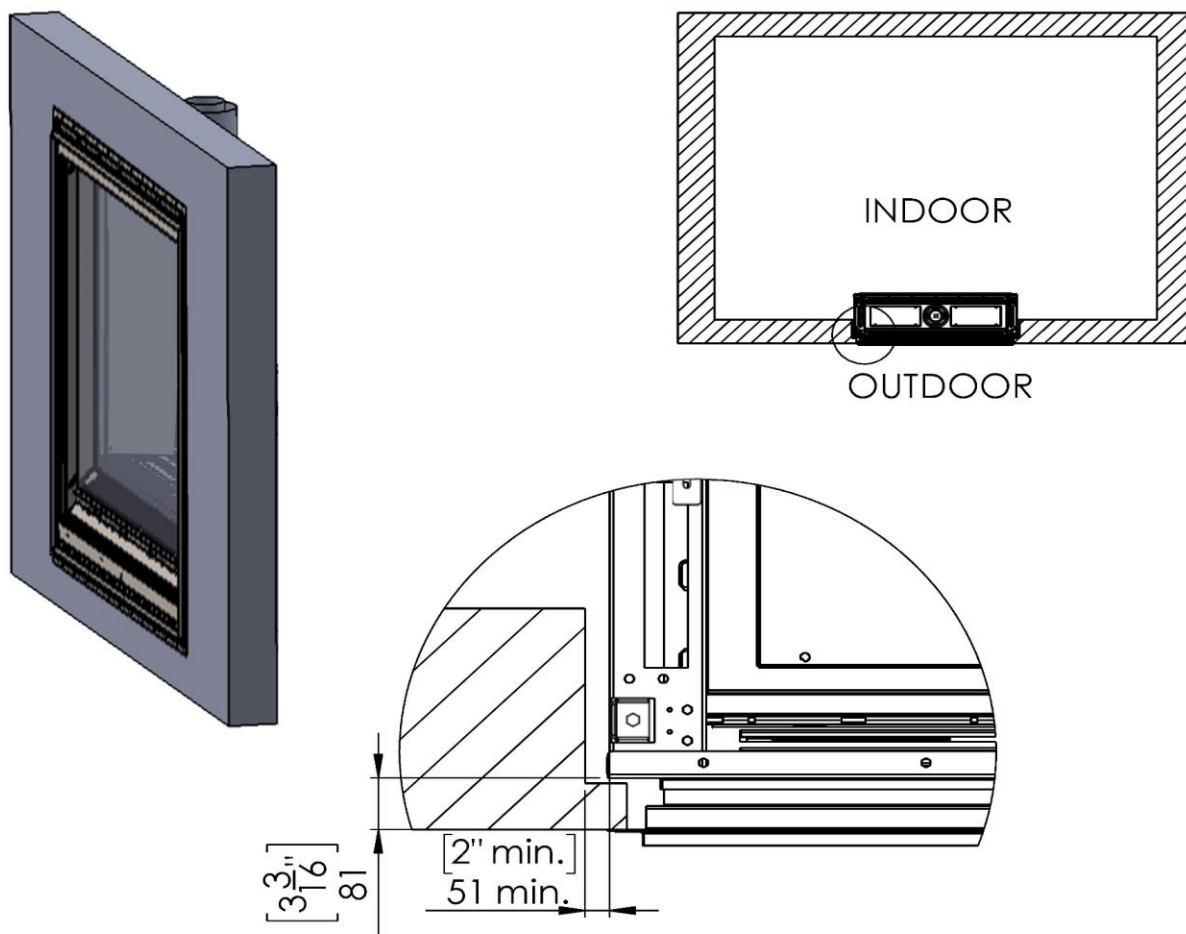




Outdoor Side- Opening Size



External Opening Dimensions			
		H	L
PASS-ST-OD	Inch	64 ⁵ / ₁₆ "	30 ¹³ / ₁₆ "
	mm	1633	783



Heat Release and Air Intakes

The following sizes MUST be maintained for the upper heat release (Interior Side Implementation):

For fireplaces sized **80" & 100"** – open vent area must be at least **200 square inches**.

For fireplaces sized **60" & 70"** – open vent area must be at least **140 square inches**.

For fireplace sized **50"** and below – open vent area must be at least **100 square inches**.

The following sizes MUST be maintained for the lower air intake (Interior Side Implementation):

For fireplaces sized **80" & 100"** – open vent area must be at least **100 square inches**.

For fireplaces sized **60" & 70"** - open vent area must be at least **70 square inches**.

For fireplaces sized **50"** and below - open vent area must be at least **50 square inches**.

For See Through and Room Definer fireplaces, the air intake requirements are **double**.

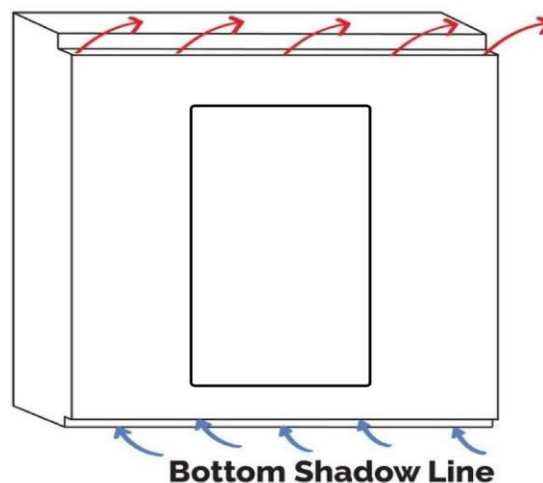
NOTE: Openings above for Heat Release and Air Intake are measured for open air space. BE SURE TO CALCULATE FOR RESTRICTIONS IN GRATING.

NOTE: On all See Through and Room Definer units the air intake must be doubled

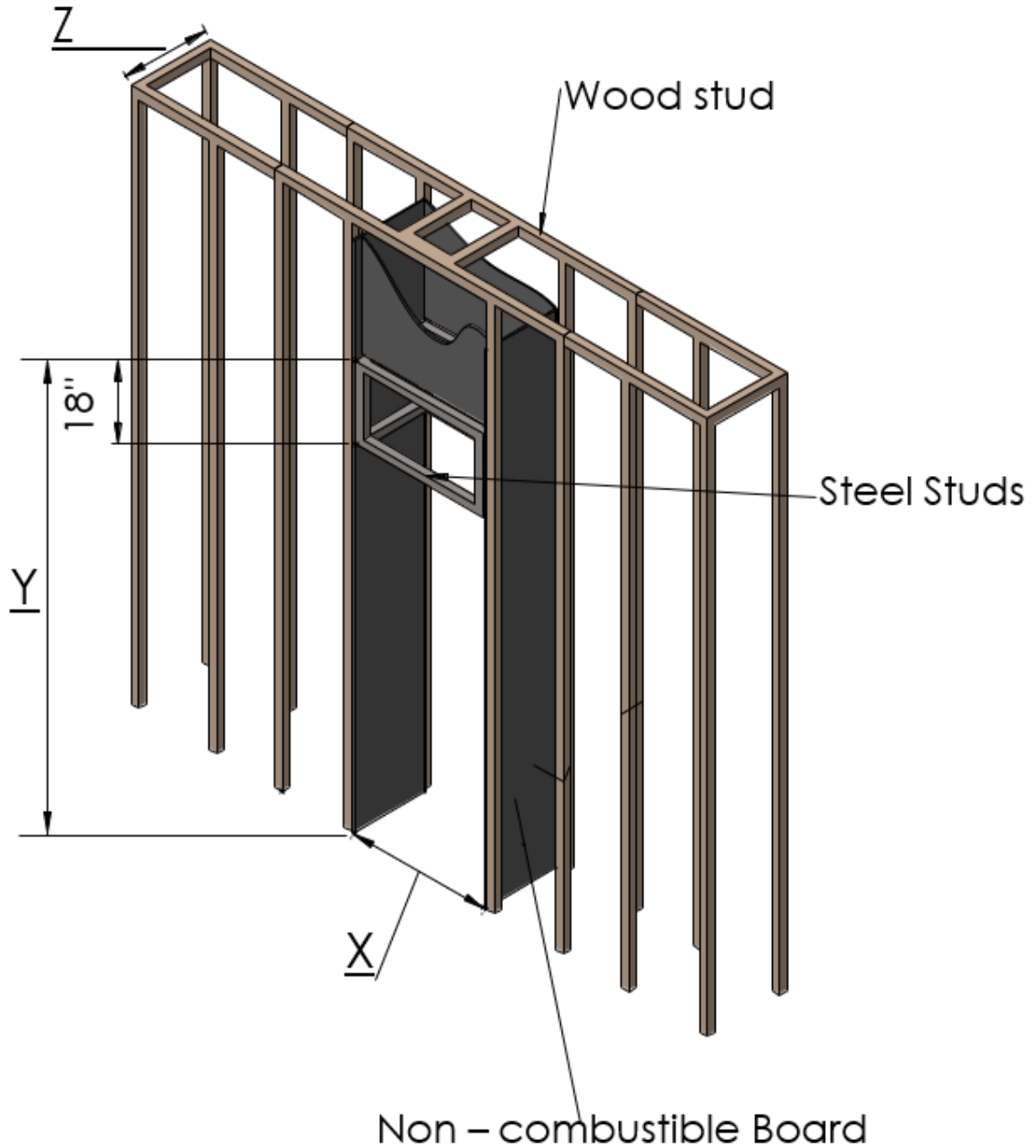
Air Intakes required for Double Glass or Optional Blower kits **ONLY**.

ANY PENETRATION INTO FIREPLACE CAVITY OF A FLARE USING THE OUTDOOR KIT MUST BE PLACED ON THE INDOOR PORTION OF THE BUILD TO PREVENT EXPOSURE TO THE OUTDOOR ELEMENTS.

Top Shadow Line



Wood Framing Dimensions



NOTE: Dimension 'Y' uses legs at default lowest height 4" below the unit with glass beginning 10" above the floor. Increase leg height and Y dimension for higher viewing window.

		X	Y	Z	
				Flat Installation	
PASS-ST-OD	Inch	38 13/16"	94 13/16"	21 4/16"	
	mm				