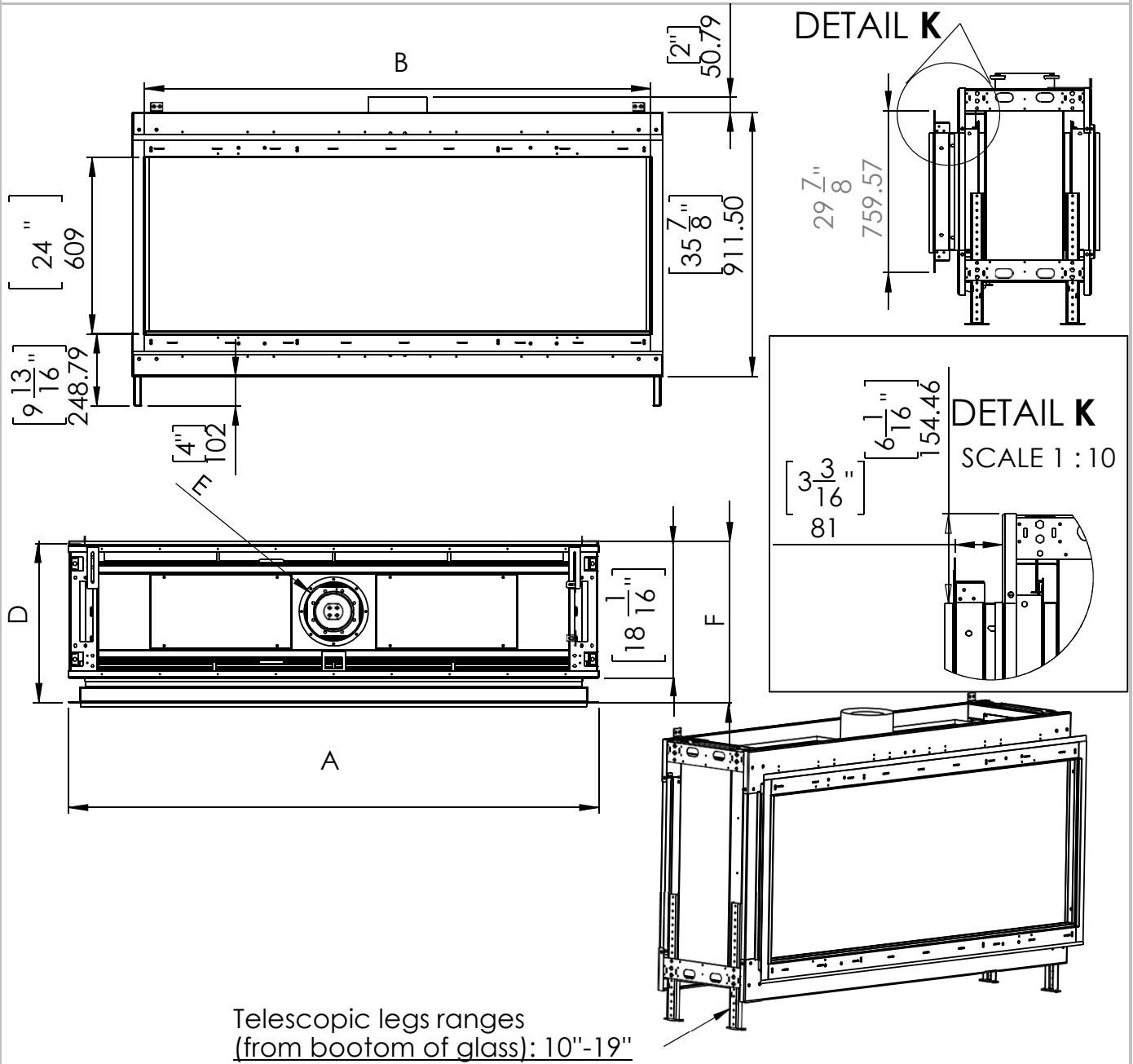
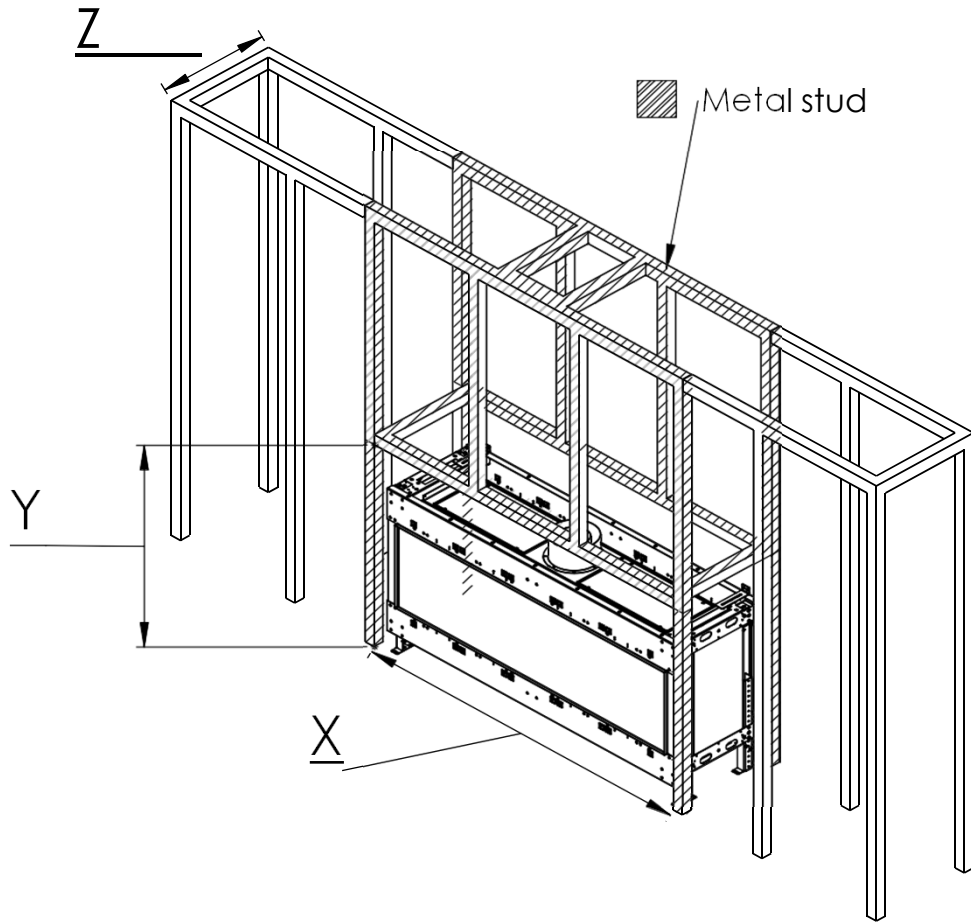


## Fireplace Dimensions



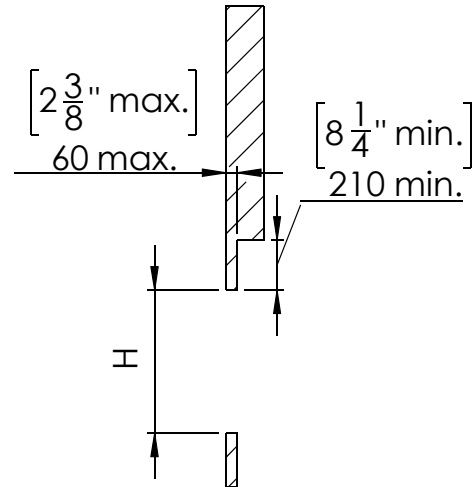
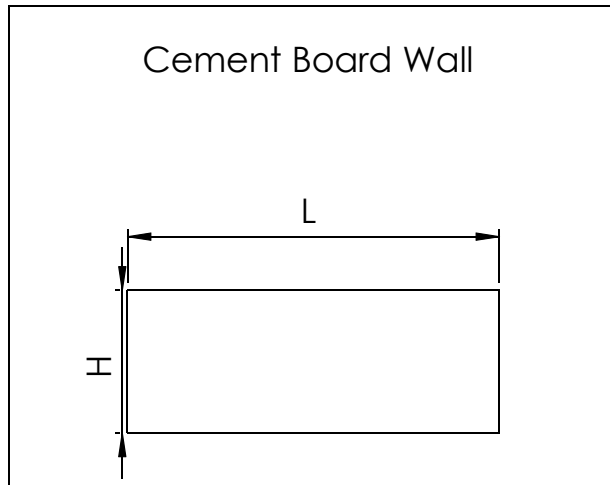
|         | 30       | 45       | 50      | 60       | 70       | 80       | 100       |
|---------|----------|----------|---------|----------|----------|----------|-----------|
| A- Inch | 32 13/16 | 45 13/16 | 52 8/16 | 62 5/16  | 72 3/16  | 84 12/16 | 101 11/16 |
| B- Inch | 29 6/16  | 42 5/16  | 49 1/16 | 57 13/16 | 68 12/16 | 81 5/16  | 98 4/16   |
| F- Inch | 22 8/16  | 22 8/16  | 22 8/16 | 22 8/16  | 22 8/16  | 22 8/16  | 22 8/16   |
| D- Inch | 21 6/16  | 21 6/16  | 21 6/16 | 21 6/16  | 21 6/16  | 21 6/16  | 21 6/16   |
| E- Inch | 4x6      | 4x6      | 5x8     | 5x8      | 5x8      | 5x8      | 5x8       |



**NOTE:** Dimension 'Y' uses legs at default lowest height 4" below the unit with glass beginning 10" above the floor. Increase leg height and Y dimension for higher viewing window.

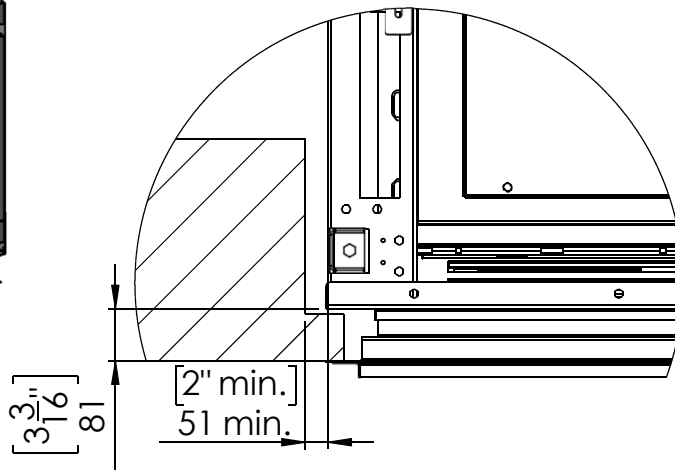
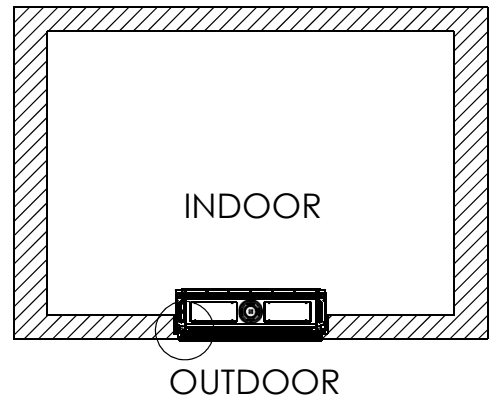
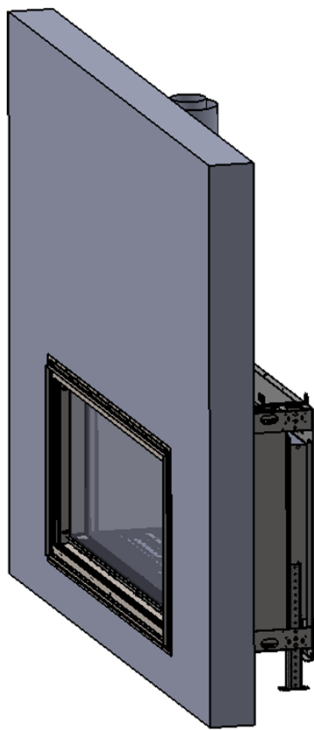
|     |      | X                                 | Y                               | Z                               |                                 |
|-----|------|-----------------------------------|---------------------------------|---------------------------------|---------------------------------|
|     |      |                                   |                                 | Flat Installation               | Recess Installation (4" Max)    |
| 30  | Inch | 33 <sup>13</sup> / <sub>16</sub>  | 40 <sup>6</sup> / <sub>16</sub> | 21 <sup>6</sup> / <sub>16</sub> | 29 <sup>6</sup> / <sub>16</sub> |
|     | mm   | 849                               | 1026                            | 543                             | 746                             |
| 45  | Inch | 46 <sup>13</sup> / <sub>16</sub>  | 40 <sup>6</sup> / <sub>16</sub> | 21 <sup>6</sup> / <sub>16</sub> | 29 <sup>6</sup> / <sub>16</sub> |
|     | mm   | 1175                              | 1026                            | 543                             | 746                             |
| 50  | Inch | 53 <sup>8</sup> / <sub>16</sub>   | 40 <sup>6</sup> / <sub>16</sub> | 21 <sup>6</sup> / <sub>16</sub> | 29 <sup>6</sup> / <sub>16</sub> |
|     | mm   | 1359                              | 1026                            | 543                             | 746                             |
| 60  | Inch | 63 <sup>5</sup> / <sub>16</sub>   | 40 <sup>6</sup> / <sub>16</sub> | 21 <sup>6</sup> / <sub>16</sub> | 29 <sup>6</sup> / <sub>16</sub> |
|     | mm   | 1608                              | 1026                            | 543                             | 746                             |
| 70  | Inch | 73 <sup>3</sup> / <sub>16</sub>   | 40 <sup>6</sup> / <sub>16</sub> | 21 <sup>6</sup> / <sub>16</sub> | 29 <sup>6</sup> / <sub>16</sub> |
|     | mm   | 1859                              | 1026                            | 543                             | 746                             |
| 80  | Inch | 85 <sup>12</sup> / <sub>16</sub>  | 40 <sup>6</sup> / <sub>16</sub> | 21 <sup>6</sup> / <sub>16</sub> | 29 <sup>6</sup> / <sub>16</sub> |
|     | mm   | 2178                              | 1026                            | 543                             | 746                             |
| 100 | Inch | 102 <sup>11</sup> / <sub>16</sub> | 40 <sup>6</sup> / <sub>16</sub> | 21 <sup>6</sup> / <sub>16</sub> | 29 <sup>6</sup> / <sub>16</sub> |
|     | mm   | 2608                              | 1026                            | 543                             | 746                             |

## Outdoor Side- Opening Size



### External Opening Dimensions

|            |      | H                 | L                 |
|------------|------|-------------------|-------------------|
| <b>30</b>  | Inch | $27\frac{14}{16}$ | $30\frac{13}{16}$ |
|            | mm   | 708               | 783               |
| <b>45</b>  | Inch | $27\frac{14}{16}$ | $43\frac{13}{16}$ |
|            | mm   | 708               | 1113              |
| <b>50</b>  | Inch | $27\frac{14}{16}$ | $50\frac{8}{16}$  |
|            | mm   | 708               | 1283              |
| <b>60</b>  | Inch | $27\frac{14}{16}$ | $60\frac{5}{16}$  |
|            | mm   | 708               | 1783              |
| <b>70</b>  | Inch | $27\frac{14}{16}$ | $70\frac{3}{16}$  |
|            | mm   | 708               | 1783              |
| <b>80</b>  | Inch | $27\frac{14}{16}$ | $82\frac{12}{16}$ |
|            | mm   | 708               | 2102              |
| <b>100</b> | Inch | $27\frac{14}{16}$ | $99\frac{11}{16}$ |
|            | mm   | 708               | 2532              |



## Heat Release and Air Intakes

**The following sizes MUST be maintained for the upper heat release (Interior Side Implementation):**

For fireplaces sized **80" & 100"** – open vent area must be at least **200 square inches**.

For fireplaces sized **60" & 70"** – open vent area must be at least **140 square inches**.

For fireplace sized **50"** and below – open vent area must be at least **100 square inches**.

**The following sizes MUST be maintained for the lower air intake (Interior Side Implementation):**

For fireplaces sized **80" & 100"** – open vent area must be at least **100 square inches**.

For fireplaces sized **60" & 70"** - open vent area must be at least **70 square inches**.

For fireplaces sized **50"** and below - open vent area must be at least **50 square inches**.

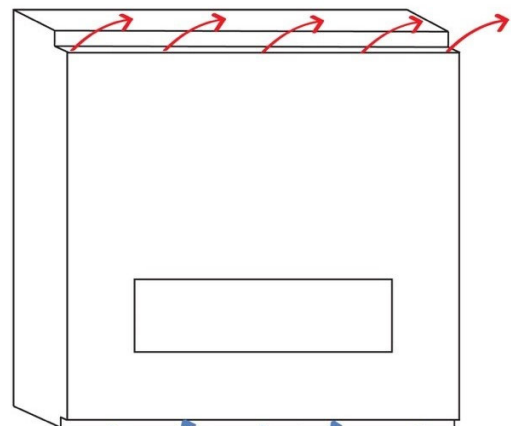
For See Through and Room Definer fireplaces, the air intake requirements are **double**.

**NOTE: Openings above for Heat Release and Air Intake are measured for open air space. BE SURE TO CALCULATE FOR RESTRICTIONS IN GRATING.**

**NOTE: On all See Through and Room Definer units the air intake must be doubled**

Air Intakes required for Double Glass or Optional Blower kits ONLY.

**Top Shadow Line**



**Bottom Shadow Line**