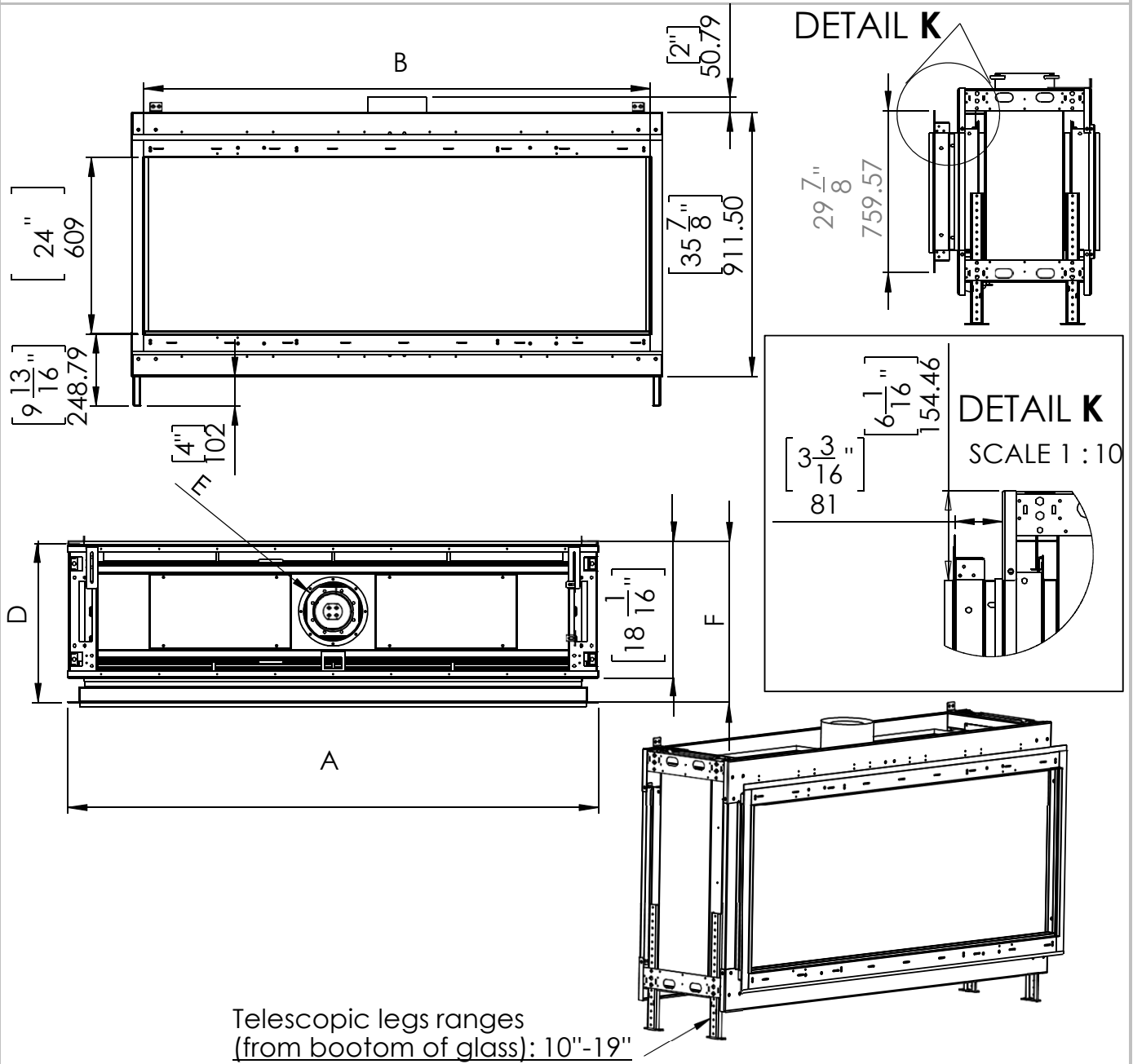


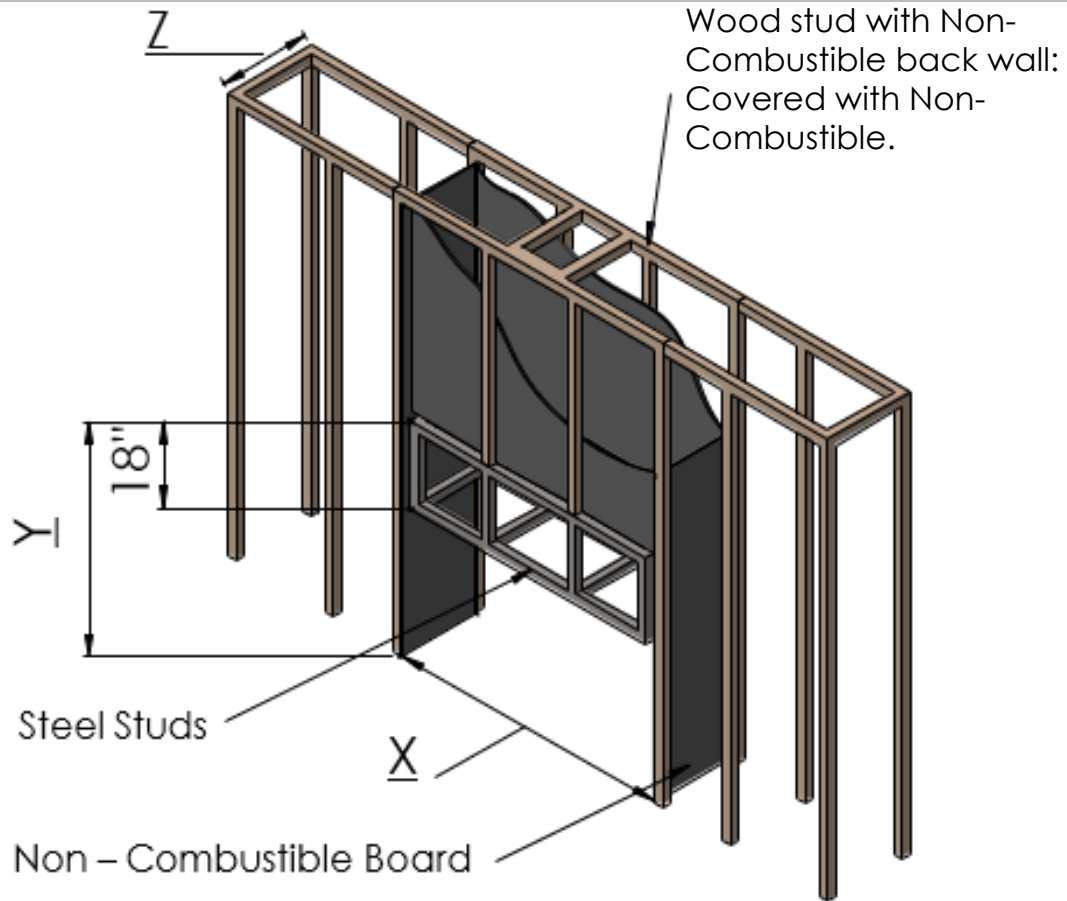


# Flare See Through Outdoor- Wood Frame- High Glass

## Fireplace Dimensions



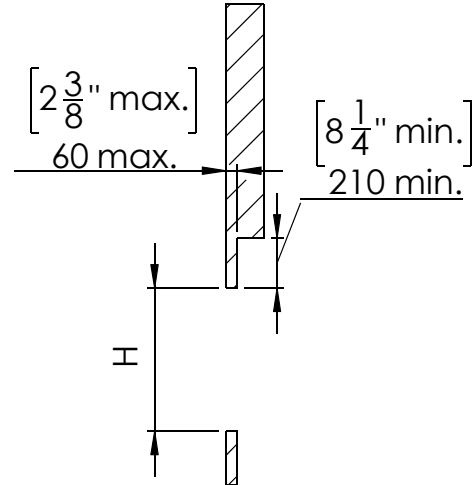
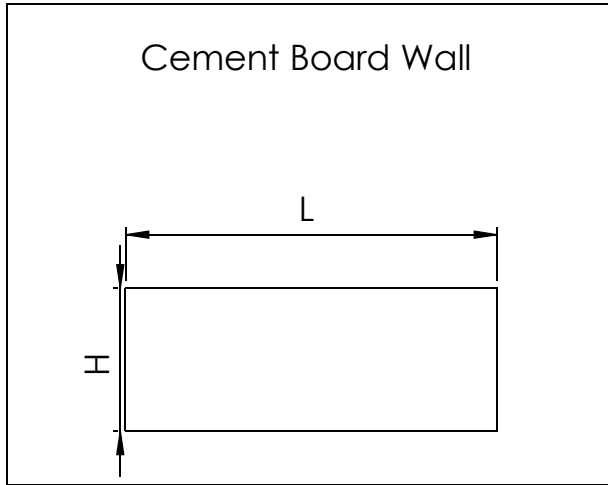
	30	45	50	60	70	80	100
A- Inch	$32 \frac{13}{16}$	$45 \frac{13}{16}$	$52 \frac{8}{16}$	$62 \frac{5}{16}$	$72 \frac{3}{16}$	$84 \frac{12}{16}$	$101 \frac{11}{16}$
B- Inch	$29 \frac{6}{16}$	$42 \frac{5}{16}$	$49 \frac{1}{16}$	$57 \frac{14}{16}$	$68 \frac{12}{16}$	$81 \frac{5}{16}$	$98 \frac{4}{16}$
F- Inch	$22 \frac{6}{16}$	$22 \frac{6}{16}$	$22 \frac{6}{16}$	$22 \frac{6}{16}$	$22 \frac{6}{16}$	$22 \frac{6}{16}$	$22 \frac{6}{16}$
D- Inch	$21 \frac{6}{16}$	$21 \frac{6}{16}$	$21 \frac{6}{16}$	$21 \frac{6}{16}$	$21 \frac{6}{16}$	$21 \frac{6}{16}$	$21 \frac{6}{16}$
E- Inch	4x6	4x6	5x8	5x8	5x8	5x8	5x8



**NOTE: Dimension 'Y' uses legs at default lowest height 4" below the unit with glass beginning 10" above the floor. Increase leg height and Y dimension for higher viewing window.**

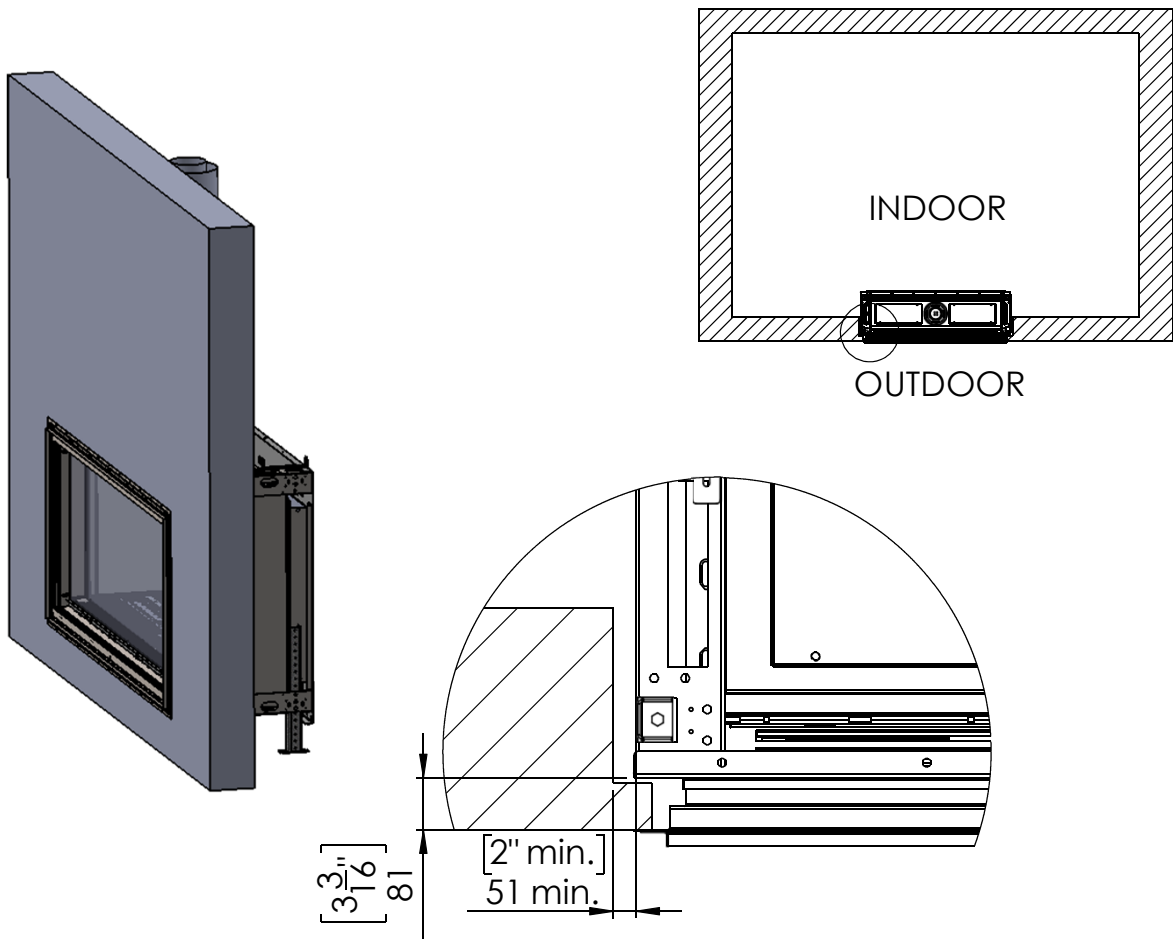
		X	Y	Z	
				Flat Installation	Recess Installation (4" Max)
30	Inch	38 <sup>13</sup> / <sub>16</sub>	58 <sup>8</sup> / <sub>16</sub>	21 <sup>6</sup> / <sub>16</sub>	29 <sup>6</sup> / <sub>16</sub>
	mm	974	1486	543	746
45	Inch	51 <sup>13</sup> / <sub>16</sub>	58 <sup>8</sup> / <sub>16</sub>	21 <sup>6</sup> / <sub>16</sub>	29 <sup>6</sup> / <sub>16</sub>
	mm	1300	1486	543	746
50	Inch	58 <sup>8</sup> / <sub>16</sub>	58 <sup>8</sup> / <sub>16</sub>	21 <sup>6</sup> / <sub>16</sub>	29 <sup>6</sup> / <sub>16</sub>
	mm	1486	1486	543	746
60	Inch	68 <sup>5</sup> / <sub>16</sub>	58 <sup>8</sup> / <sub>16</sub>	21 <sup>6</sup> / <sub>16</sub>	29 <sup>6</sup> / <sub>16</sub>
	mm	1735	1486	543	746
70	Inch	78 <sup>3</sup> / <sub>16</sub>	58 <sup>8</sup> / <sub>16</sub>	21 <sup>6</sup> / <sub>16</sub>	29 <sup>6</sup> / <sub>16</sub>
	mm	1986	1486	543	746
80	Inch	90 <sup>12</sup> / <sub>16</sub>	58 <sup>8</sup> / <sub>16</sub>	21 <sup>6</sup> / <sub>16</sub>	29 <sup>6</sup> / <sub>16</sub>
	mm	2305	1486	543	746
100	Inch	107 <sup>11</sup> / <sub>16</sub>	58 <sup>8</sup> / <sub>16</sub>	21 <sup>6</sup> / <sub>16</sub>	29 <sup>6</sup> / <sub>16</sub>
	mm	2735	1486	543	746

## Outdoor Side- Opening Size



**External Opening Dimensions**

		H	L
<b>30</b>	Inch	27 <sup>14</sup> / <sub>16</sub>	30 <sup>11</sup> / <sub>16</sub>
	mm	708	779
<b>45</b>	Inch	27 <sup>14</sup> / <sub>16</sub>	43 <sup>13</sup> / <sub>16</sub>
	mm	708	1113
<b>50</b>	Inch	27 <sup>14</sup> / <sub>16</sub>	50 <sup>8</sup> / <sub>16</sub>
	mm	708	1283
<b>60</b>	Inch	27 <sup>14</sup> / <sub>16</sub>	60 <sup>5</sup> / <sub>16</sub>
	mm	708	1783
<b>70</b>	Inch	27 <sup>14</sup> / <sub>16</sub>	70 <sup>3</sup> / <sub>16</sub>
	mm	708	1783
<b>80</b>	Inch	27 <sup>14</sup> / <sub>16</sub>	82 <sup>12</sup> / <sub>16</sub>
	mm	708	2102
<b>100</b>	Inch	27 <sup>14</sup> / <sub>16</sub>	99 <sup>11</sup> / <sub>16</sub>
	mm	708	2532



## Heat Release and Air Intakes

**The following sizes MUST be maintained for the upper heat release (Interior Side Implementation):**

For fireplaces sized **80" & 100"** – open vent area must be at least **200 square inches**.

For fireplaces sized **60" & 70"** – open vent area must be at least **140 square inches**.

For fireplace sized **50"** and below – open vent area must be at least **100 square inches**.

**The following sizes MUST be maintained for the lower air intake (Interior Side Implementation):**

For fireplaces sized **80" & 100"** – open vent area must be at least **100 square inches**.

For fireplaces sized **60" & 70"** - open vent area must be at least **70 square inches**.

For fireplaces sized **50"** and below - open vent area must be at least **50 square inches**.

For See Through and Room Definer fireplaces, the air intake requirements are **double**.

**NOTE: Openings above for Heat Release and Air Intake are measured for open air space. BE SURE TO CALCULATE FOR RESTRICTIONS IN GRATING.**

**NOTE: On all See Through and Room Definer units the air intake must be doubled**

Air Intakes required for Double Glass or Optional Blower kits ONLY.

