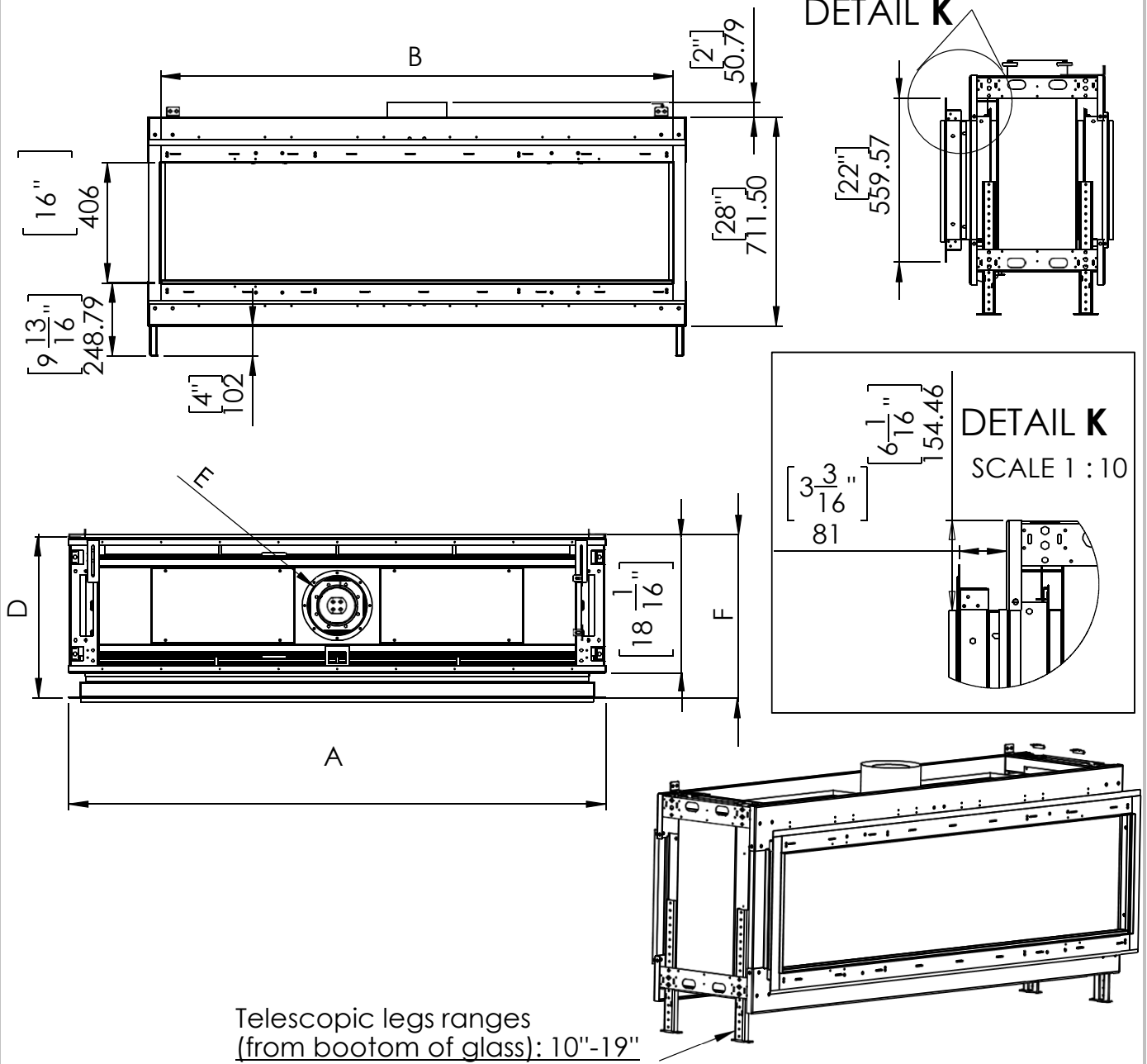
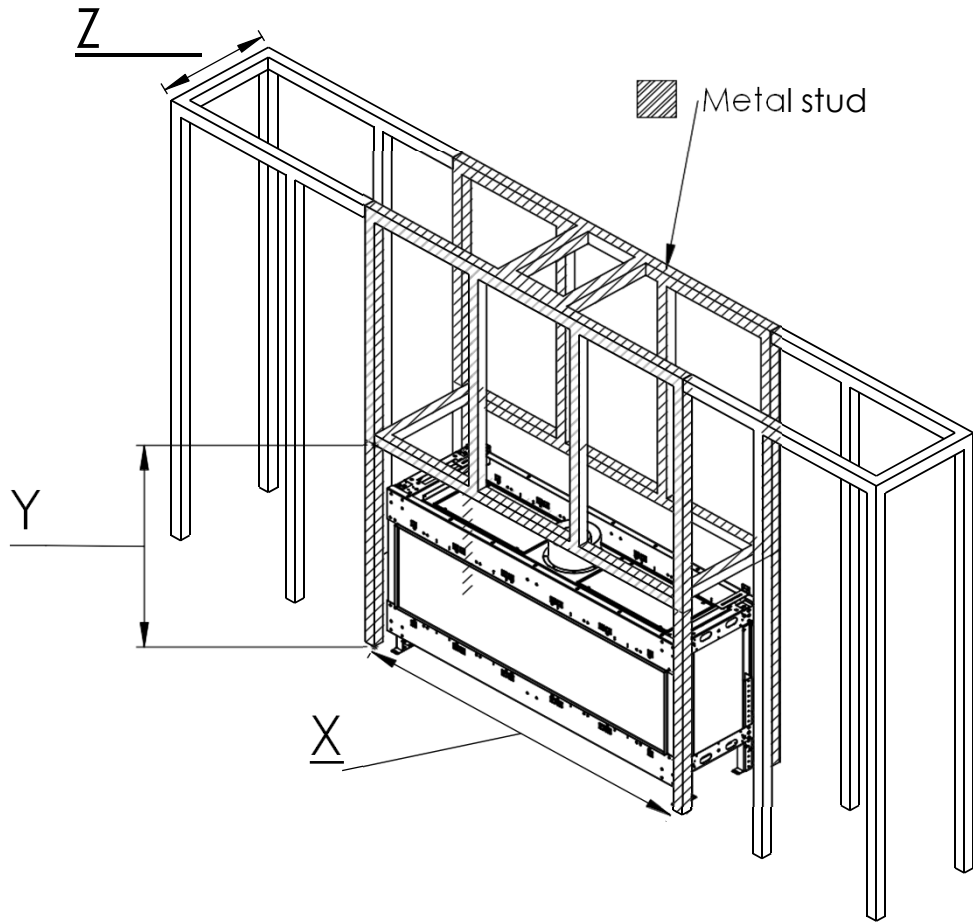


Fireplace Dimensions



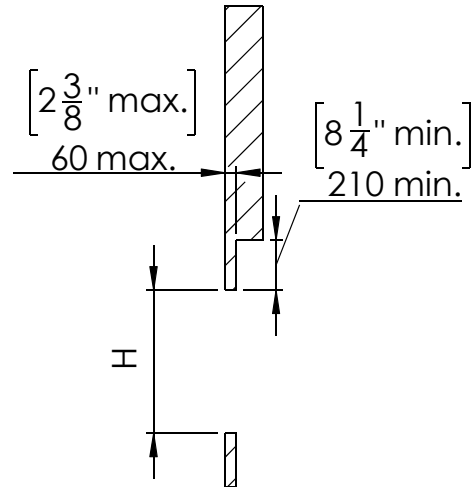
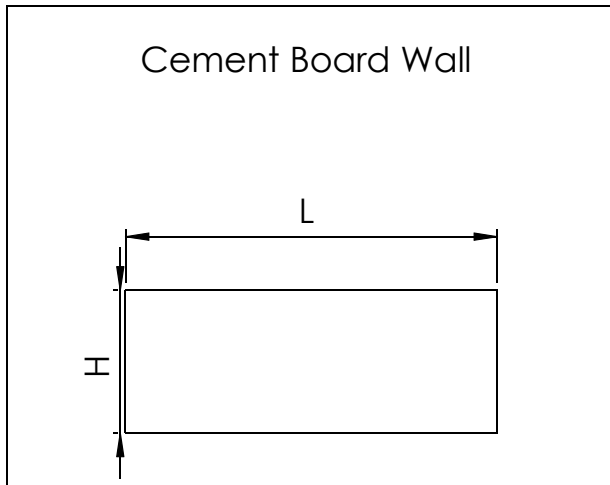
	45	50	60	70	80	100
A- Inch	45 ¹³ / ₁₆	52 ⁸ / ₁₆	62 ⁵ / ₁₆	72 ³ / ₁₆	84 ¹² / ₁₆	101 ¹¹ / ₁₆
B- Inch	42 ⁵ / ₁₆	49 ¹ / ₁₆	58 ¹⁴ / ₁₆	68 ¹² / ₁₆	81 ⁵ / ₁₆	98 ⁴ / ₁₆
F- Inch	22 ⁶ / ₁₆	22 ⁶ / ₁₆	22 ⁶ / ₁₆	22 ⁶ / ₁₆	22 ⁶ / ₁₆	22 ⁶ / ₁₆
D- Inch	21 ⁶ / ₁₆	21 ⁶ / ₁₆	21 ⁶ / ₁₆	21 ⁶ / ₁₆	21 ⁶ / ₁₆	21 ⁶ / ₁₆
E- Inch	4x6	5x8	5x8	5x8	5x8	5x8



NOTE: Dimension 'Y' uses legs at default lowest height 4" below the unit with glass beginning 10" above the floor. Increase leg height and Y dimension for higher viewing window.

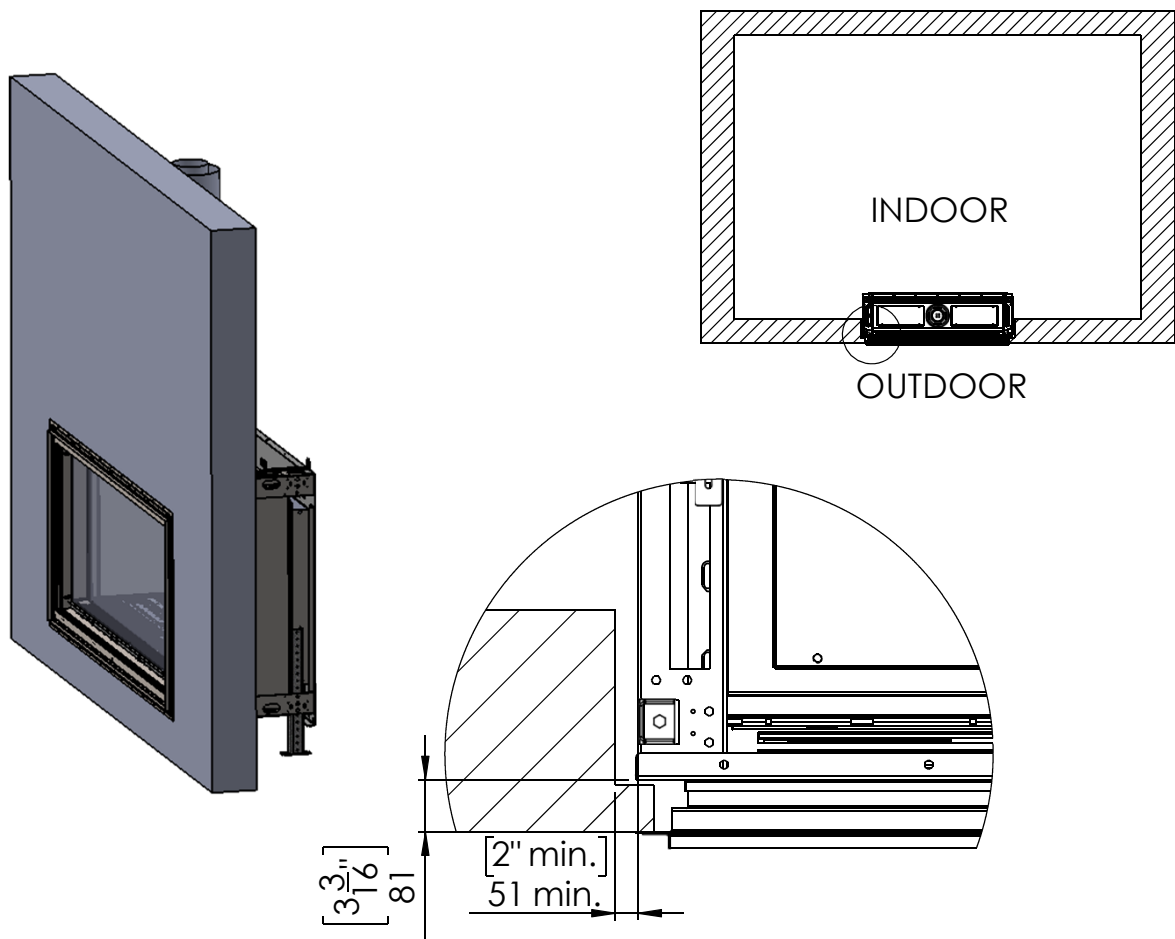
		X	Y	Z	
				Flat Installation	Recess Installation (4" Max)
45	Inch	46 ¹³ / ₁₆	32 ⁸ / ₁₆	21 ⁶ / ₁₆	29 ⁶ / ₁₆
	mm	1175	826	543	746
50	Inch	53 ⁸ / ₁₆	32 ⁸ / ₁₆	21 ⁶ / ₁₆	29 ⁶ / ₁₆
	mm	1359	826	543	746
60	Inch	63 ⁵ / ₁₆	32 ⁸ / ₁₆	21 ⁶ / ₁₆	29 ⁶ / ₁₆
	mm	1608	826	543	746
70	Inch	73 ³ / ₁₆	32 ⁸ / ₁₆	21 ⁶ / ₁₆	29 ⁶ / ₁₆
	mm	1859	826	543	746
80	Inch	85 ¹² / ₁₆	32 ⁸ / ₁₆	21 ⁶ / ₁₆	29 ⁶ / ₁₆
	mm	2178	826	543	746
100	Inch	102 ¹¹ / ₁₆	32 ⁸ / ₁₆	21 ⁶ / ₁₆	29 ⁶ / ₁₆
	mm	2608	826	543	746

Outdoor Side- Opening Size



External Opening Dimensions

		H	L
45	Inch	20	43 ¹³ / ₁₆
	mm	508	1113
50	Inch	20	50 ⁸ / ₁₆
	mm	508	1283
60	Inch	20	60 ⁵ / ₁₆
	mm	508	1783
70	Inch	20	70 ³ / ₁₆
	mm	508	1783
80	Inch	20	82 ¹² / ₁₆
	mm	508	2102
100	Inch	20	99 ¹¹ / ₁₆
	mm	508	2532



Heat Release and Air Intakes

The following sizes MUST be maintained for the upper heat release (Interior Side Implementation):

For fireplaces sized **80" & 100"** – open vent area must be at least **200 square inches**.

For fireplaces sized **60" & 70"** – open vent area must be at least **140 square inches**.

For fireplace sized **50"** and below – open vent area must be at least **100 square inches**.

The following sizes MUST be maintained for the lower air intake (Interior Side Implementation):

For fireplaces sized **80" & 100"** – open vent area must be at least **100 square inches**.

For fireplaces sized **60" & 70"** - open vent area must be at least **70 square inches**.

For fireplaces sized **50"** and below - open vent area must be at least **50 square inches**.

For See Through and Room Definer fireplaces, the air intake requirements are **double**.

NOTE: Openings above for Heat Release and Air Intake are measured for open air space. BE SURE TO CALCULATE FOR RESTRICTIONS IN GRATING.

NOTE: On all See Through and Room Definer units the air intake must be doubled

Air Intakes required for Double Glass or Optional Blower kits ONLY.

