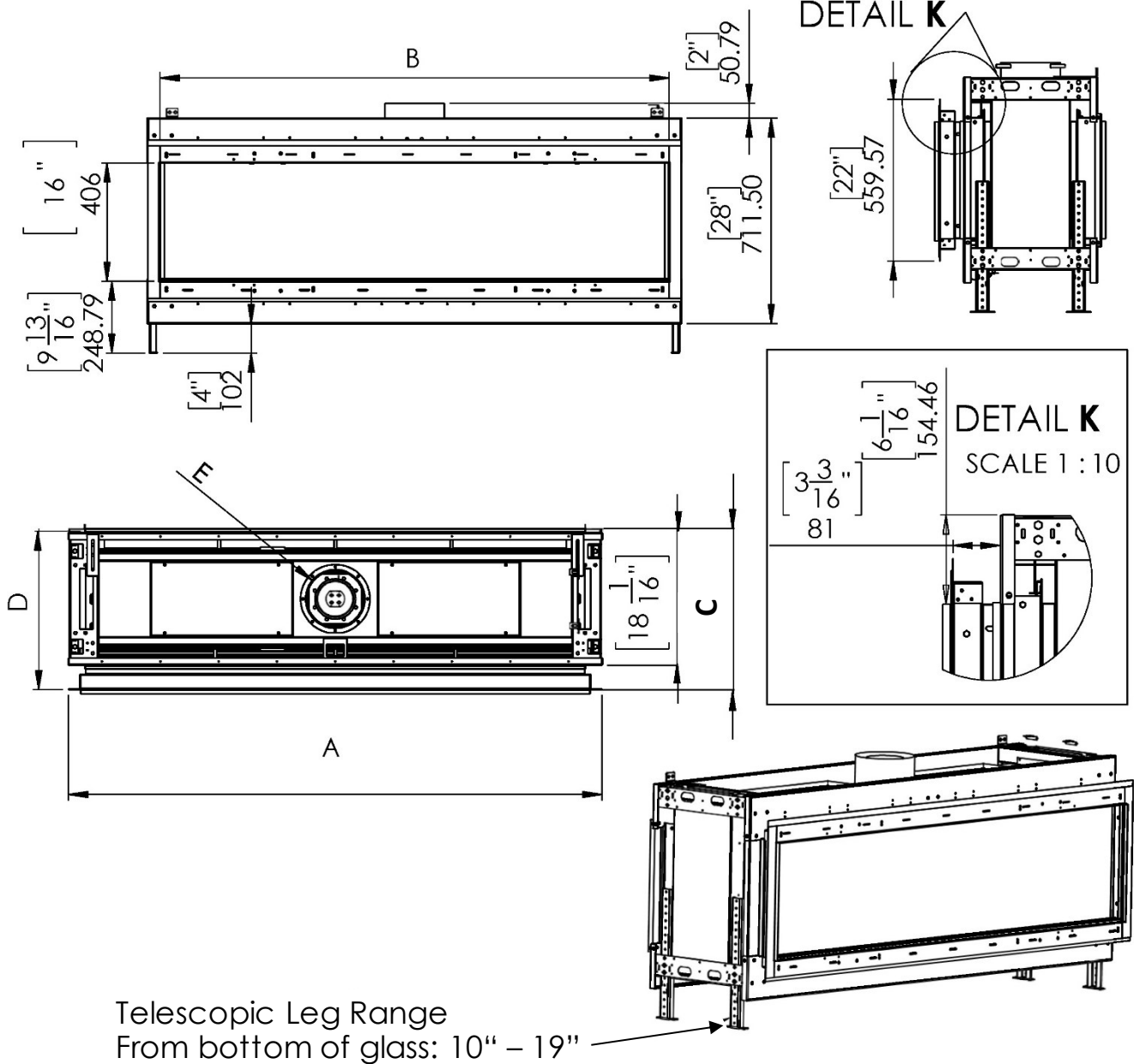
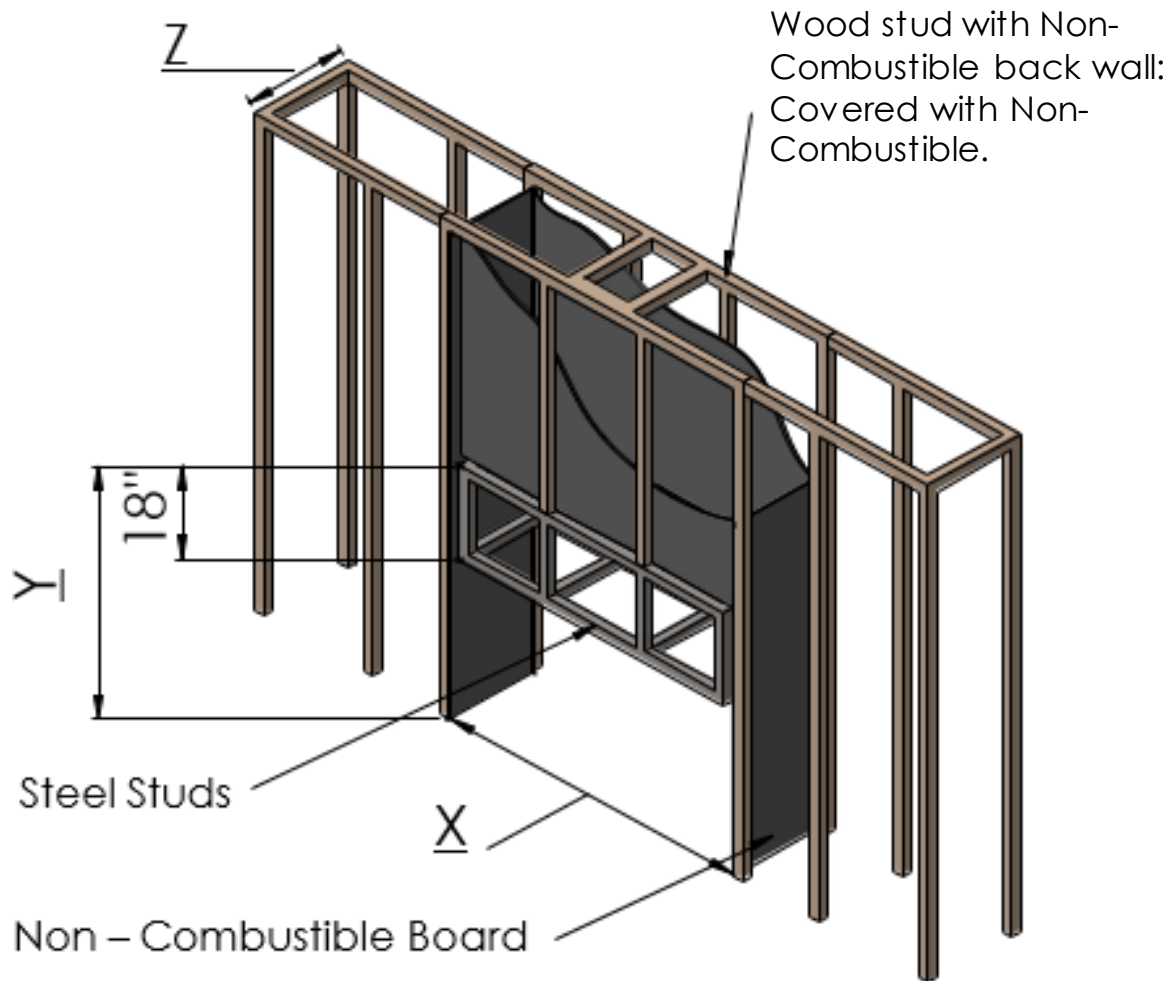


Fireplace Dimensions



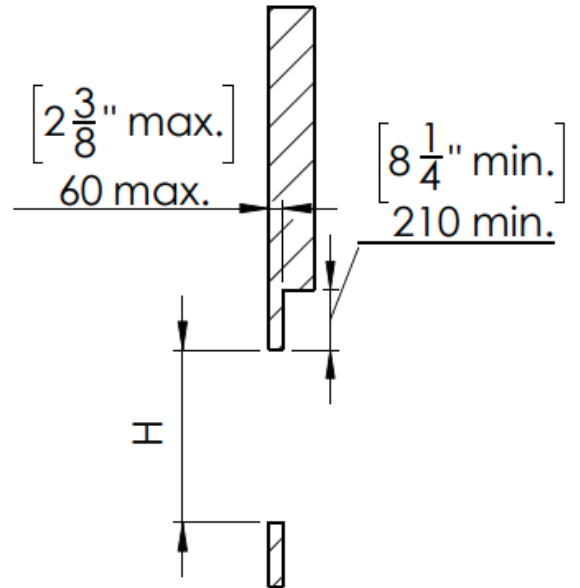
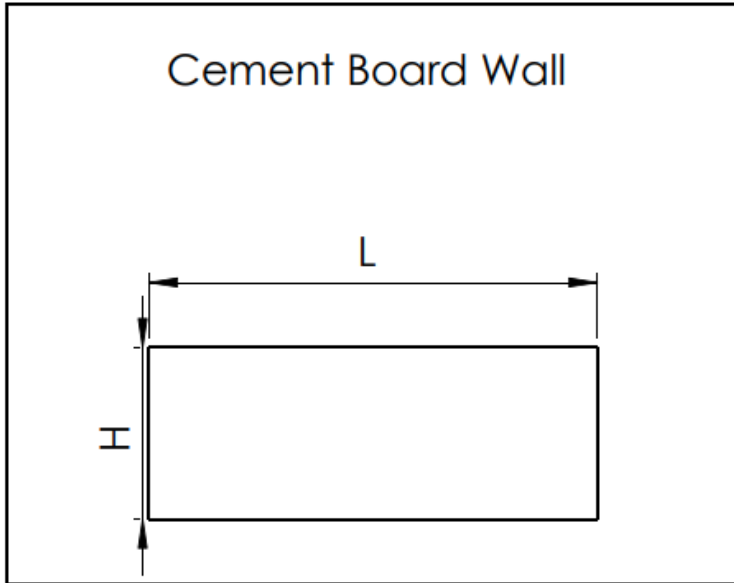
Model		45	50	60	70	80	100
A	IN	45 13/16	52 8/16	62 5/16	72 3/16	84 12/16	101 11/16
	MM	1163	1333	1582	1833	2152	2582
B	IN	42 5/16	49 1/16	58 14/16	68 12/16	81 5/16	98 4/16
	MM	1074	1246	1495	1746	2065	2495
C	IN	22 6/16	22 6/16	22 6/16	22 6/16	22 6/16	22 6/16
	MM	568	568	568	568	568	568
D	IN	21 6/16	21 6/16	21 6/16	21 6/16	21 6/16	21 6/16
	MM	542	542	542	542	542	542
E	IN	4x6	5x8	5x8	5x8	5x8	5x8
	MM	101x152	127x203	127x203	127x203	127x203	127x203



NOTE: Dimension “Y” assumes the fireplace legs are set to the default height of 4”, placing the glass opening at 10” above the floor. This “Y” dimension can change based on where your client wants their viewing window.

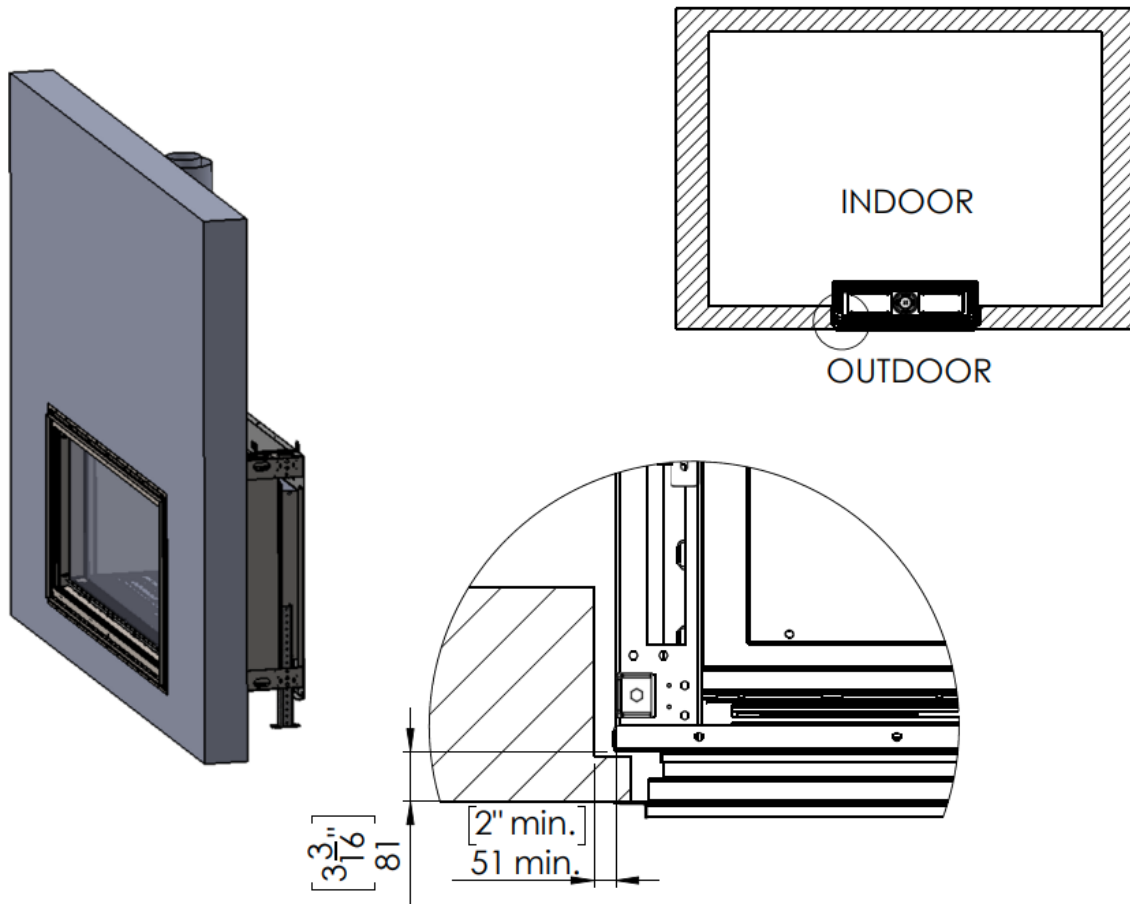
*All framing and finishing must be secured to your projects back wall, ceiling or floor and must never bear weight on the fireplace in any circumstance. For more information reference the [Installation Manual](#).

Model		X	Y	Z	
				Flat Installation	Recess Installation (4")
45	IN	51 13/16	50 8/16	21 6/16	29 6/16
	MM	1316	1282	543	746
50	IN	58 8/16	50 8/16	21 6/16	29 6/16
	MM	1485	1282	543	746
60	IN	68 5/16	50 8/16	21 6/16	29 6/16
	MM	1735	1282	543	746
70	IN	78 3/16	50 8/16	21 6/16	29 6/16
	MM	1985	1282	543	746
80	IN	90 12/16	50 8/16	21 6/16	29 6/16
	MM	2305	1282	543	746
100	IN	107 11/16	50 8/16	21 6/16	29 6/16
	MM	2735	1282	543	746



Outdoor Kit Opening Dimensions

		H	L
45	IN	20	43 13/16
	MM	508	1113
50	IN	20	50 8/16
	MM	508	1283
60	IN	20	60 5/16
	MM	508	1532
70	IN	20	70 3/16
	MM	508	1783
80	IN	20	82 12/16
	MM	508	2102
100	IN	20	99 11/16
	MM	508	2532



Heat Release and Air Intake

Required Heat Release Open Air-Flow Minimum

80" and 100" Fireplaces - 200 square inches minimum.

60" and 70" Fireplaces - 140 square inches minimum.

30", 45", 50" Fireplaces - 100 square inches minimum.

*(****Openings must be interior facing)*

Required Air Intake Open Air-Flow Minimum

80" and 100" Fireplaces - 100 square inches minimum.

60" and 70" Fireplaces - 70 square inches minimum.

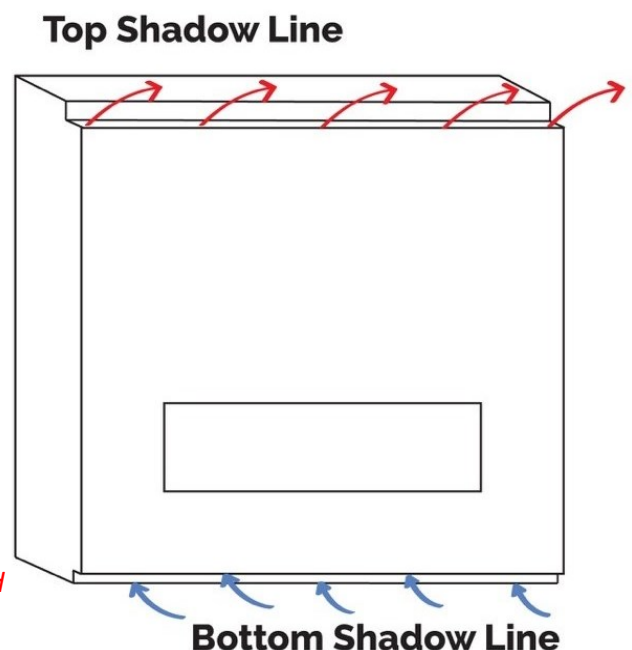
30", 45", 50" Fireplaces - 50 square inches minimum.

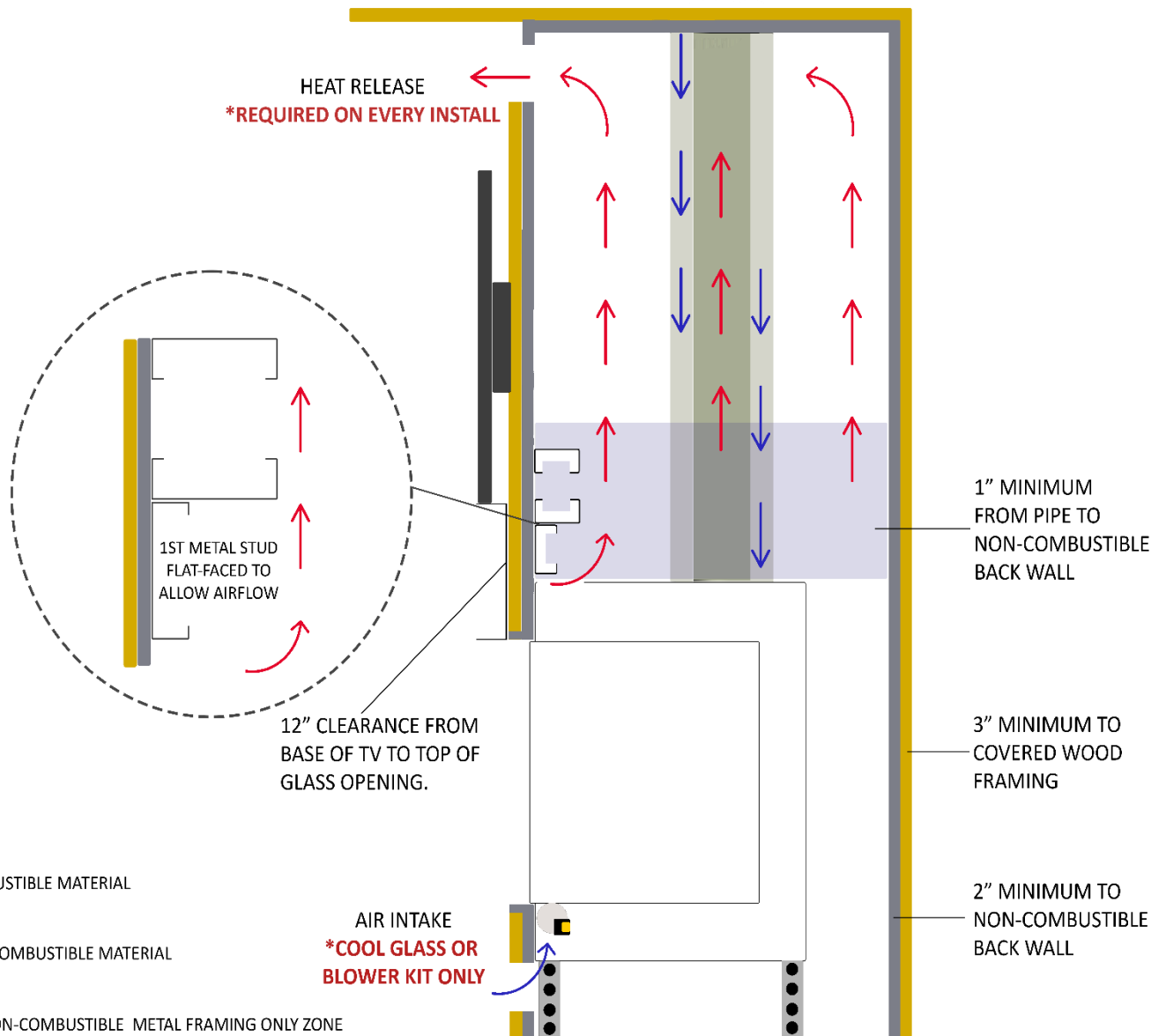
*(*Blower Kit and Cool Glass)*

*(**See Through and Room Definers Require the Intake to Doubled and Balanced in Size and Positioning on Both Long Sides.)*

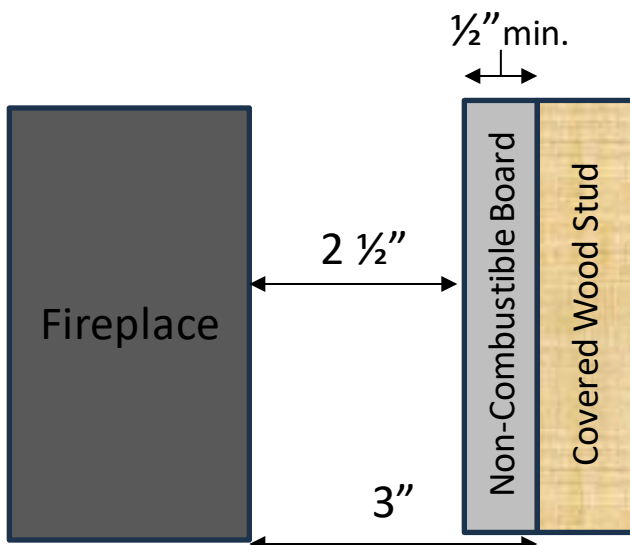
*(***Openings are measured for open air-flow)*

*(****Openings must be interior facing)*





Wood Framing Clearances and Materials Example



*Any combustible material found within the fireplace cavity must be covered with a minimum 1/2" thick non-combustible board and maintain a 3" clearance to the sides and back of the fireplace.