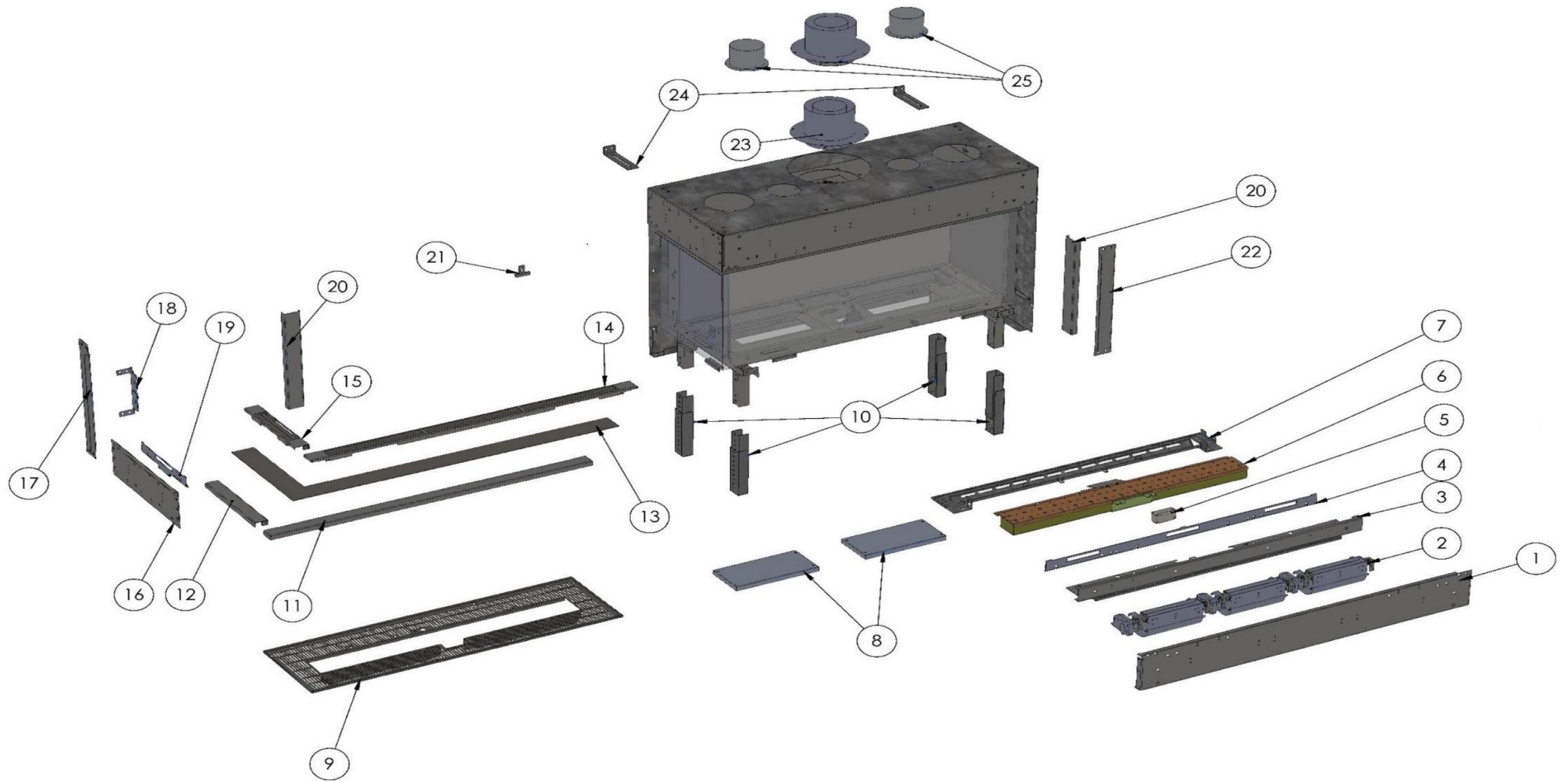


LEFT CORNER - PARTS LIST



<u>ITEM</u>	<u>PART NUMBER</u>	<u>DESCRIPTION</u>
1	CXXX-05-11	Frame for Left Corner Fireplace
2	8" DG FAN	Double Glass Fan
3	CXXX-11-11	Service Panel With LED
	CXXX-11-11-W	Service Panel Without LED
4	RDXXX-01-11	Horizontal Rails For Left Corner Fireplace
5	G-01-14	Low Profile Pilot Cover
6	Burner-XXX	30", 45", 50", 60", 70", 80", 100"
7	CXXX-07-11	LED Holder (With LED)
	CXXX-07-11-W	LED Holder (Without LED)
8	CXXX-Pressure Cap Up	Pressure Cap Up
	CXXX-Pressure Cap Down	Pressure Cap Down
9	CXXX-06	Burner Tray
10	G-08+09-11	Telescopic Legs For Corner Fireplace
11	CXXX-10-11-S	Horizontal Filler For Screen Fireplaces
12	C-16-11-screen	Horizontal Side-Filler For Left Corner Fireplace With A Screen
13	RC-XXX-Filler-73-(R/H/EH)	Screen Replacement Filler (<i>Discontinued</i>)
14	CXXX-10-11	Horizontal Filler For Left Corner Double Glass Fireplaces
15	C-16-11	Horizontal Side-Filler For Left Corner Fireplaces With Double Glass
16	C-04-11	Horizontal Side-Frame For Left Corner Fireplace
17	C-10(R/H)-11	Vertical Side-Frame For Left Corner Fireplace
18	G-29	Vertical Rail
19	C-14-11	Horizontal Rail
20	C-11(R/H)-11	Vertical Side-Filler For Corner Units With Double Glass
	C-11(R/H)-11-N	Vertical Side-Filler For Corner Units With Screen
21	G-22	Reflective Back Holder
22	C-30(R/H)-11	Vertical Front-Frame
23	4x6 vent adapter	Vent Adapter For 30" And 45" Fireplaces
	5x8 vent adapter	Vent Adapter For 50", 60", 70", 80", 100" Fireplaces
	3x5 vent adapter	Vent Adapter For Power Vented Units
24	G-02	Stabilization Brackets
25	SKCOVER-XX	Summer Kit Cover

XXX Represents The Size Of The Fireplace - (30", 45", 50", 60", 70", 80", 100")

R/H Represents Fireplace Glass Height - (R-16", H-24")