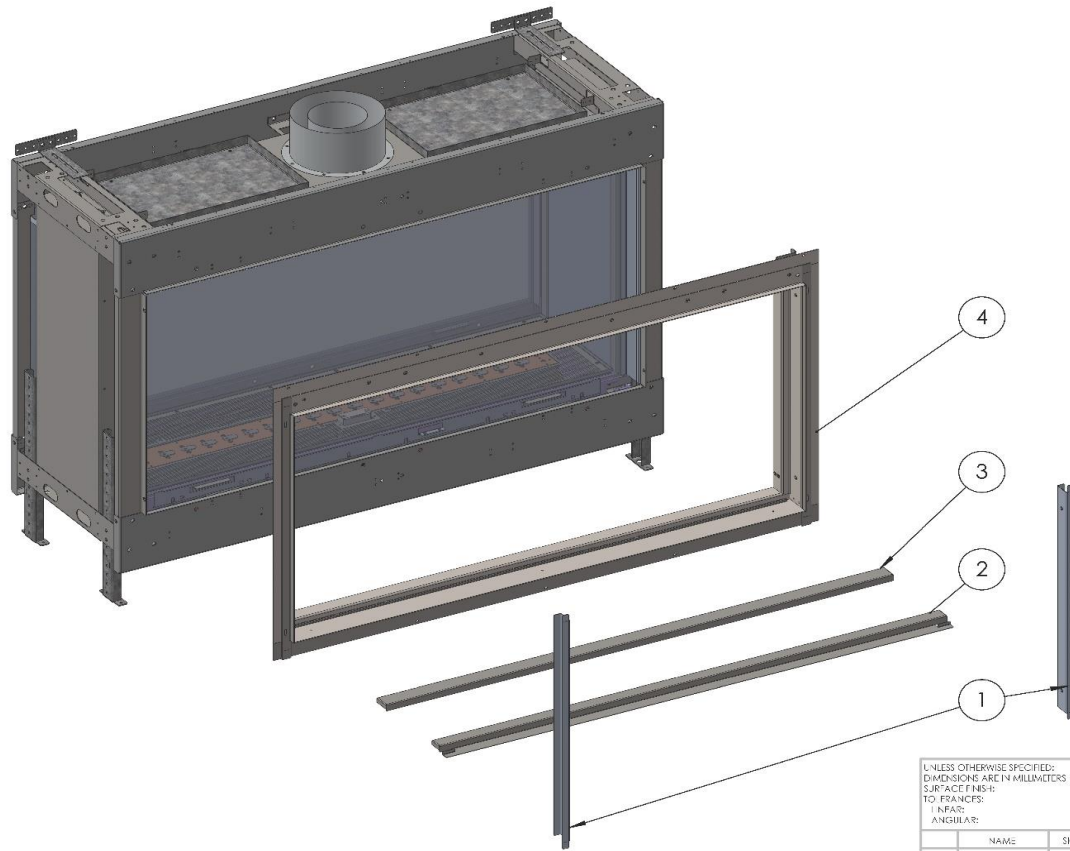


# FLARE FIREPLACES | OUTDOOR KIT PARTS VIEW

ExplView - Common language



UNLESS OTHERWISE SPECIFIED:  
DIMENSIONS ARE IN MILLIMETERS  
SURFACE FINISH  
TO FRANCES:  
FINISH:  
ANGULAR:



DEBURR AND  
BREAK SHARP  
EDGES

DO NOT SCALE DRAWING

REVISION

	NAME	SIGNATURE	DATE		
DRAWN					
CHECK					
APPROV					
DATE					
G.A.					
			MATERIAL:		
			WEIGHT:		
			THICKNESS:		
			SCALE: 1:20		
			SHEET 1 OF 1		

TITLE:	
<b>OUTDOOR KIT</b>	
A3	

FLARE FIREPLACES | OUTDOOR KIT PARTS LIST

ITEM #	PART NUMBER	DESCRIPTION	SKU
1	ODK-VERT-XXX	Outdoor Kit Vertical Frame Rail	ODKVERT-XXX
2	ODK-DG-XXX	Louvered Filler For Double Glass Outdoor Kit	ODKFLDG-XXX
3	ODK-SC-XXX	Filler For Screen Outdoor Kit	ODKFLSC-XXX
4	Outdoor Assembly	Outdoor Kit Frame	ODASS

X REPRESENTS WHERE YOU'LL NEED TO SPECIFY GLASS HEIGHT OR FIREPLACE LENGTH