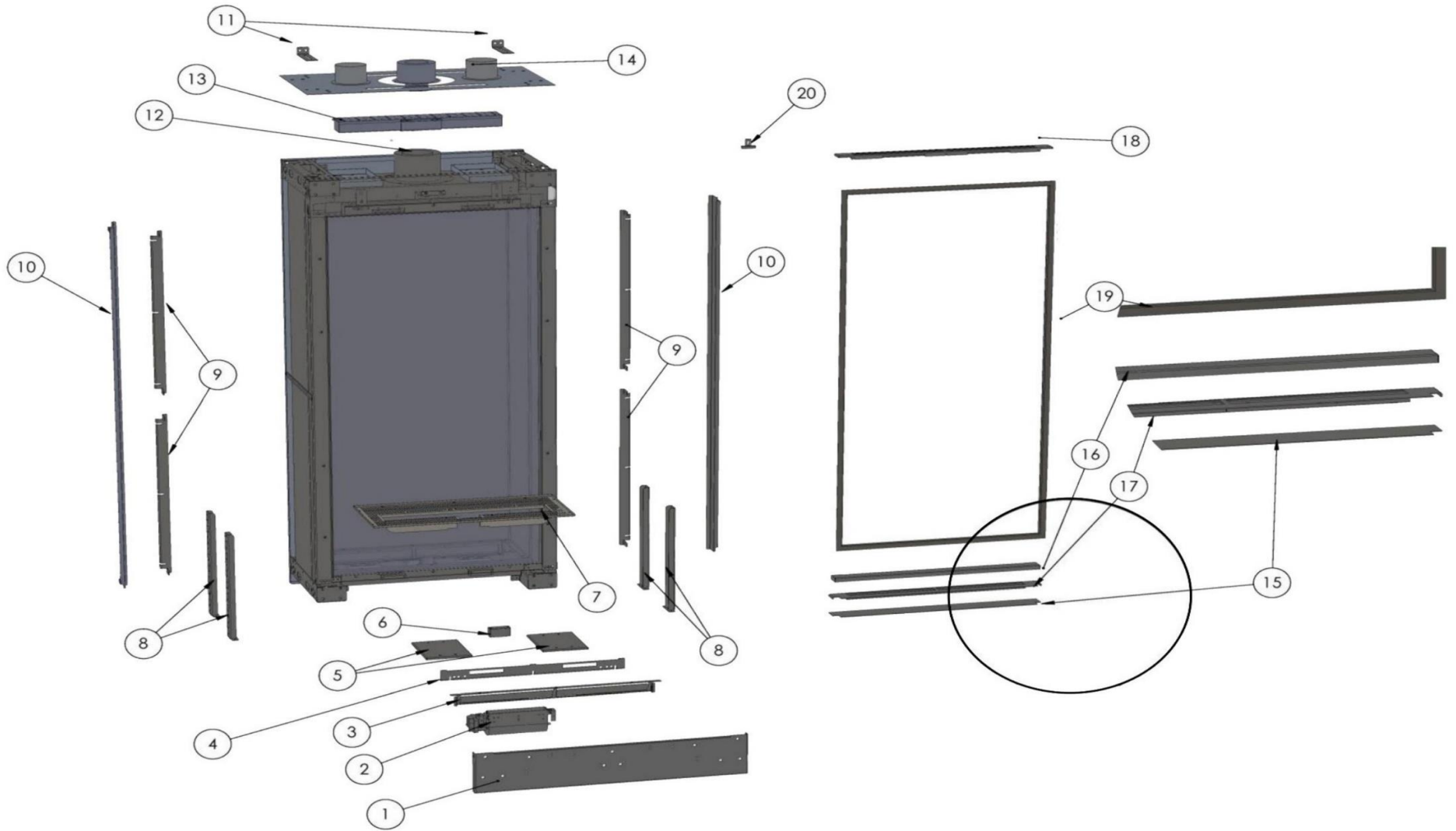


PASSAGE - PARTS LIST



<u>ITEM</u>	<u>PART NUMBER</u>	<u>DESCRIPTION</u>
1	T30"-05-11	Frame for Passage Fireplace
2	8" DG FAN	Double Glass Fan
3	T30"-04-11	LED Holder (With LED)
	T30"-04-11-W	LED Holder (Without LED)
4	RD30"-01-11	Horizontal Rails For Passage Fireplace
5	T30"-07	Pressure Cap - Down
	T30"-08	Pressure Cap - Up/In
	T30"-09	Pressure Cap - Up/Out
6	G-01-14	Low Profile Pilot Cover
7	T30"-06	Burner Tray For Passage
8	T-03	Telescopic Legs For Passage Fireplace
9	G-34EH	Vertical Rail To Secure Inner Ceramic Glass
10	T-16-P	Vertical Filler Used Between Inner Glass And Outer Safety Barrier
11	G-02	Stabilization Brackets
12	5x8 Vent Adapter	Vent Adapter For Passage
	3x5 vent adapter	Vent Adapter For Power Vented Units
13	Burner-30"-Passage	Passage Burner
14	T30"-12-11	Summer Kit Cover - Passage
15	T30"-Filler 73	Screen Replacement Filler (<i>Discontinued</i>)
16	C30"-10-11-S	Horizontal Filler For Screen Fireplaces
17	C30"-10-11	Horizontal Filler For Double Glass Fireplaces
18	C30"-10-11-BK	Filler for Passage With Blower Kit
19	T-30"-Trim-(R/H/EH)	Non-Combustible Frame (<i>Discontinued</i>)
20	G-22	Reflective Back Holder

R/H/EH Represents Fireplace Glass Height - (R-16", H-24", EH-30")