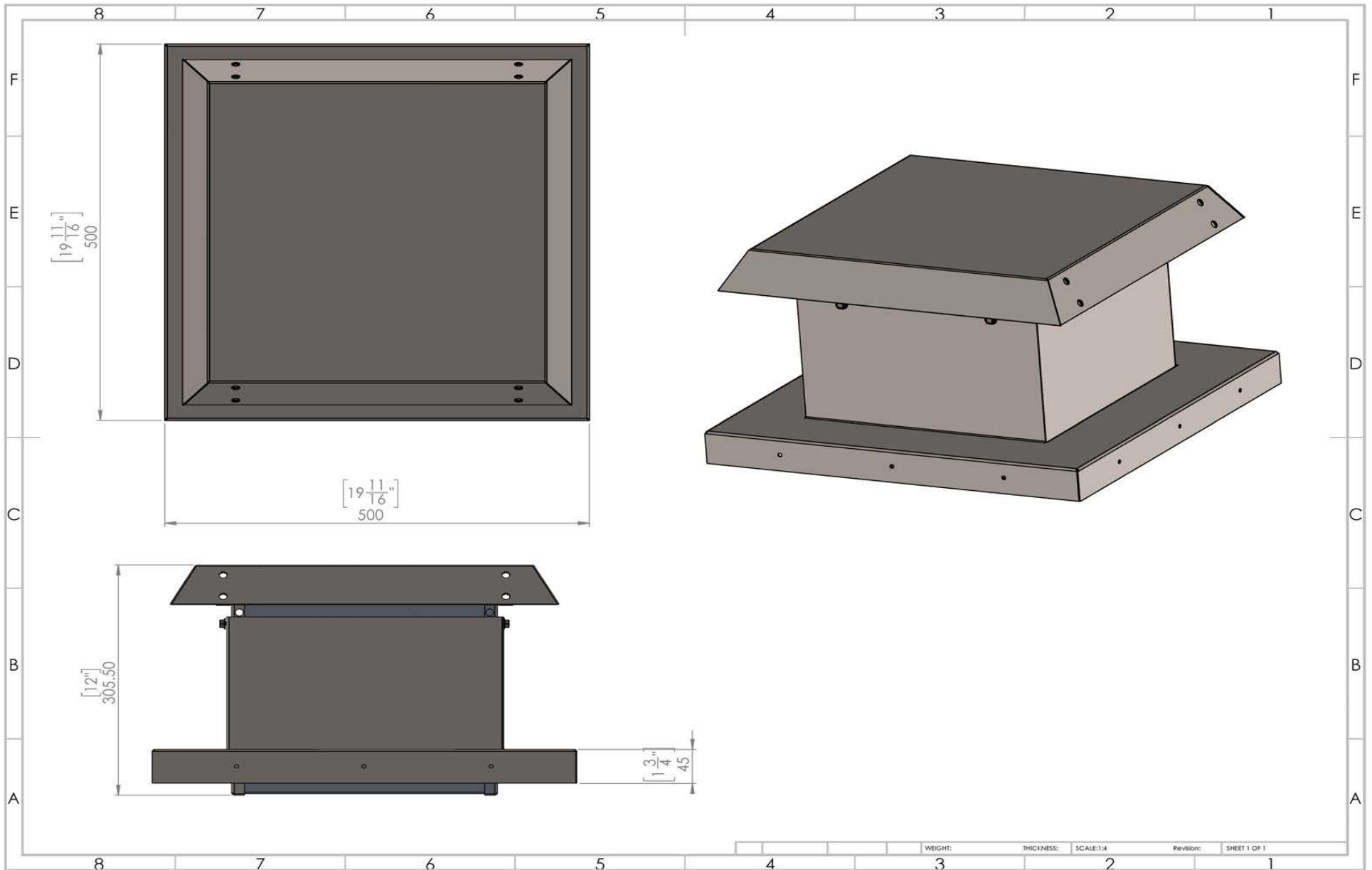
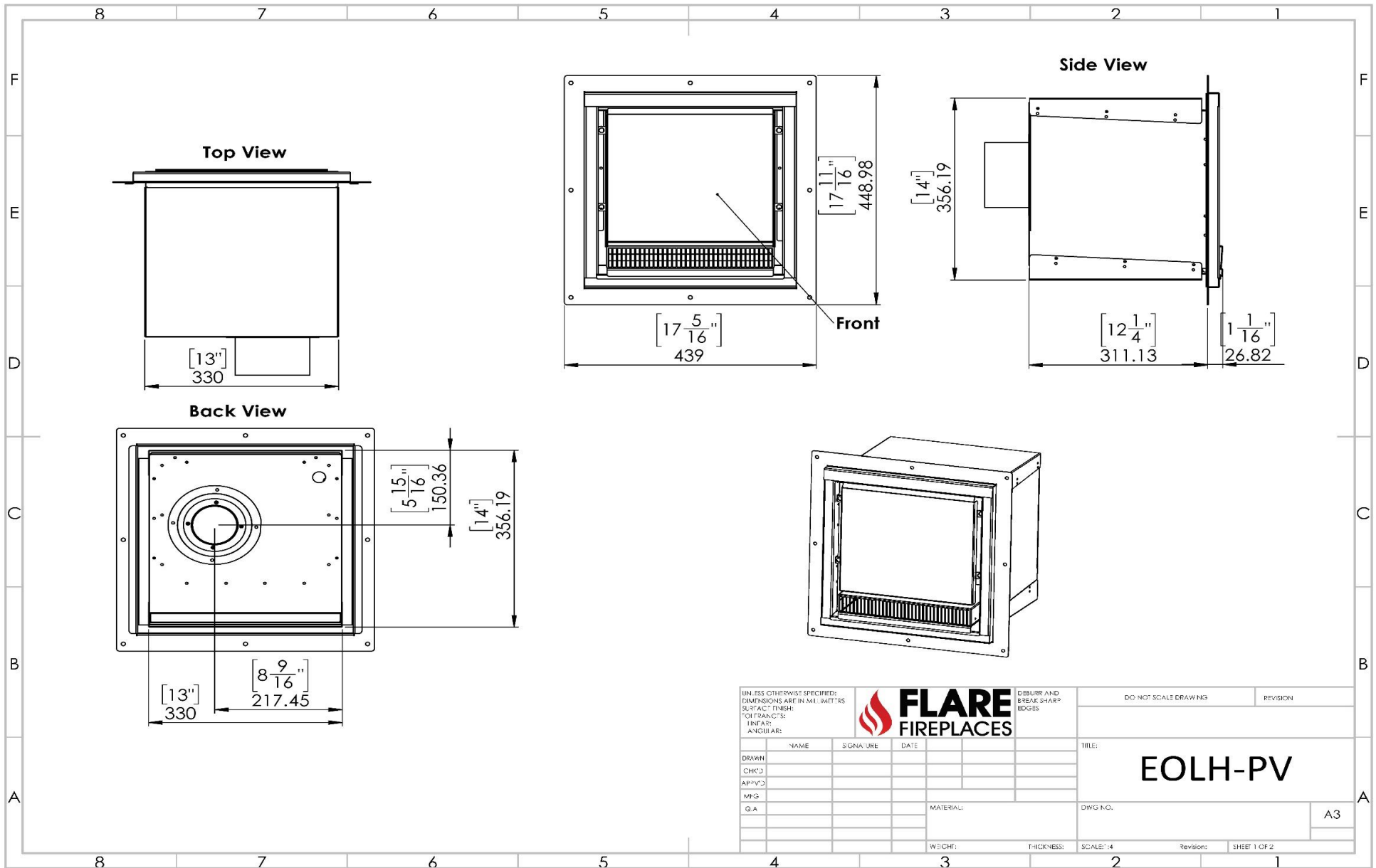


FLARE FIREPLACES | END OF LINE VERTICAL POWER VENT PARTS VIEW



# FLARE FIREPLACES | END OF LINE HORIZONTAL POWER VENT PARTS VIEW



UNLESS OTHERWISE SPECIFIED:  
 DIMENSIONS ARE IN MILLIMETERS  
 SURFACE FINISH:  
 TOLERANCES:  
 FINISH:  
 ANGULAR:

**FLARE FIREPLACES**

DEBURR AND BREAK SHARP EDGES

DO NOT SCALE DRAWING

REVISION

TITLE: **EOLH-PV**

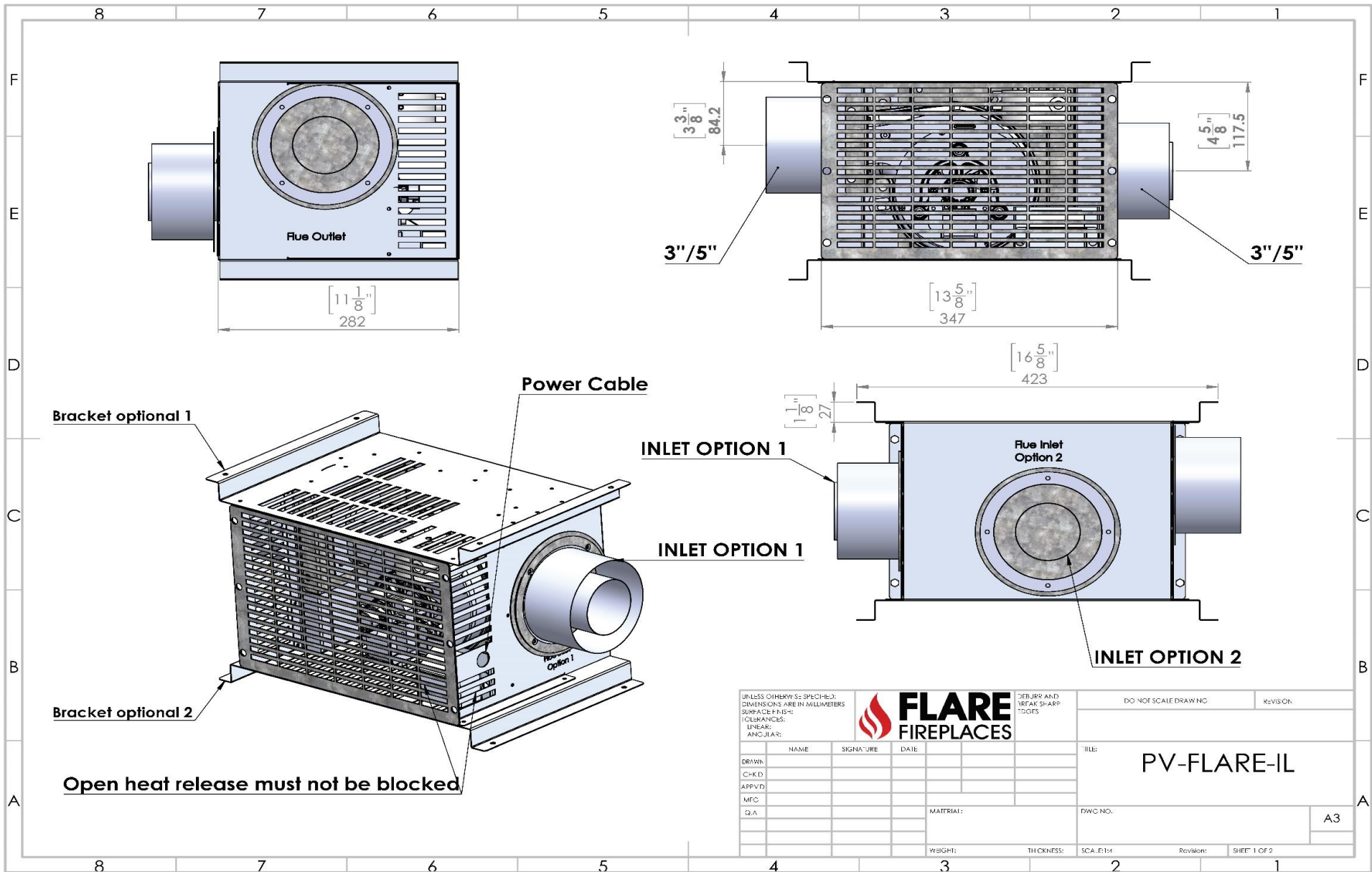
DWG. NO. \_\_\_\_\_

A3

W:CHT: \_\_\_\_\_ T:ICKNESS: \_\_\_\_\_ SCALE: 1:4 Revision: \_\_\_\_\_ SHEET 1 OF 2

	NAME	SIGNATURE	DATE
DRAWN			
CHECKED			
APPROVED			
MFG			
Q.A.			

# FLARE FIREPLACES | INLINE POWER VENT PARTS VIEW



UNLESS OTHERWISE SPECIFIED: DIMENSIONS ARE IN MILLIMETERS					DEFURR AND BERK SHARP TOOLS	
SURFACE FINISH: CLEARANCES: LINEAR: ANGULAR:					DO NOT SCALE DRAWING	
DRAWN:			NAME		SIGNATURE	
CHECKED:			NAME		SIGNATURE	
APPROVED:			NAME		SIGNATURE	
MFC:			NAME		SIGNATURE	
Q.A.:			NAME		SIGNATURE	
			MATERIAL:		TITLE: PV-FLARE-IL	
			WEIGHT:		DWG NO.:	
			THICKNESS:		SCALE: 1:1	
					Revision: SHEET 1 OF 2	

FLARE FIREPLACES | GENERAL PARTS - POWER VENT

PART	DESCRIPTION	SKU
PV-FLARE-IL	Inline power vent	100IPV
PV-VT-EOL	End of line, vertical termination	100VPV
PV-HT-EOL	End of line, flush-mounted horizontal termination	100HPV
PV-HV-CABLE	Price Per Foot - Metal Wrapped High Voltage 14   4 Power Vent Cable	PVHVCBL
PV-FAN	Replacement Power Vent Fan	PVFAN
PV-CABLE	Power Vent Board Cable V5 (Pigtail for Flare Board)	PVCBL