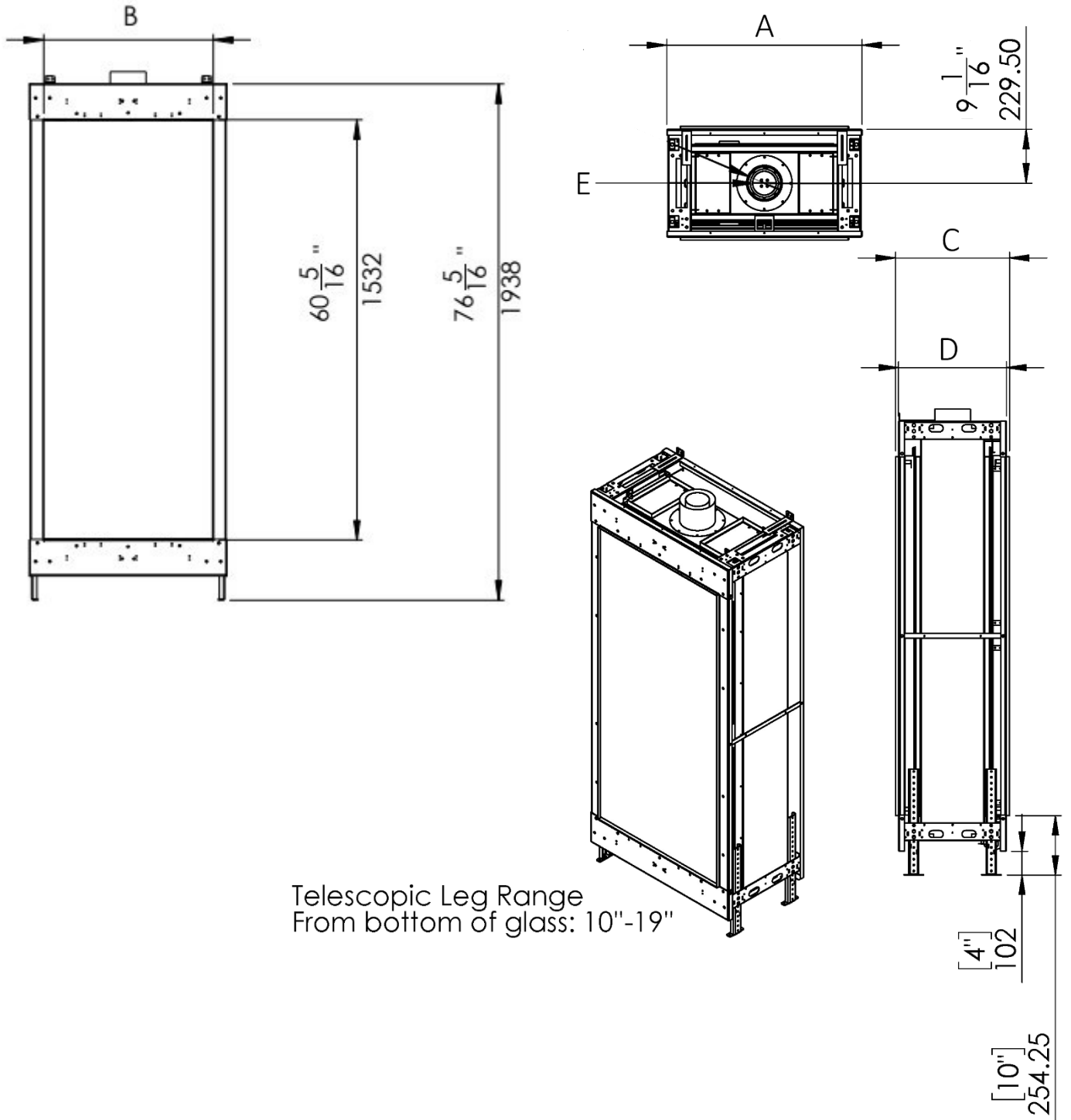
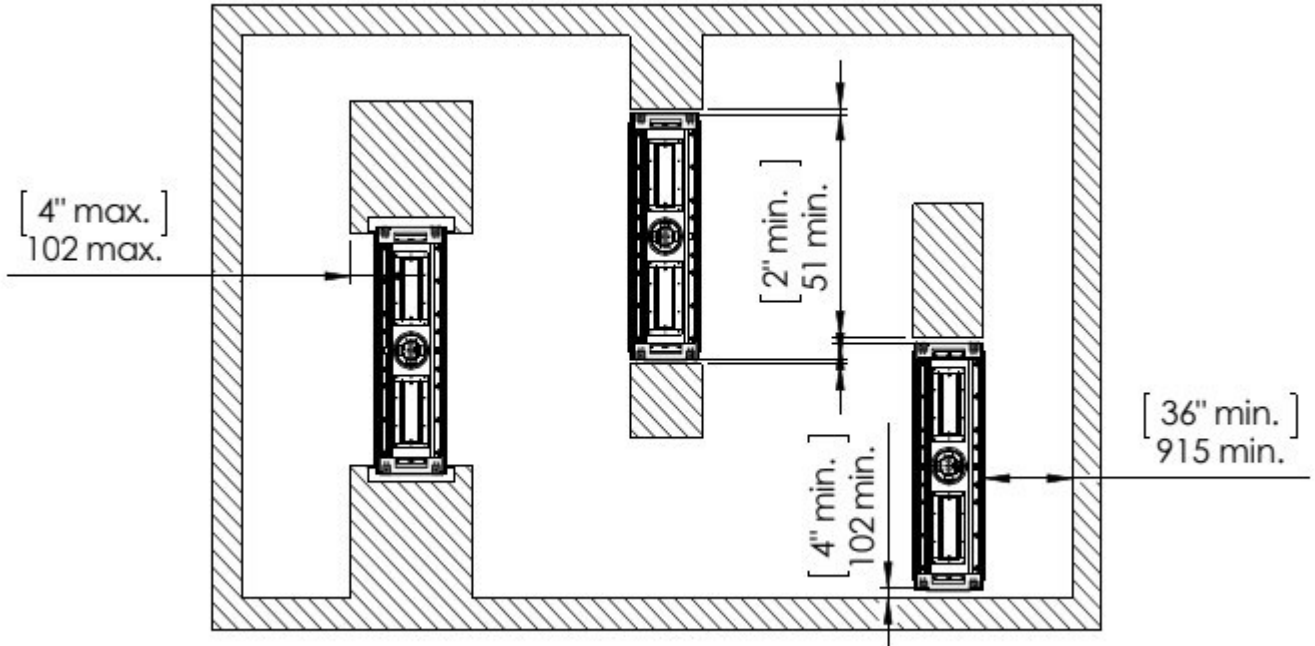


Fireplace Dimensions



Model		A	B	C	D	E
ST-PASS	IN	32 10/16	28 5/16	19 2/16	18 1/16	5x8
	MM	828	719	485	458	127X203

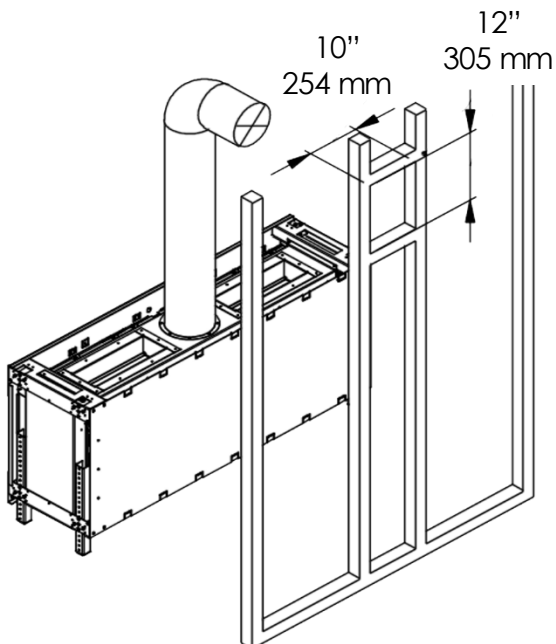
Clearances below are to non-combustible materials.



Chimney Installation

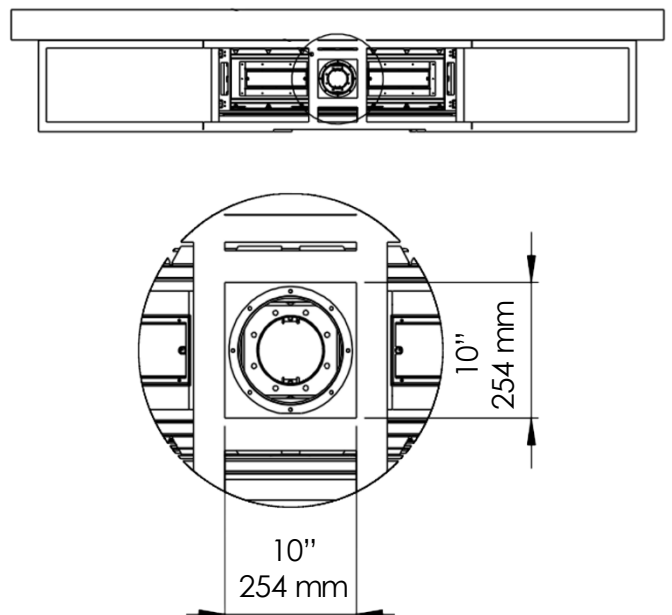
Horizontal Termination

For 5x8 vent pipe termination create a 10"x12" opening

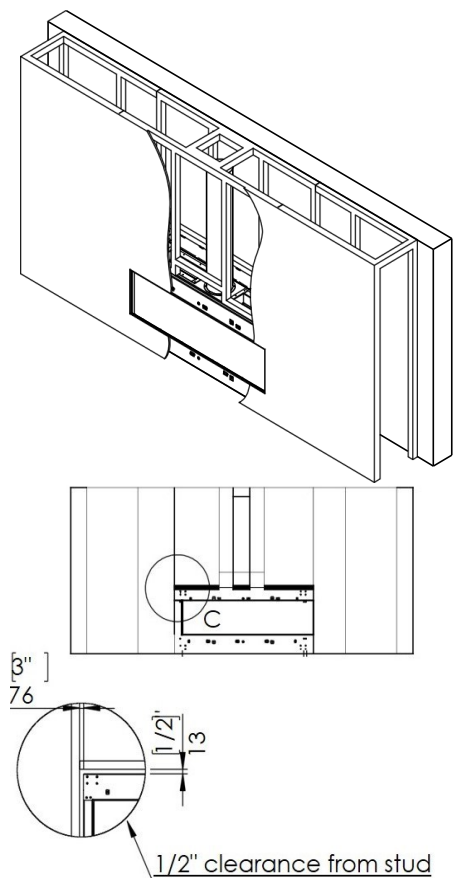


Vertical Termination

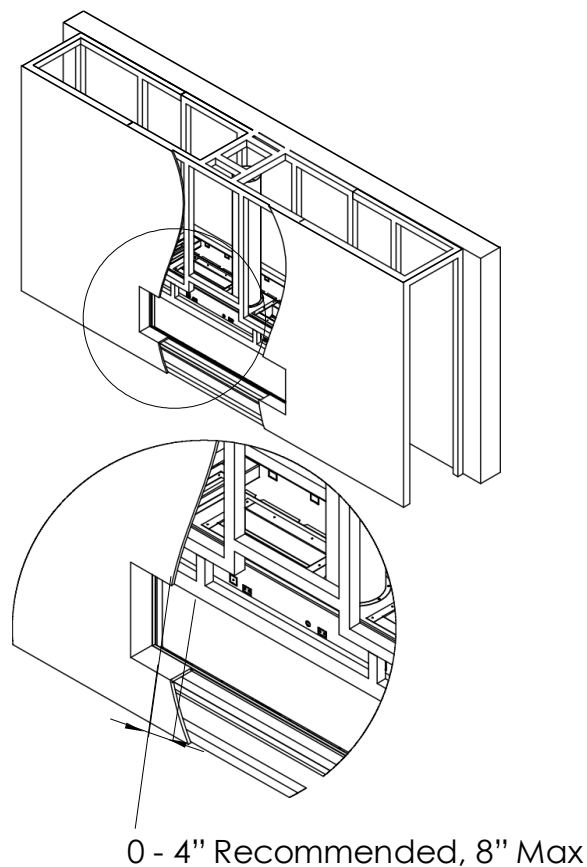
For 5x8 vent pipe termination create a 10"x10" opening



Flat Installation



Recessed Installation



Heat Release and Air Intake

Required Heat Release Open Air-Flow Minimum

Passage Fireplaces - 140 square inches minimum.

Required Air Intake Open Air-Flow Minimum

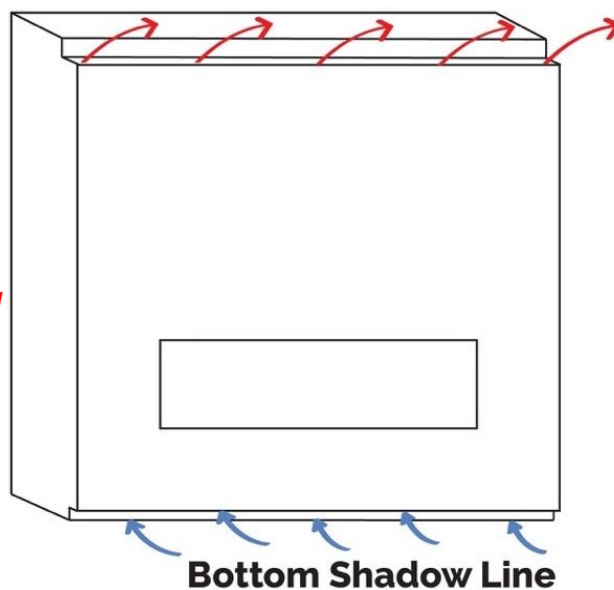
Passage Fireplaces - 70 square inches minimum.

*(*Blower Kit and Cool Glass)*

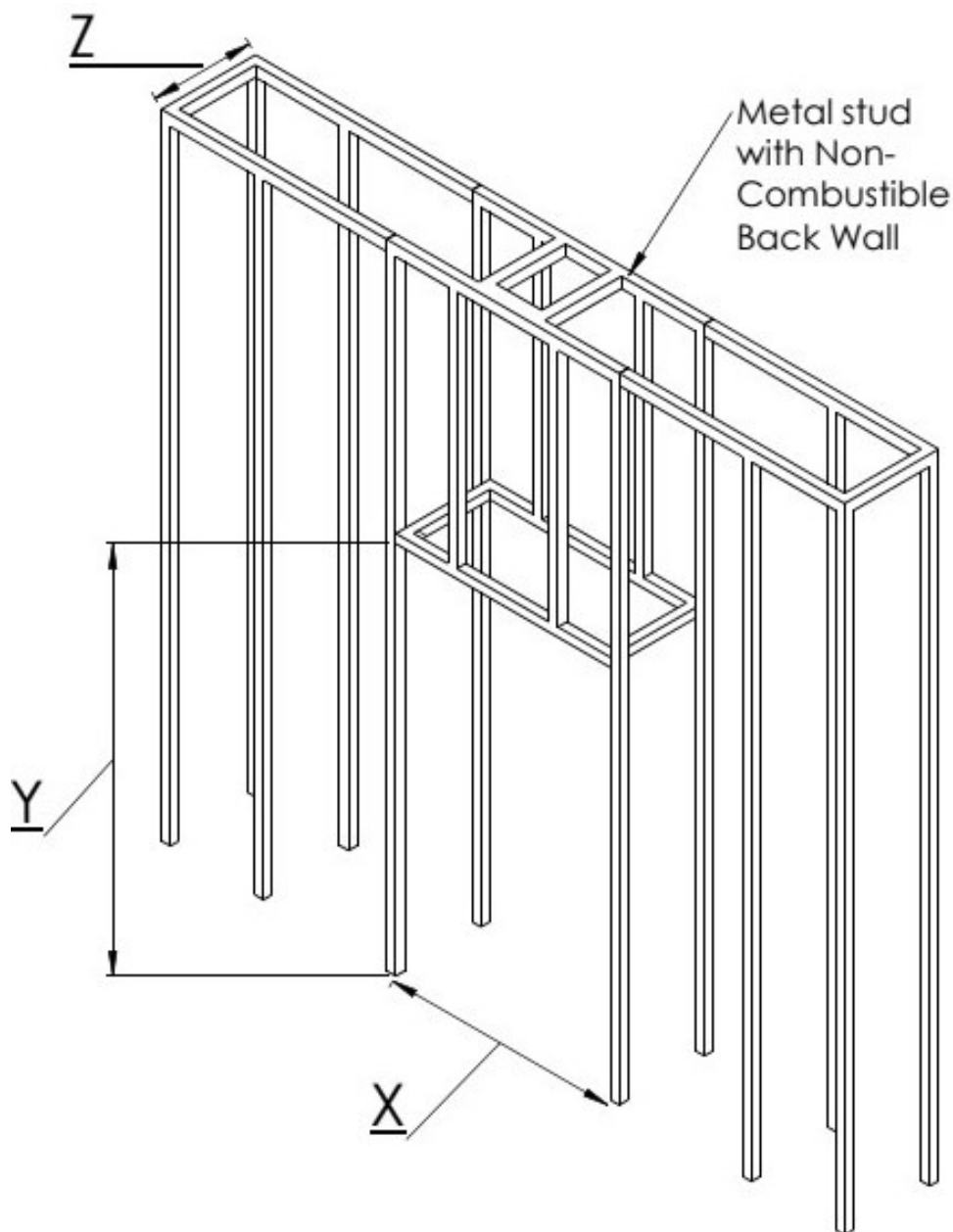
*(**See Through and Room Definers Require the Intake to be Doubled and Balanced in Size and Positioning on Both Long Sides.)*

*(***Openings are measured for open air-flow)*

Top Shadow Line



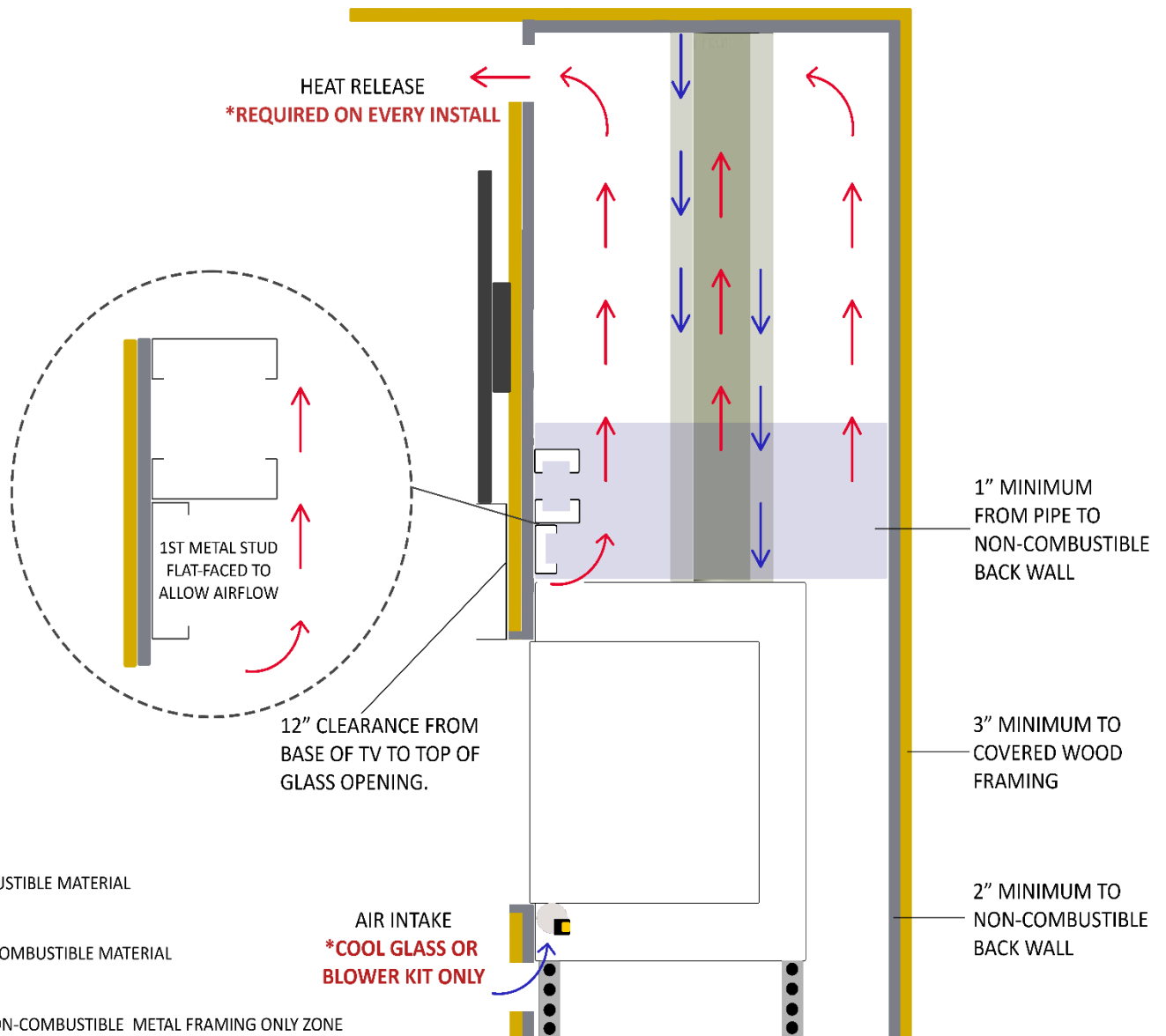
Bottom Shadow Line



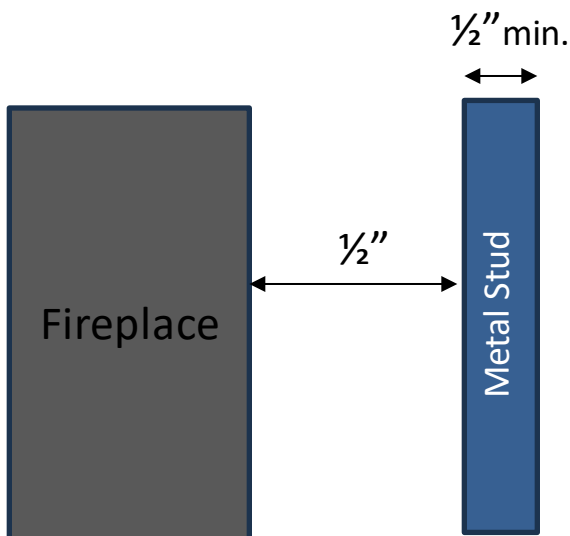
NOTE: Dimension “Y” assumes the fireplace legs are set to the default height of 4”, placing the glass opening at 10” above the floor. This “Y” dimension can change based on where your client wants their viewing window.

*All framing and finishing must be secured to your projects back wall, ceiling or floor and must never bear weight on the fireplace in any circumstance. For more information reference the [Installation Manual](#).

Model		X	Y	Z	
				Flat Installation	Recess Installation (4")
ST-PASS	IN	33 10/16	76 13/16	18 1/16	26 1/16
	MM	854	1951	458	661



Metal Framing Clearances and Materials Example



*Any combustible material found within the fireplace cavity must be covered with a minimum $\frac{1}{2}$ " thick non-combustible board and maintain a 3" clearance to the sides and back of the fireplace.