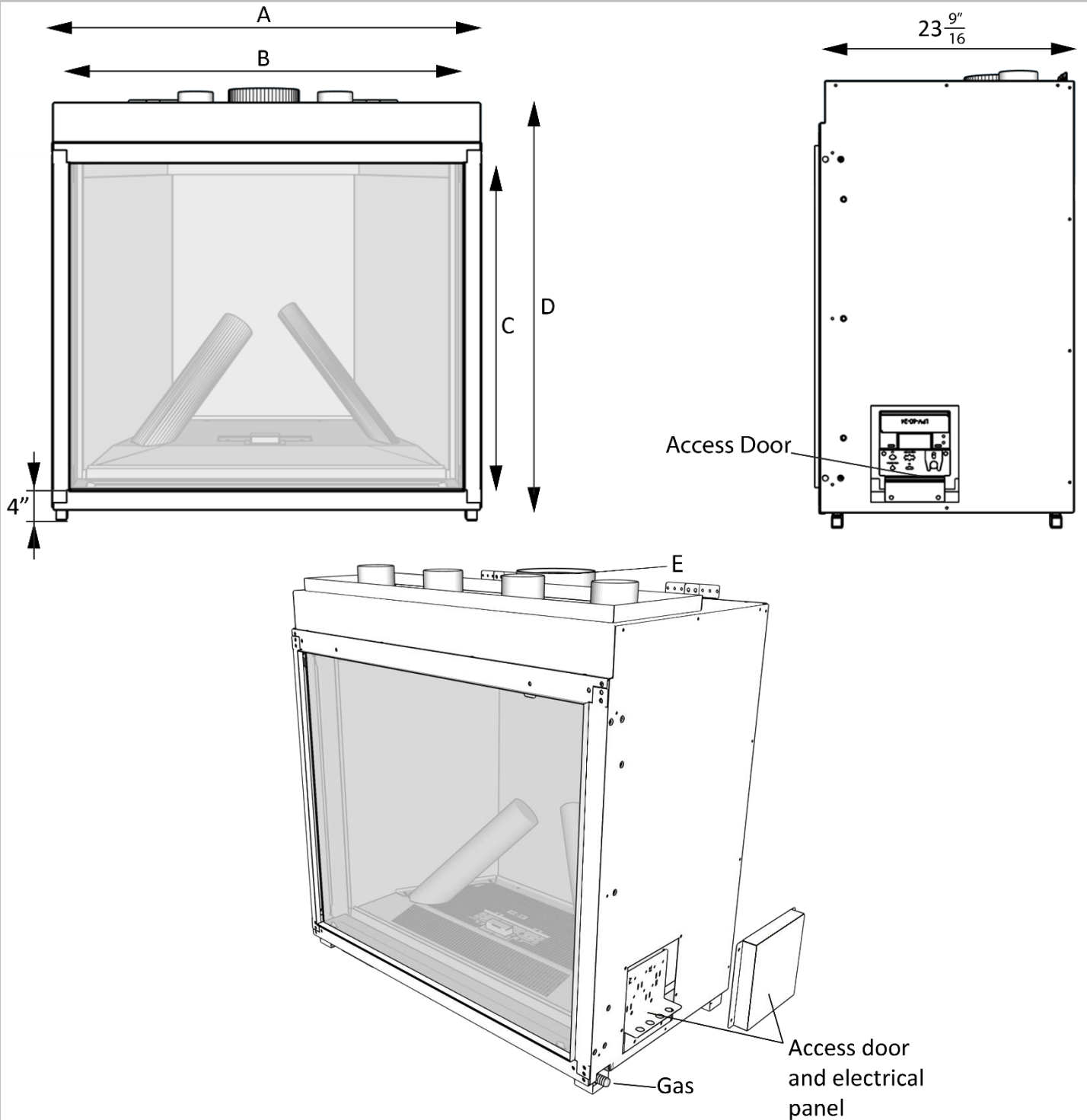
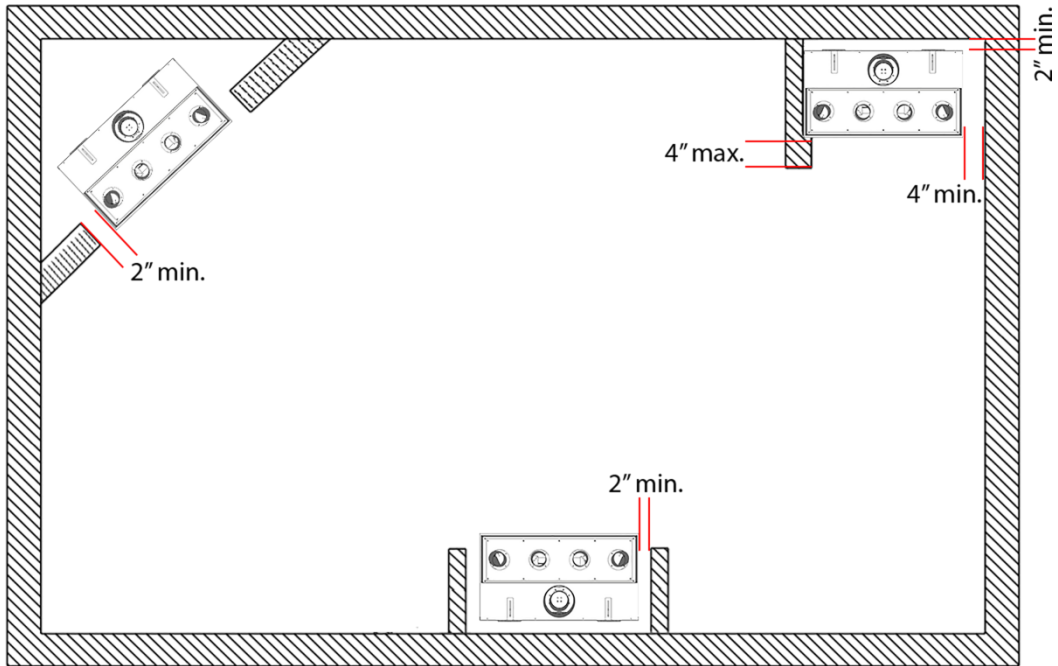


### Fireplace Dimensions



Model		A	B	C	D	E
TR-42	IN	42 1/4	38 11/16	32	40 1/16	5x8
	MM	1073	982	812	1017	127x203
TR-46	IN	46	42 7/16	36	44	5x8
	MM	1168	1078	914	1117	127x203

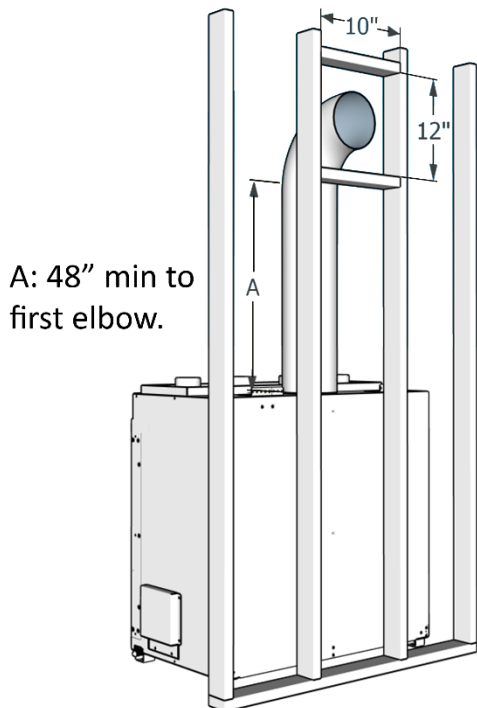
Clearances below are to non-combustible materials.



## Chimney Installation

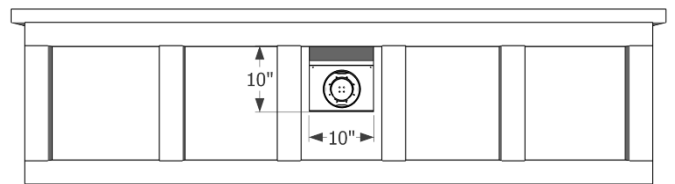
### Horizontal Termination

For 5x8 vent pipe termination create a 10"x12" opening

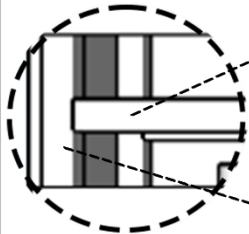
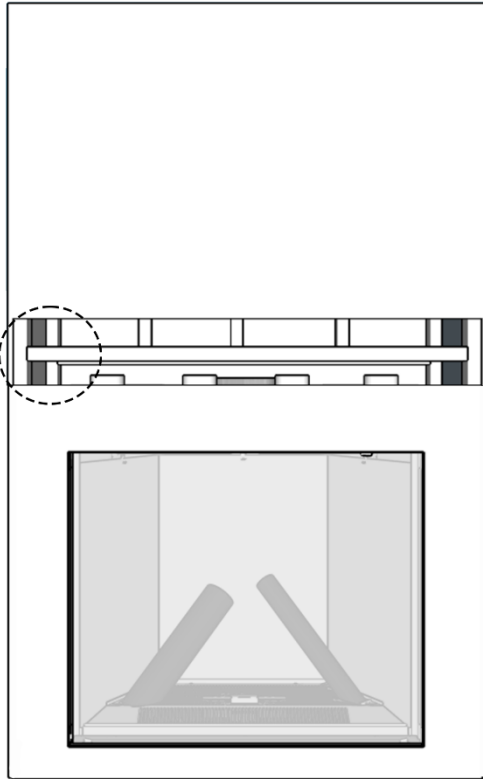


### Vertical Termination

For 5x8 vent pipe termination create a 10"x10" opening



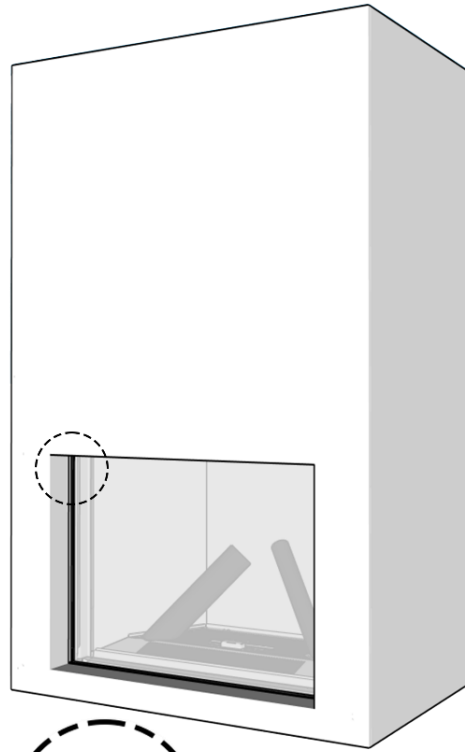
### Flat Installation



4" clearance to uncovered wood framing above the fireplace.

3" clearance to uncovered wood framing on sides of the fireplace.

### Recessed Installation



0 - 4" recommended overhang  
8" max. May be combustible material.

### Heat Release and Air Intake

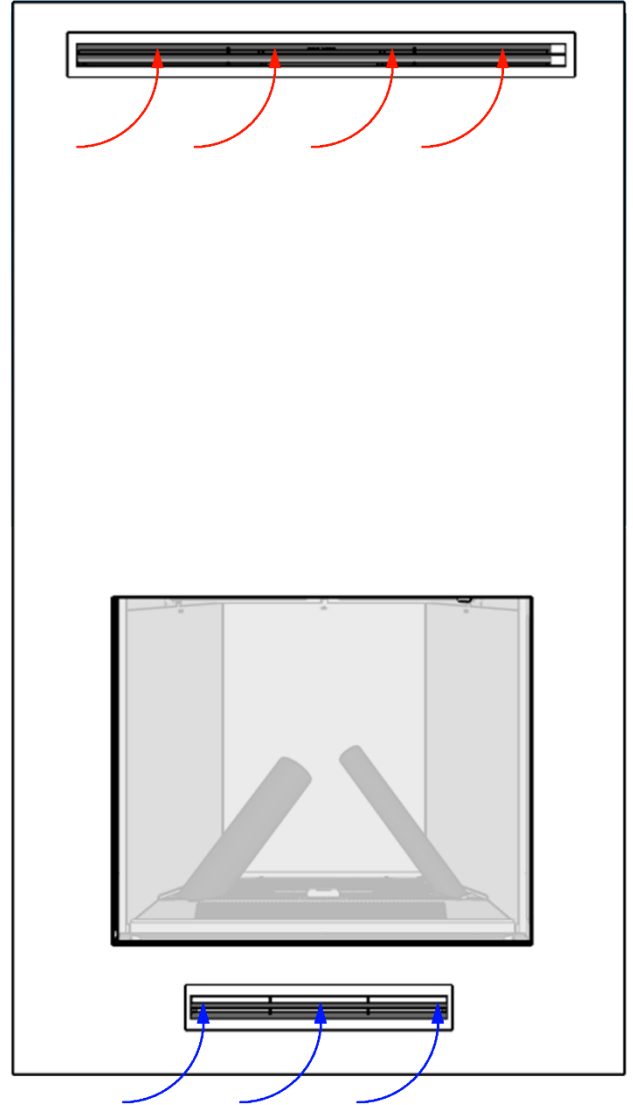
Heat Release Louvers			
Flare Model	Part Name	Description	SKU
TRA-42	LUV-100	100 SQ" Louver	<a href="#">LUV100</a>
TRA-46			

*\*Standardized heat release louver is included with passive heat kit.*

Air Intake Louvers			
Flare Model	Part Name	Description	SKU
TRA-42	LUV-70	70 SQ" Louver	<a href="#">LUV70</a>
TRA-46			

*\*Air intakes are required on Blower Kit and Double Glass equipped fireplaces only.*

*\*\*Standardized air intake louvers are available, but designing a unique intake is acceptable.*

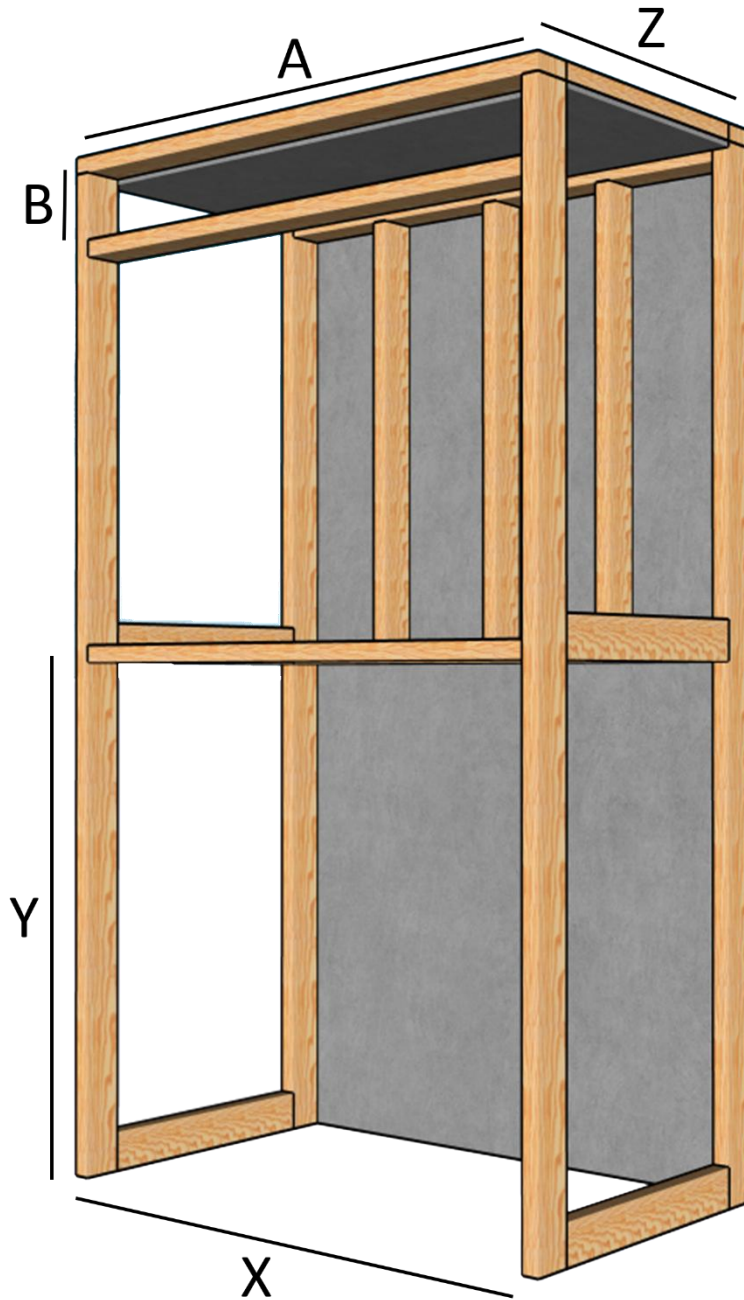


### Passive Heat Flex Kit

The Passive Heat Flex System Includes:

- Heat Flex Box
- Heat Release Louver and In-Wall Mount
- Flex Pipe Adapters

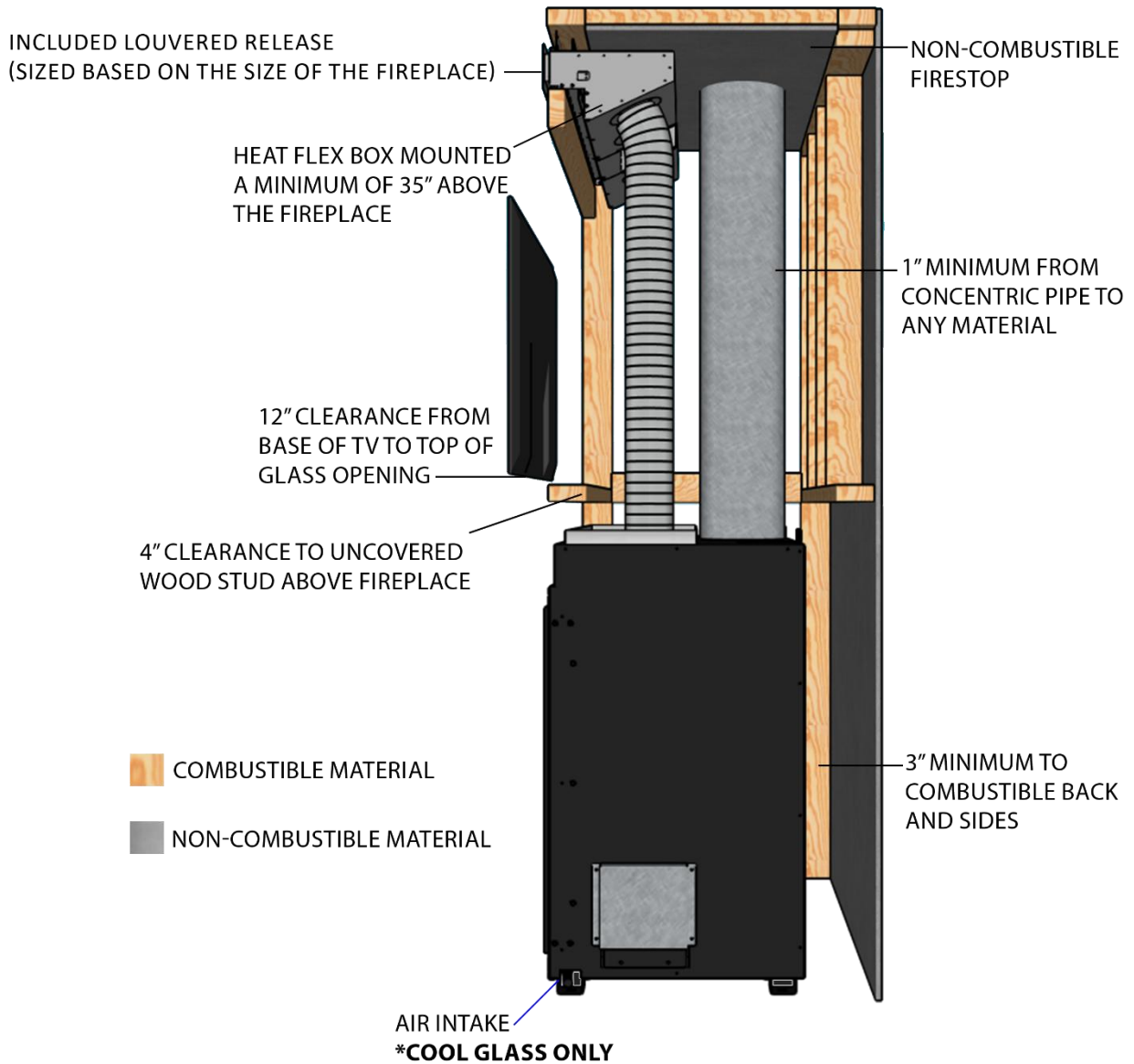
Model Size	Part Name	Description	Flex Quantity/Size	SKU
TRA-42	HFPK-100	Passive Heat Flex Kit for Traditional 42" Fireplace	4 / 4"	HFPK100
TRA-46	HFPK-100	Passive Heat Flex Kit for Traditional 46" Fireplace	4 / 4"	HFPK100



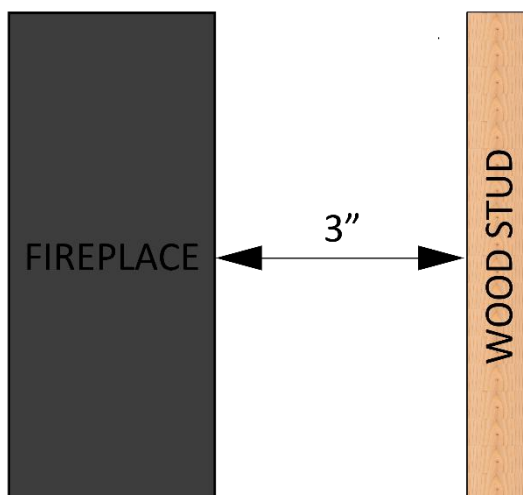
**NOTE:** Dimension “Y” assumes the fireplace legs are set to the default height of 2”, placing the glass opening at 4” above the floor. This “Y” dimension can change based on where your client wants their viewing window.

\*All framing and finishing must be secured to your projects back wall, ceiling or floor and must never bear weight on the fireplace in any circumstance. For more information reference the [Installation Manual](#).

Stud to Stud Framing Around The Fireplace						Heat Flex Box Framing	
Model		X	Y	Z		A	B
				FLAT	4" RECESS		
TR-42	IN	48 1/4	45 3/8	26 9/16	30 9/16	47	5 1/4
	MM	1225	1152.5	674	776	1194	133
TR-46	IN	52	45 3/8	26 9/16	30 9/16	47	5 1/4
	MM	1320	1152.5	674	776	1194	133



### Wood Framing Clearances and Materials Example



\*Any combustible material found within the fireplace cavity must maintain a 3" clearance to the sides and back, and a 4" clearance to the top of the fireplace.