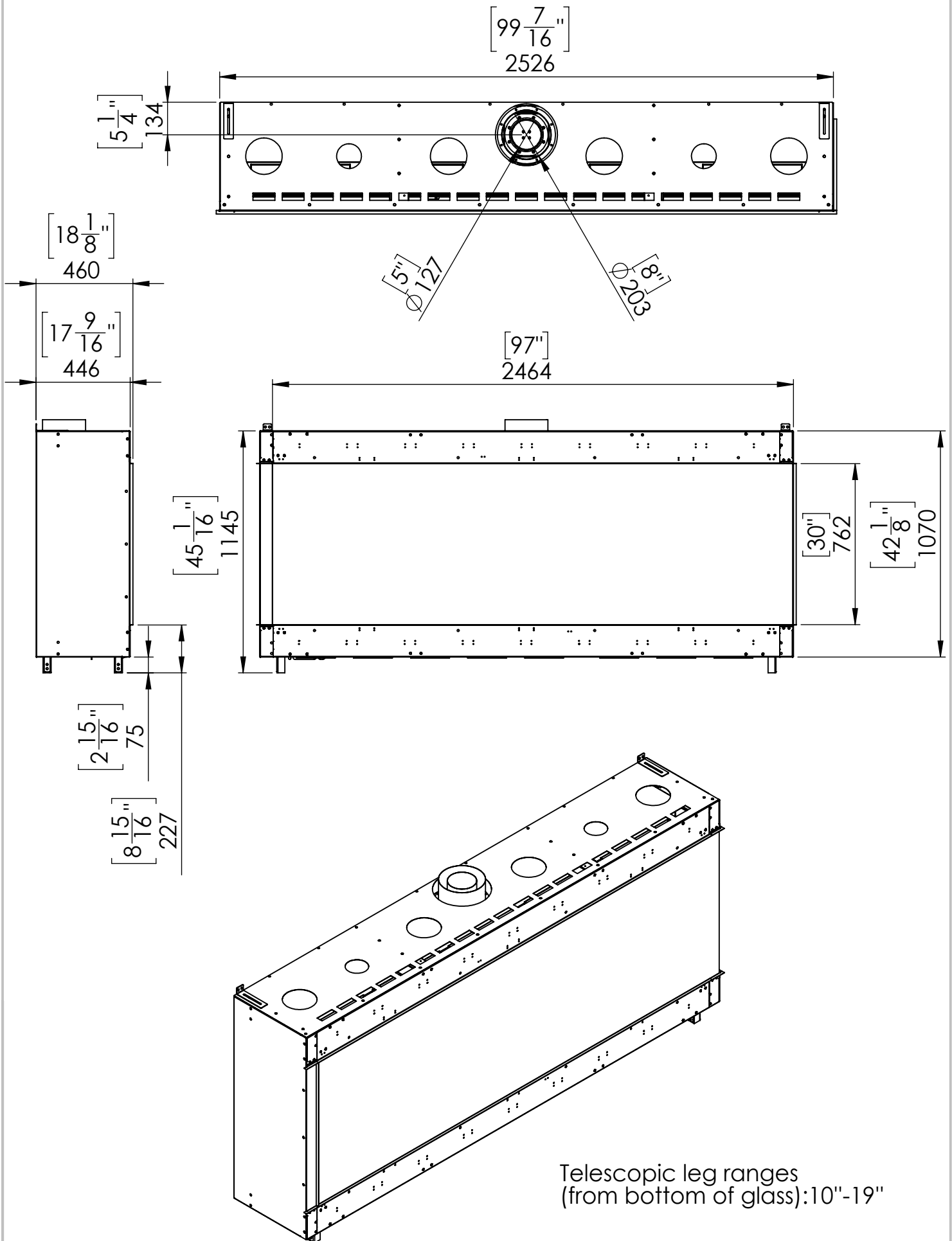




# FLARE Right Corner 100EH



Telescopic leg ranges (from bottom of glass): 10"-19"