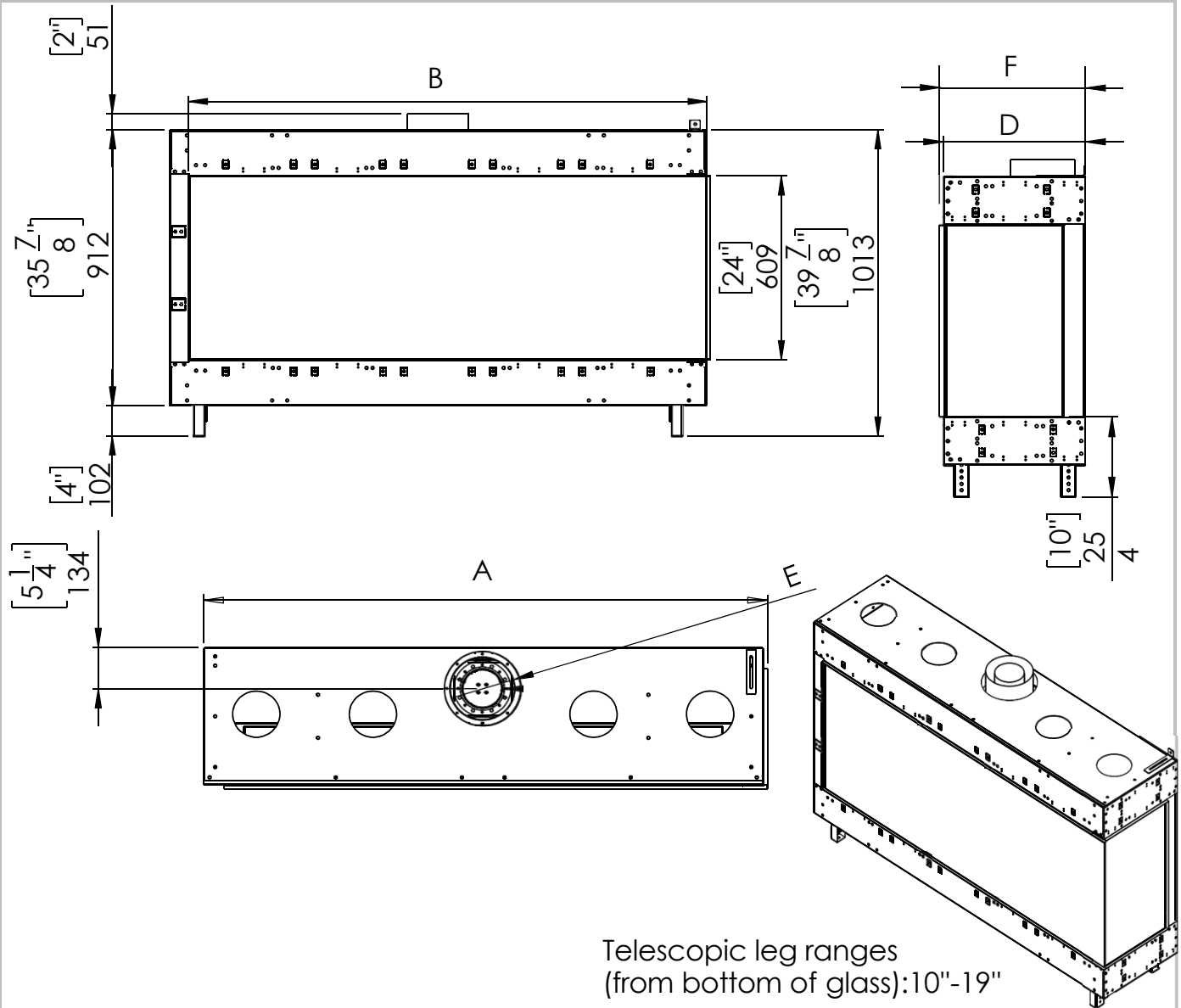
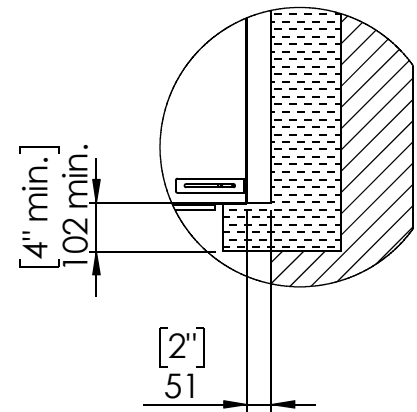
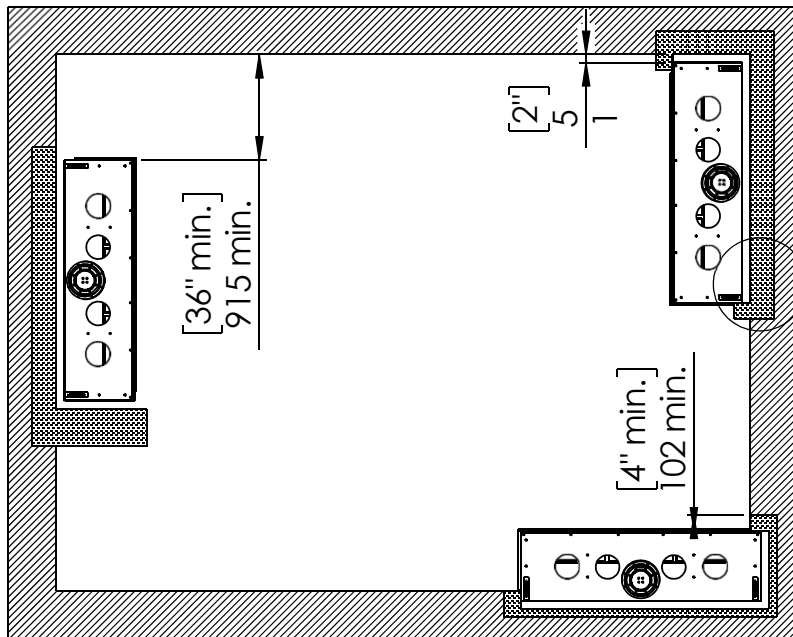


## Fireplace Dimensions



Model	30	45	50	60	70	80	100
A- Inch	30 $\frac{9}{16}$	43 $\frac{9}{16}$	50 $\frac{4}{16}$	60 $\frac{1}{16}$	69 $\frac{15}{16}$	82 $\frac{8}{16}$	99 $\frac{7}{16}$
B- Inch	28 $\frac{2}{16}$	41 $\frac{1}{16}$	47 $\frac{13}{16}$	57 $\frac{10}{16}$	67 $\frac{8}{16}$	82 $\frac{1}{16}$	97
F- Inch	18 $\frac{1}{16}$	18 $\frac{1}{16}$	18 $\frac{1}{16}$	18 $\frac{1}{16}$	18 $\frac{1}{16}$	18 $\frac{1}{16}$	18 $\frac{1}{16}$
D- Inch	17 $\frac{9}{16}$	17 $\frac{9}{16}$	17 $\frac{9}{16}$	17 $\frac{9}{16}$	17 $\frac{9}{16}$	17 $\frac{9}{16}$	17 $\frac{9}{16}$
E- Inch	4x6	4x6	5x8	5x8	5x8	5x8	5x8

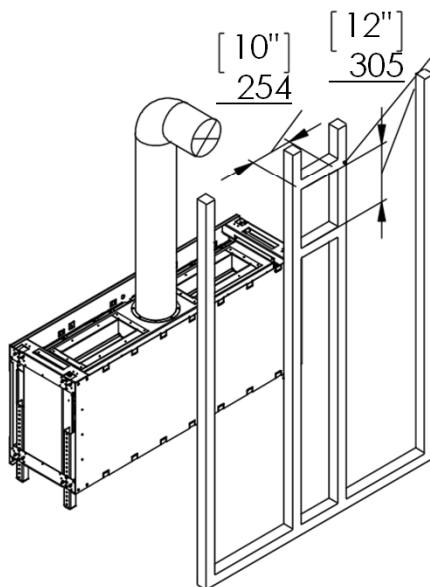


Combustible Materials  
 Non Combustible Materials

## Chimney Installation

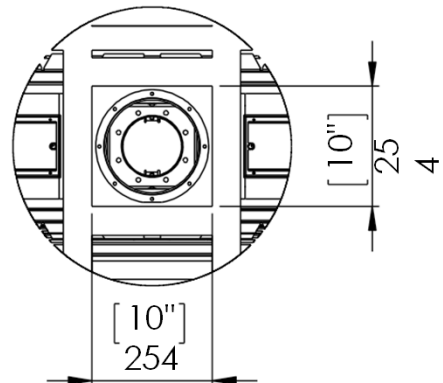
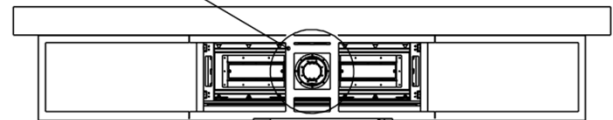
### Horizontal Termination

For 5 x 8 vent size create 10" x 12" vent termination opening

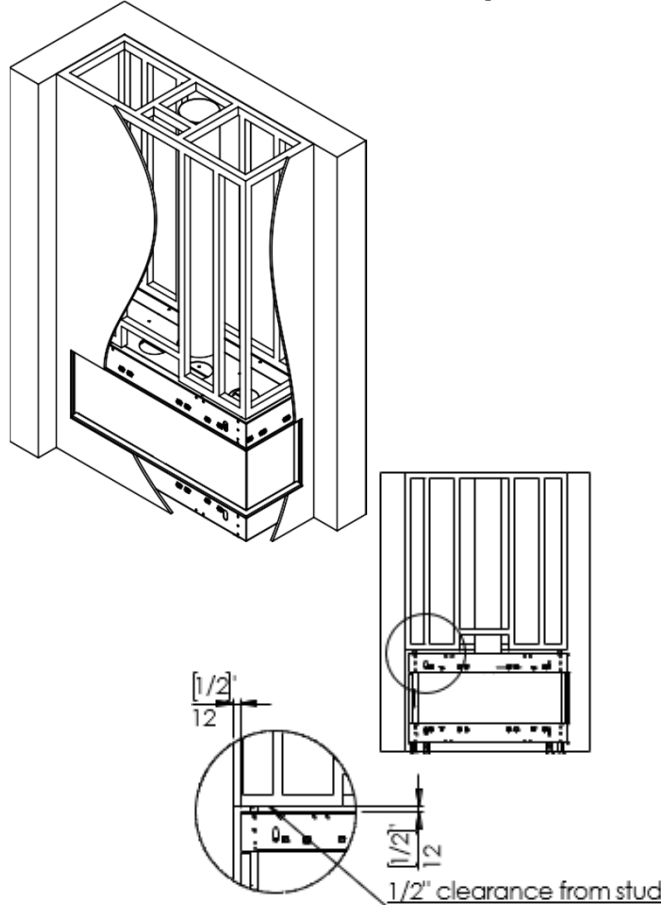


### Vertical Termination

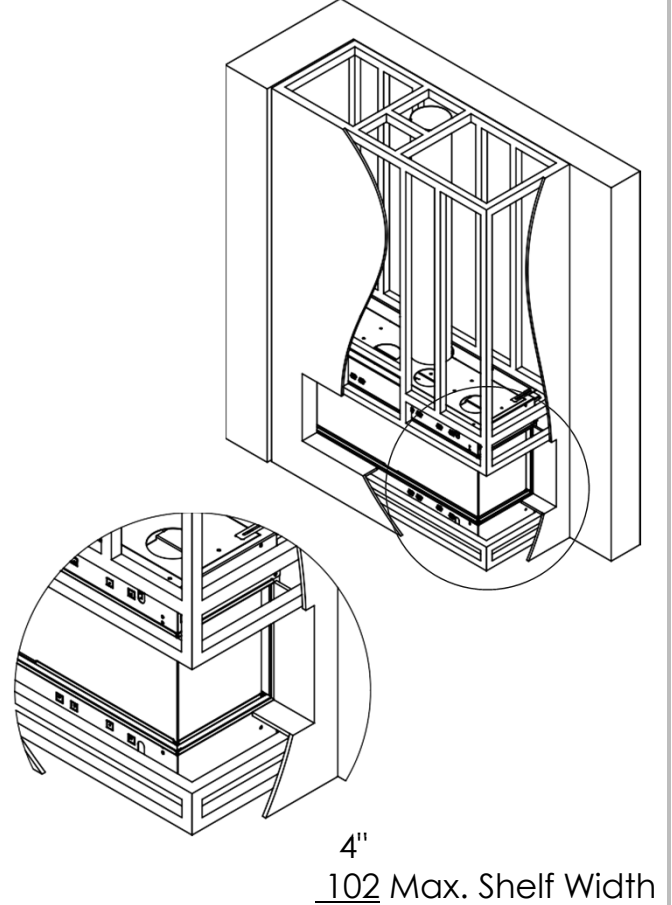
For 5 x 8 vent size create 10" x 10" vent termination opening



## Flat Installation Example



## L Shape Installation Example



## Heat Release and Air Intakes

### The following sizes MUST be maintained for the upper heat release:

For fireplaces sized **80" & 100"** – open vent area must be at least **200 square inches**.

For fireplaces sized **60" & 70"** – open vent area must be at least **140 square inches**.

For fireplace sized **50"** and below – open vent area must be at least **100 square inches**.

### The following sizes MUST be maintained for the lower air intake:

For fireplaces sized **80" & 100"** – open vent area must be at least **100 square inches**.

For fireplaces sized **60" & 70"** - open vent area must be at least **70 square inches**.

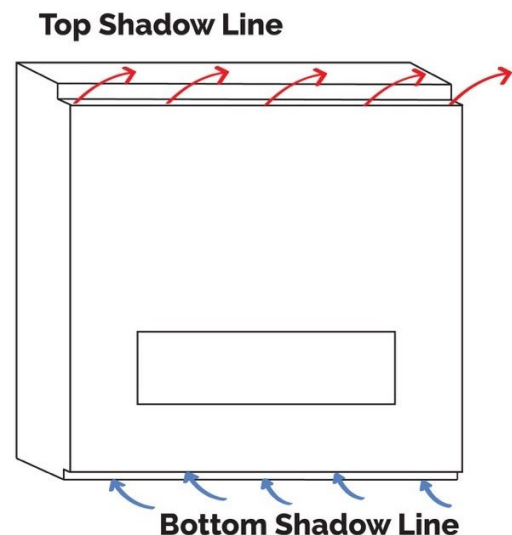
For fireplaces sized **50"** and below - open vent area must be at least **50 square inches**.

For See Through and Room Definer fireplaces, the air intake requirements are **double**.

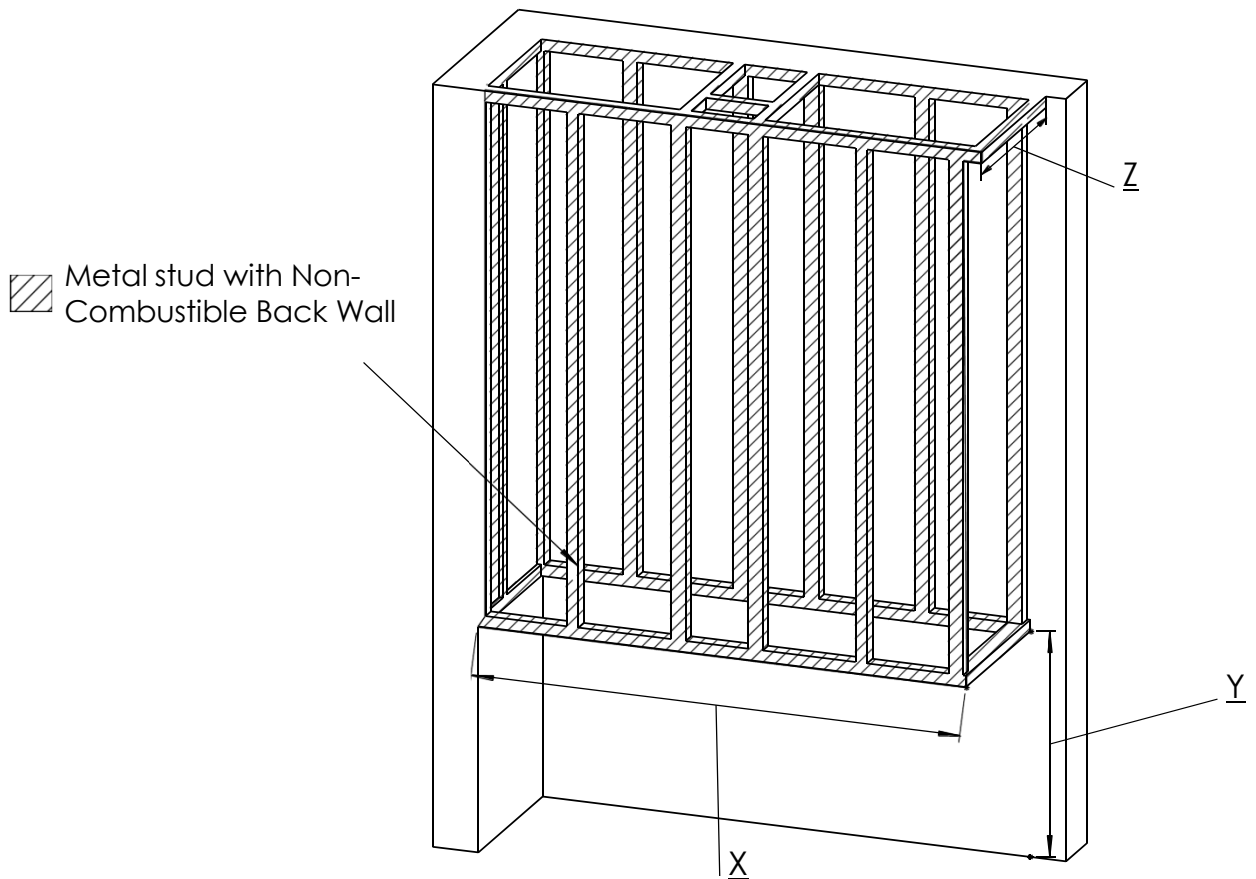
**NOTE: Openings above for Heat Release and Air Intake are measured for open air space. BE SURE TO CALCULATE FOR RESTRICTIONS IN GRATING.**

**NOTE: On all See Through and Room Definer units the air intake must be doubled**

Air Intakes required for Double Glass or Optional Blower kits ONLY.



# Metal Framing Dimensions



**NOTE: Dimension 'Y' uses legs at default lowest height 4" below the unit with glass beginning 10" above the floor. Increase leg height and Y dimension for higher viewing window.**

		X	Y	Z	
				Flat Installation	Recess Installation ( 4" Max)
30	Inch	32 <sup>9</sup> / <sub>16</sub>	40 <sup>6</sup> / <sub>16</sub>	19 <sup>9</sup> / <sub>16</sub>	23 <sup>9</sup> / <sub>16</sub>
	mm	827	1026	497	598
45	Inch	45 <sup>9</sup> / <sub>16</sub>	40 <sup>6</sup> / <sub>16</sub>	19 <sup>9</sup> / <sub>16</sub>	23 <sup>9</sup> / <sub>16</sub>
	mm	1144	1026	497	598
50	Inch	52 <sup>4</sup> / <sub>16</sub>	40 <sup>6</sup> / <sub>16</sub>	19 <sup>9</sup> / <sub>16</sub>	23 <sup>9</sup> / <sub>16</sub>
	mm	1327	1026	497	598
60	Inch	62 <sup>1</sup> / <sub>16</sub>	40 <sup>6</sup> / <sub>16</sub>	19 <sup>9</sup> / <sub>16</sub>	23 <sup>9</sup> / <sub>16</sub>
	mm	1576	1026	497	598
70	Inch	71 <sup>15</sup> / <sub>16</sub>	40 <sup>6</sup> / <sub>16</sub>	19 <sup>9</sup> / <sub>16</sub>	23 <sup>9</sup> / <sub>16</sub>
	mm	1827	1026	497	598
80	Inch	84 <sup>8</sup> / <sub>16</sub>	40 <sup>6</sup> / <sub>16</sub>	19 <sup>9</sup> / <sub>16</sub>	23 <sup>9</sup> / <sub>16</sub>
	mm	2146	1026	497	598
100	Inch	101 <sup>7</sup> / <sub>16</sub>	40 <sup>6</sup> / <sub>16</sub>	19 <sup>9</sup> / <sub>16</sub>	23 <sup>9</sup> / <sub>16</sub>
	mm	2577	1026	497	598