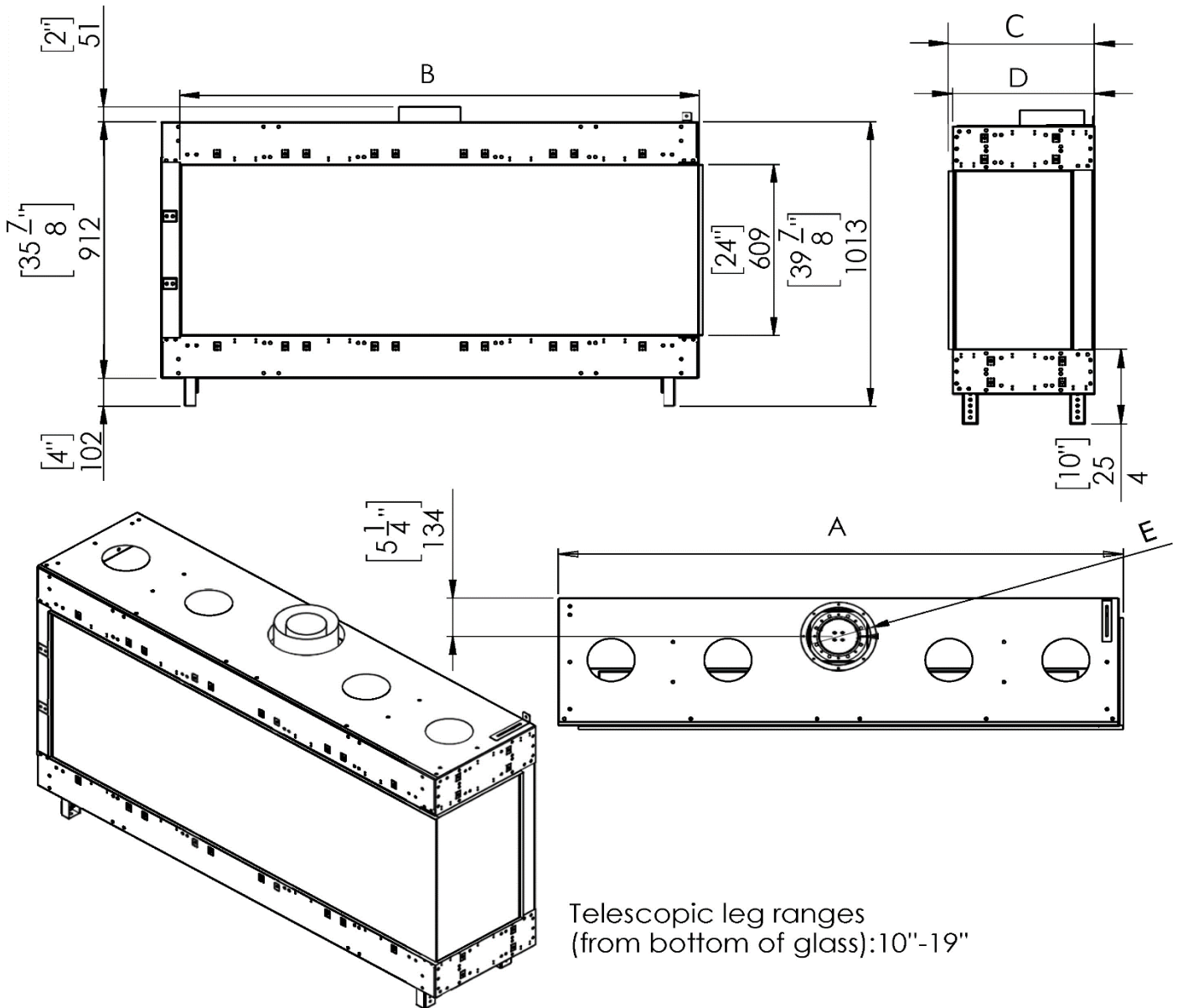
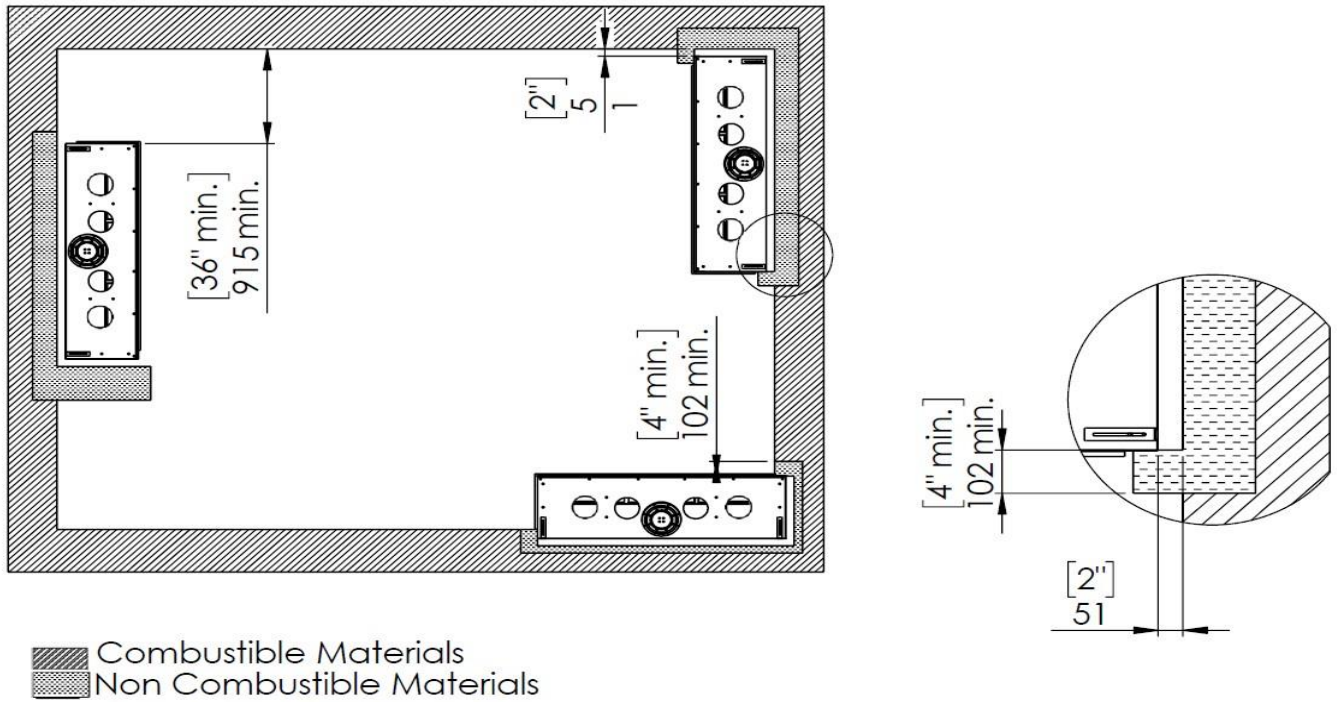


Fireplace Dimensions



Model		30	45	50	60	70	80	100
A	IN	30 9/16	43 9/16	50 4/16	60 1/16	69 15/16	82 8/16	99 7/16
	MM	776	1106	1276	1525	1776	2095	2525
B	IN	28 2/16	41 1/16	47 13/16	57 10/16	67 8/16	80 1/16	97
	MM	714	1042	1214	1463	1714	2033	2463
C	IN	18 1/16	18 1/16	18 1/16	18 1/16	18 1/16	18 1/16	18 1/16
	MM	458	458	458	458	458	458	458
D	IN	17 9/16	17 9/16	17 9/16	17 9/16	17 9/16	17 9/16	17 9/16
	MM	446	446	446	446	446	446	446
E	IN	4x6	4x6	5x8	5x8	5x8	5x8	5x8
	MM	101x152	101x152	127x203	127x203	127x203	127x203	127x203

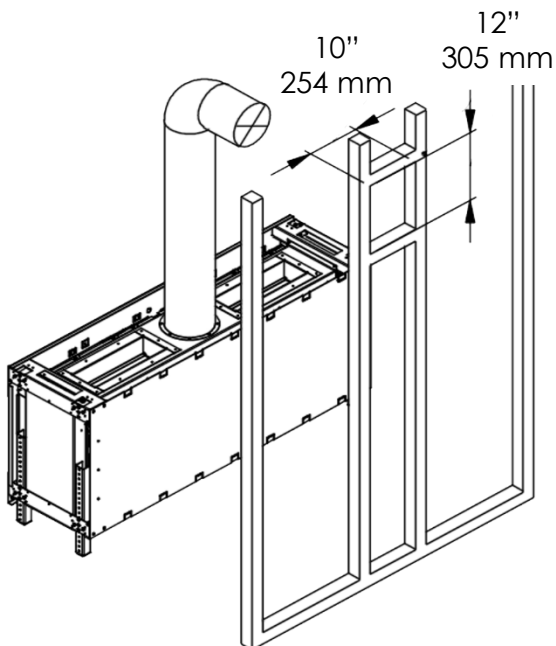
Clearances below are to non-combustible materials.



Chimney Installation

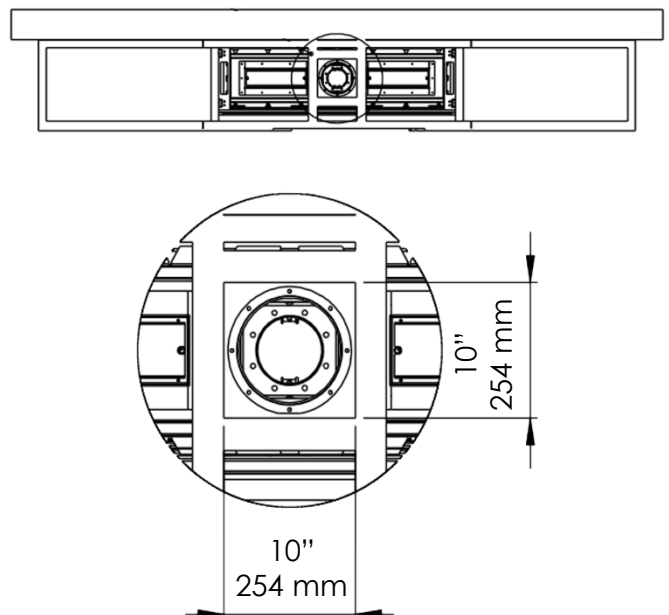
Horizontal Termination

For 5x8 vent pipe termination create a 10"x12" opening

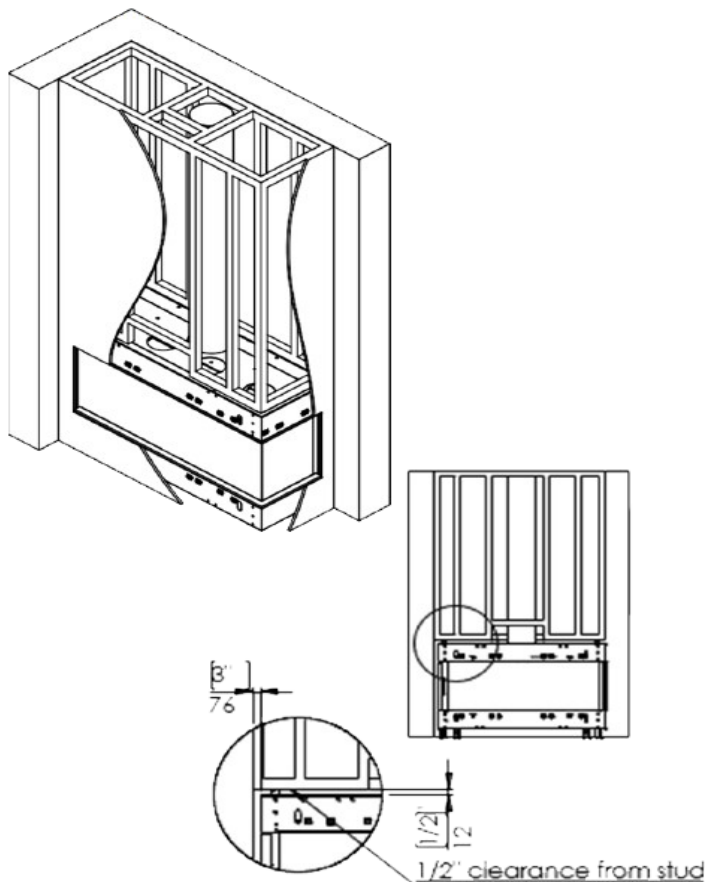


Vertical Termination

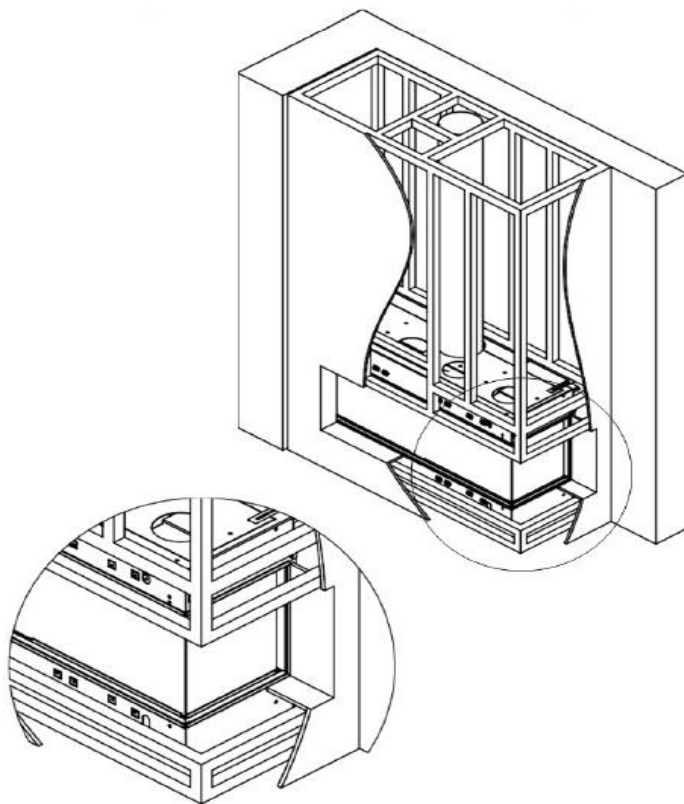
For 5x8 vent pipe termination create a 10"x10" opening



Flat Installation



Recessed Installation



0 - 4" Recommended, 8" Max

Heat Release and Air Intake

Required Heat Release Open Air-Flow Minimum

80" and 100" Fireplaces - 200 square inches minimum.

60" and 70" Fireplaces - 140 square inches minimum.

30", 45", 50" Fireplaces - 100 square inches minimum.

Required Air Intake Open Air-Flow Minimum

80" and 100" Fireplaces - 100 square inches minimum.

60" and 70" Fireplaces - 70 square inches minimum.

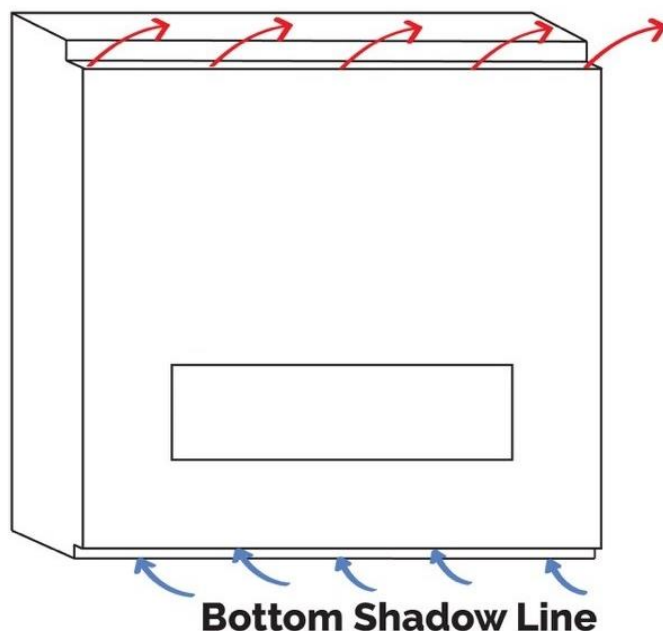
30", 45", 50" Fireplaces - 50 square inches minimum.

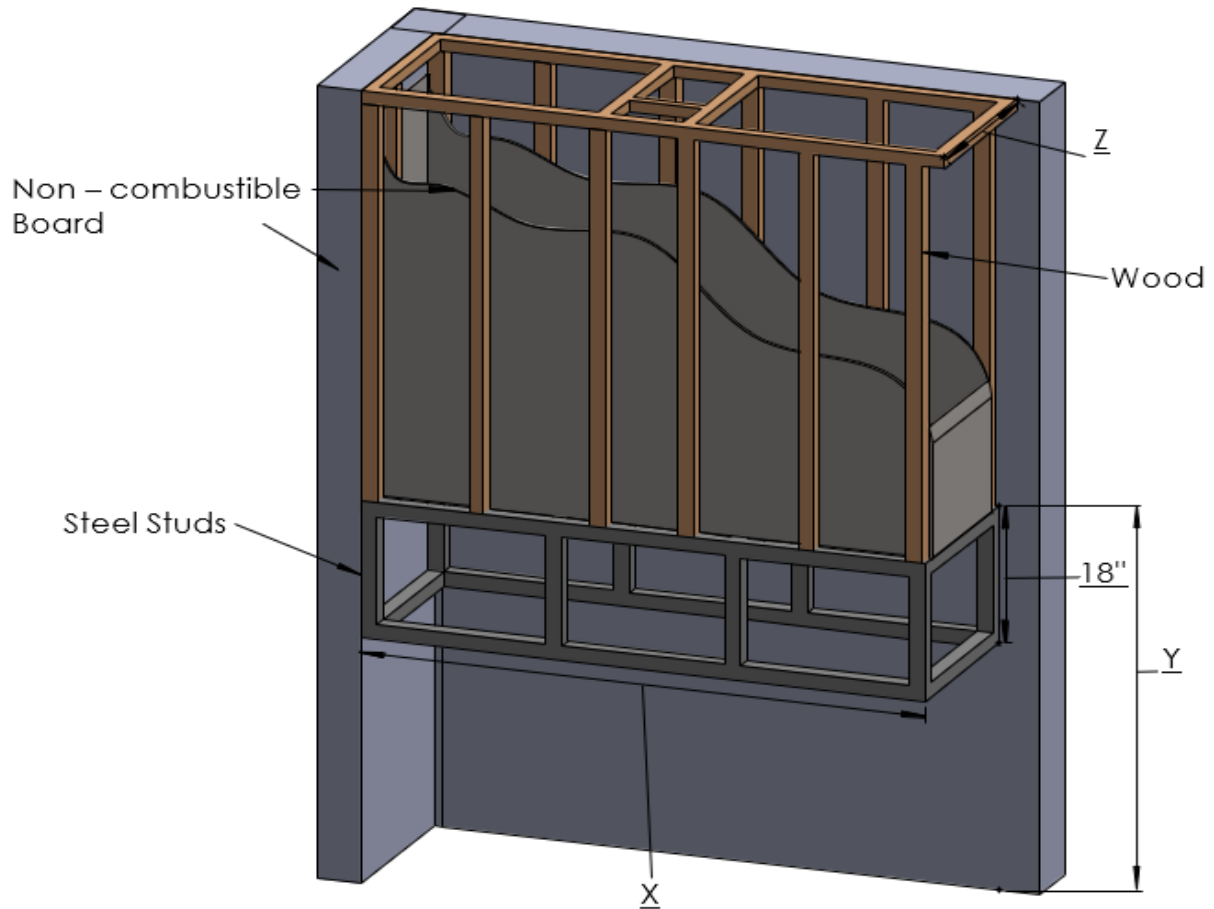
*(*Blower Kit and Cool Glass)*

*(**See Through and Room Definer Requirements Double.)*

*(***Openings are measured for open air-flow)*

Top Shadow Line

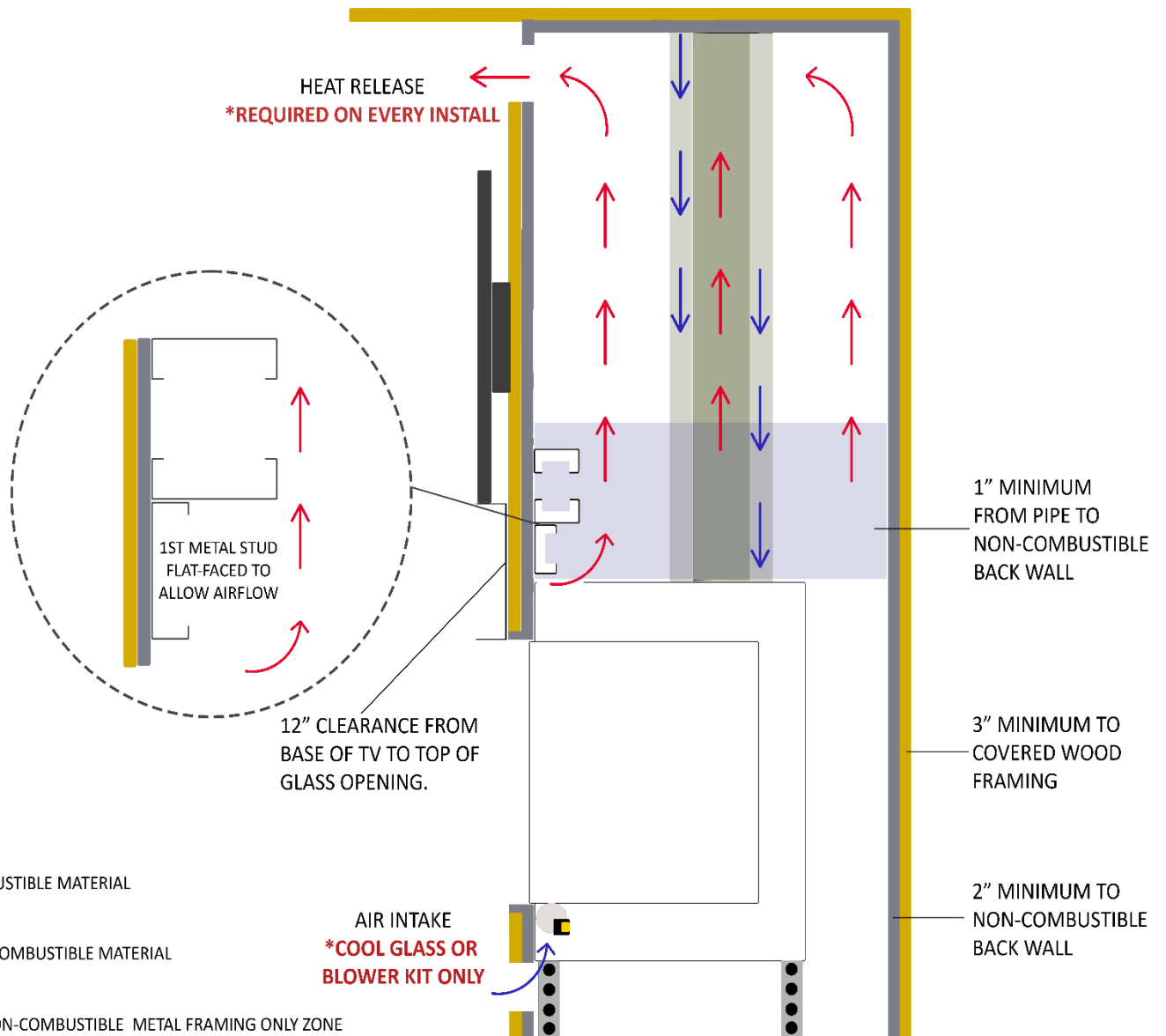




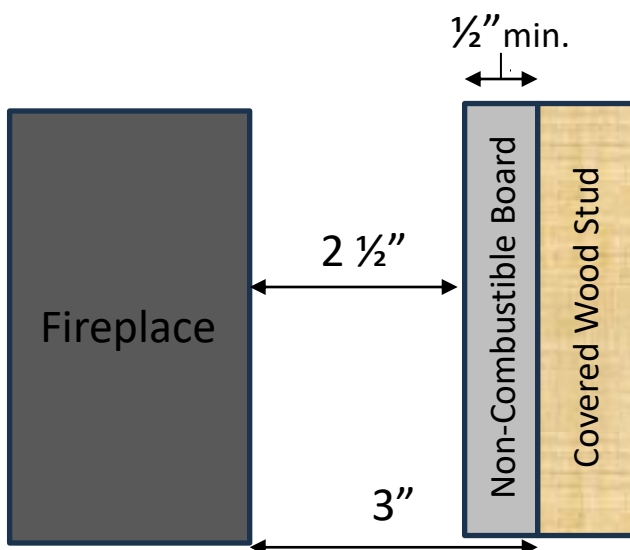
NOTE: Dimension “Y” assumes the fireplace legs are set to the default height of 4”, placing the glass opening at 10” above the floor. This “Y” dimension can change based on where your client wants their viewing window.

*All framing and finishing must be secured to your projects back wall, ceiling or floor and must never bear weight on the fireplace in any circumstance. For more information reference the [Installation Manual](#).

Model		X	Y	Z	
				Flat Installation	Recess Installation (4")
30	IN	33 9/16	58 6/16	20 9/16	24 9/16
	MM	852	1482	522	623
45	IN	46 9/16	58 6/16	20 9/16	24 9/16
	MM	1182	1482	522	623
50	IN	53 4/16	58 6/16	20 9/16	24 9/16
	MM	1352	1482	522	623
60	IN	63 1/16	58 6/16	20 9/16	24 9/16
	MM	1601	1482	522	623
70	IN	72 15/16	58 6/16	20 9/16	24 9/16
	MM	1852	1482	522	623
80	IN	85 8/16	58 6/16	20 9/16	24 9/16
	MM	2171	1482	522	623
100	IN	102 7/16	58 6/16	20 9/16	24 9/16
	MM	2601	1482	522	623



Wood Framing Clearances and Materials Example



*Any combustible material found within the fireplace cavity must be covered with a minimum 1/2" thick non-combustible board and maintain a 3" clearance to the sides and back of the fireplace.