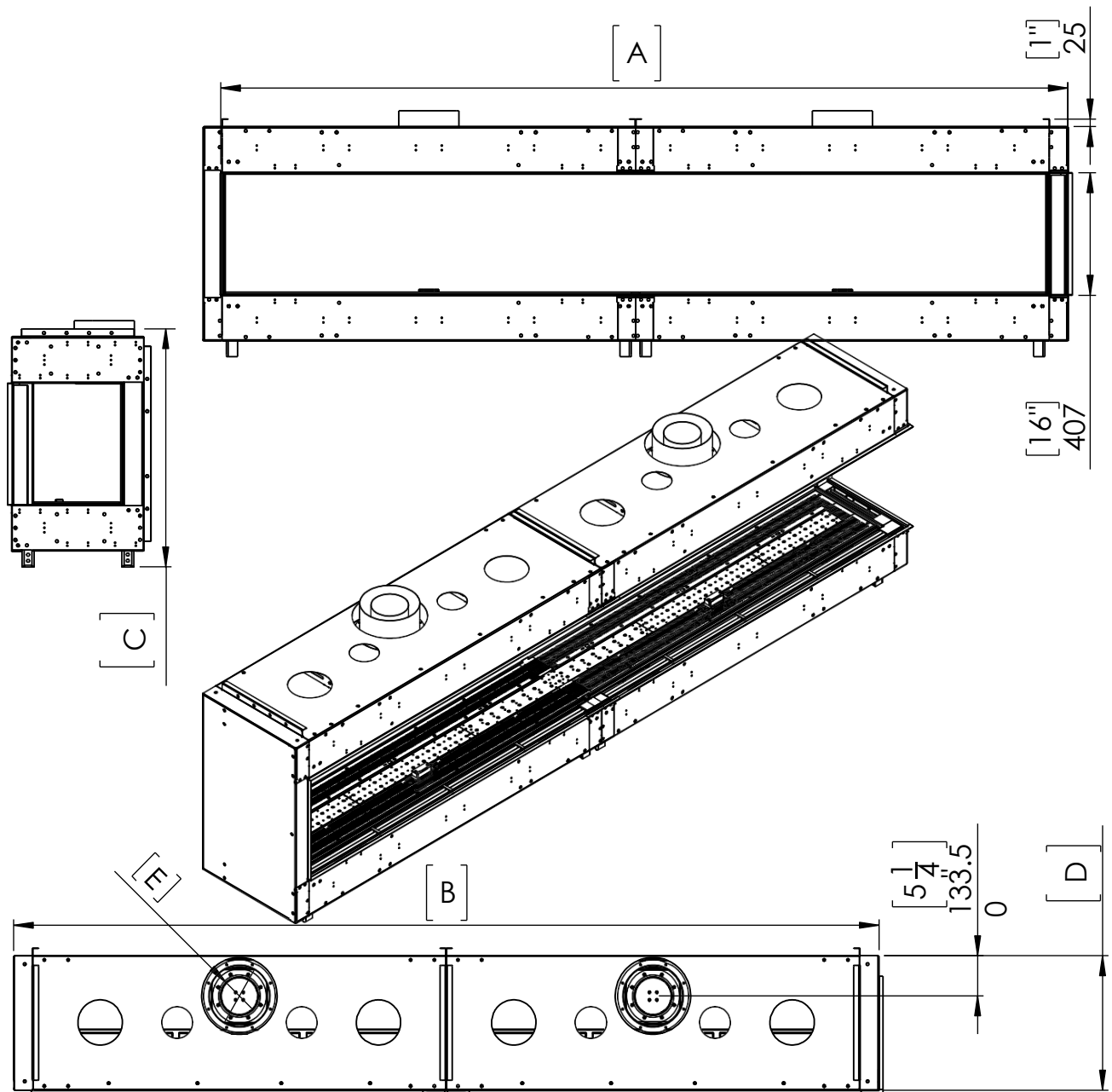
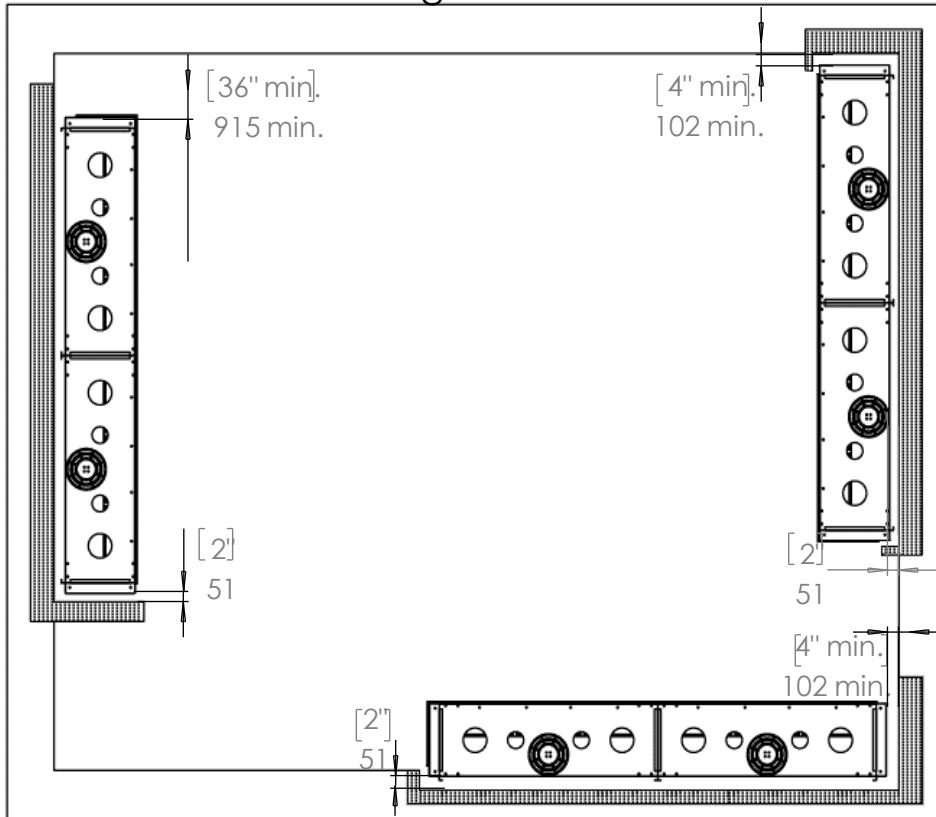


### Fireplace Dimensions



Model	120	140	160	200
A- Inch	112 <sup>10</sup> / <sub>16</sub>	132 <sup>5</sup> / <sub>16</sub>	157 <sup>8</sup> / <sub>16</sub>	191 <sup>6</sup> / <sub>16</sub>
B- Inch	115 <sup>1</sup> / <sub>16</sub>	134 <sup>12</sup> / <sub>16</sub>	159 <sup>15</sup> / <sub>16</sub>	193 <sup>13</sup> / <sub>16</sub>
C- Inch	31 <sup>1</sup> / <sub>16</sub>	31 <sup>1</sup> / <sub>16</sub>	31 <sup>1</sup> / <sub>16</sub>	31 <sup>1</sup> / <sub>16</sub>
D- Inch	17 <sup>9</sup> / <sub>16</sub>	17 <sup>9</sup> / <sub>16</sub>	17 <sup>9</sup> / <sub>16</sub>	17 <sup>9</sup> / <sub>16</sub>
E- Inch	5x8	5x8	5x8	5x8

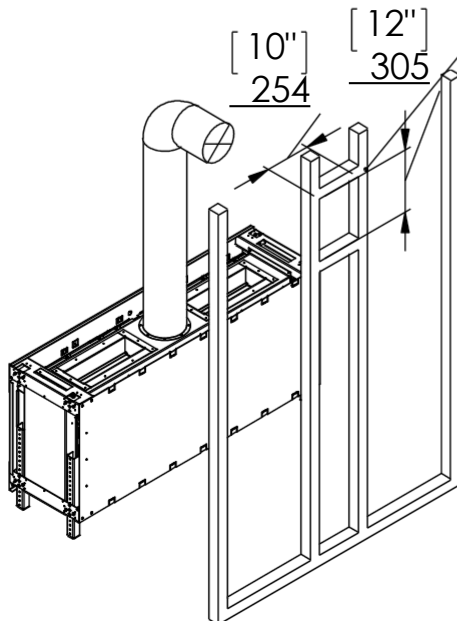
## Clearances to finishing materials



## Chimney Installation

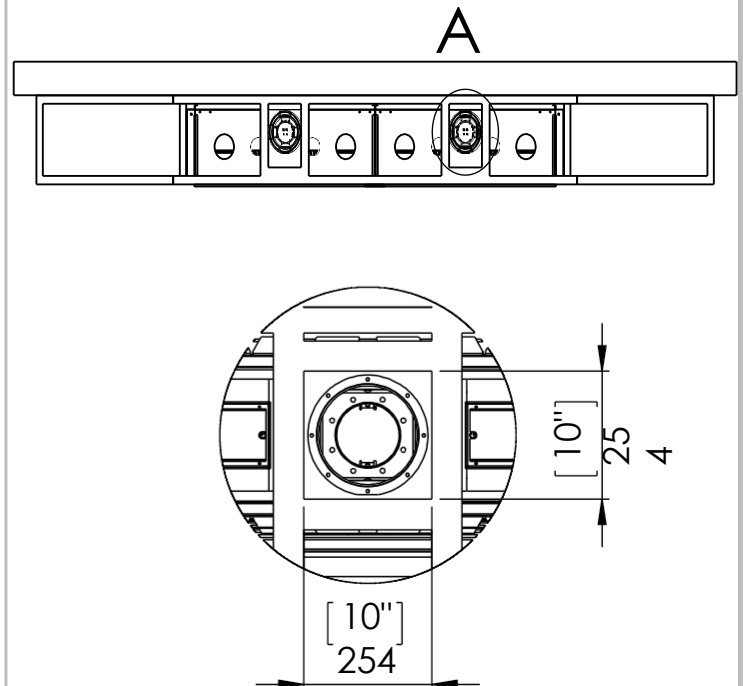
### Horizontal Termination

For 5 x 8 vent size create 10" x 12" vent termination opening

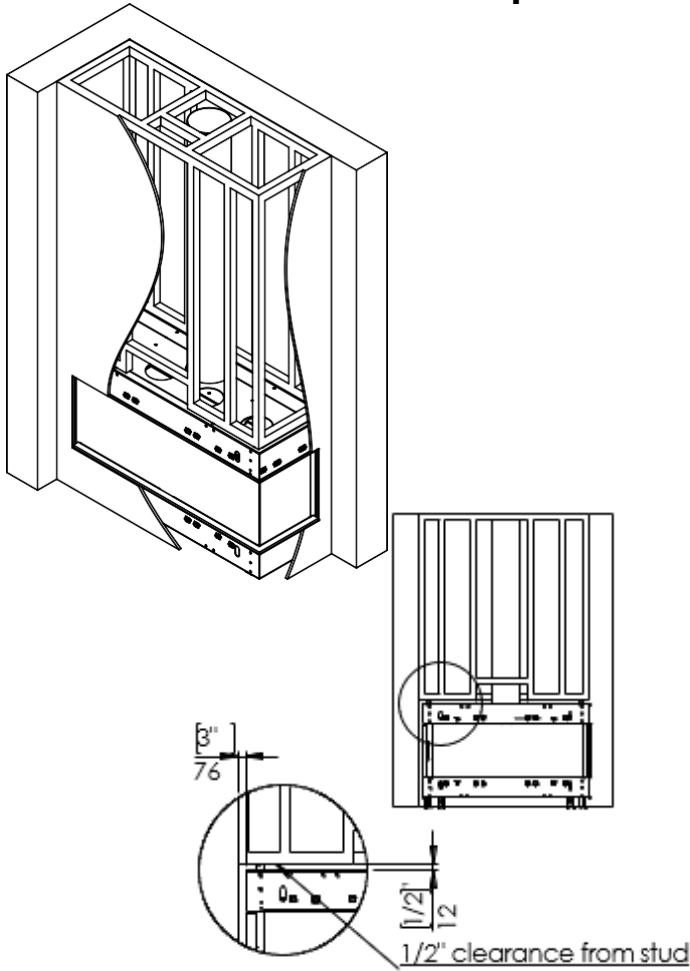


### Vertical Termination

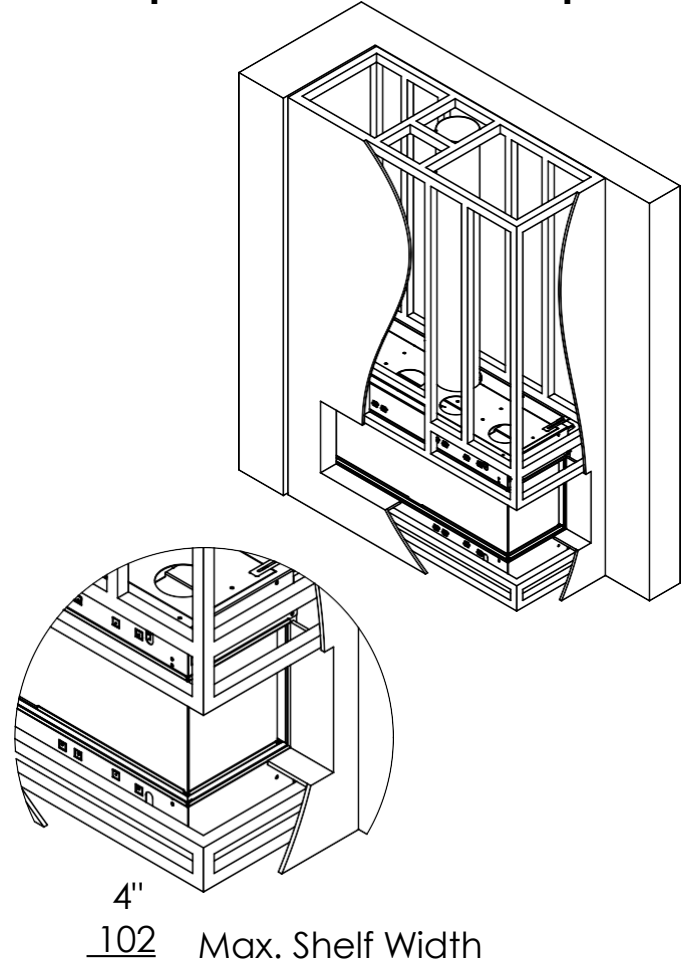
For 5 x 8 vent size create 10" x 10" vent termination opening



## Flat Installation Example



## L Shape Installation Example



## Heat Release and Air Intakes

**The following sizes MUST be maintained for the upper heat release:**

For fireplaces 160" & 200" – open vent area must be at least 400 square inches.

For fireplaces 120" & 140" – open vent area must be at least 280 square inches.

**The following sizes MUST be maintained for the lower air intake:**

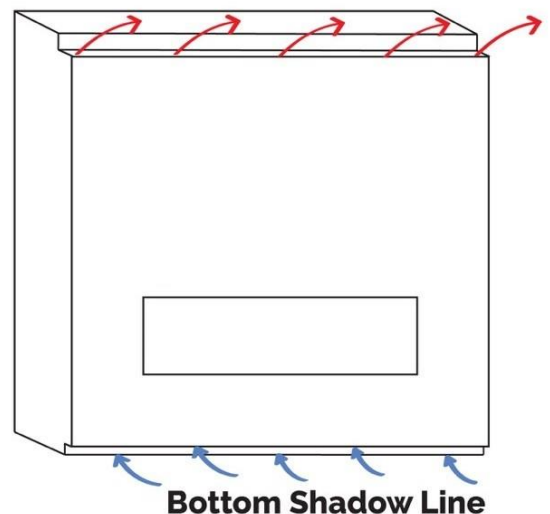
For fireplaces 160" & 200" – open vent area must be at least 200 square inches.


For fireplaces 120" & 140" - open vent area must be at least 140 square inches.

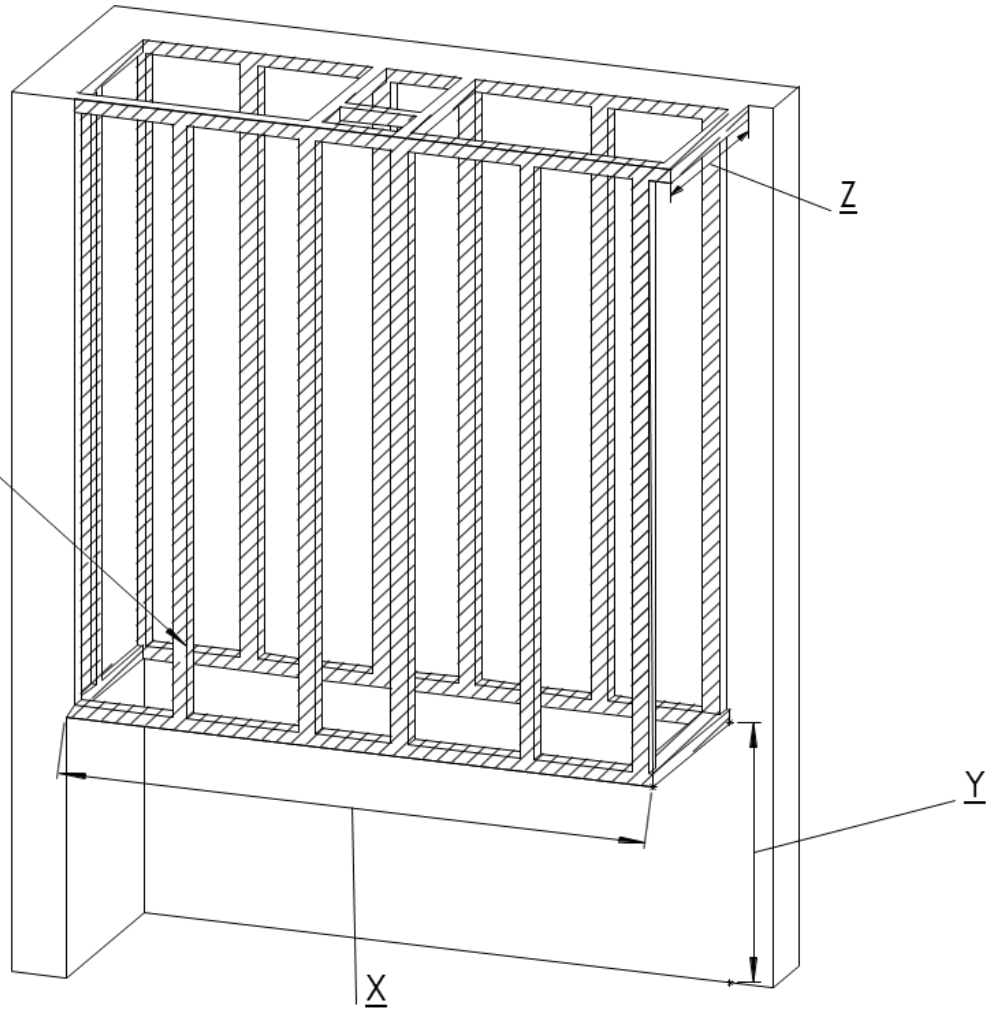
**NOTE:** Openings above for Heat Release and Air Intake are measured for open air space. **BE SURE TO CALCULATE FOR RESTRICTIONS IN GRATING.**

**NOTE:** For cooler operating wall temperature and Double Glass Safety Barrier, it is recommended to exceed the minimum requirements above.

### Top Shadow Line



 Metal Stud with Non-Combustible back wall



**NOTE: Dimension 'Y' uses fireplace at default lowest height with glass viewing window beginning 8 ¼" above the floor. Any higher viewing windows must have a platform created to raise fireplace off the floor and increase the value of 'Y' to accommodate any increase.**

		X	Y	Z	
				Flat Installation	Recess Installation ( 4" Max)
120	Inch	115 9/16	31 9/16	19 9/16	23 9/16
	mm	2901	802	497	598
140	Inch	135 4/16	31 9/16	19 9/16	23 9/16
	mm	3435	802	497	598
160	Inch	160 7/16	31 9/16	19 9/16	23 9/16
	mm	4075	802	497	598
200	Inch	194 5/16	31 9/16	19 9/16	23 9/16
	mm	4936	802	497	598