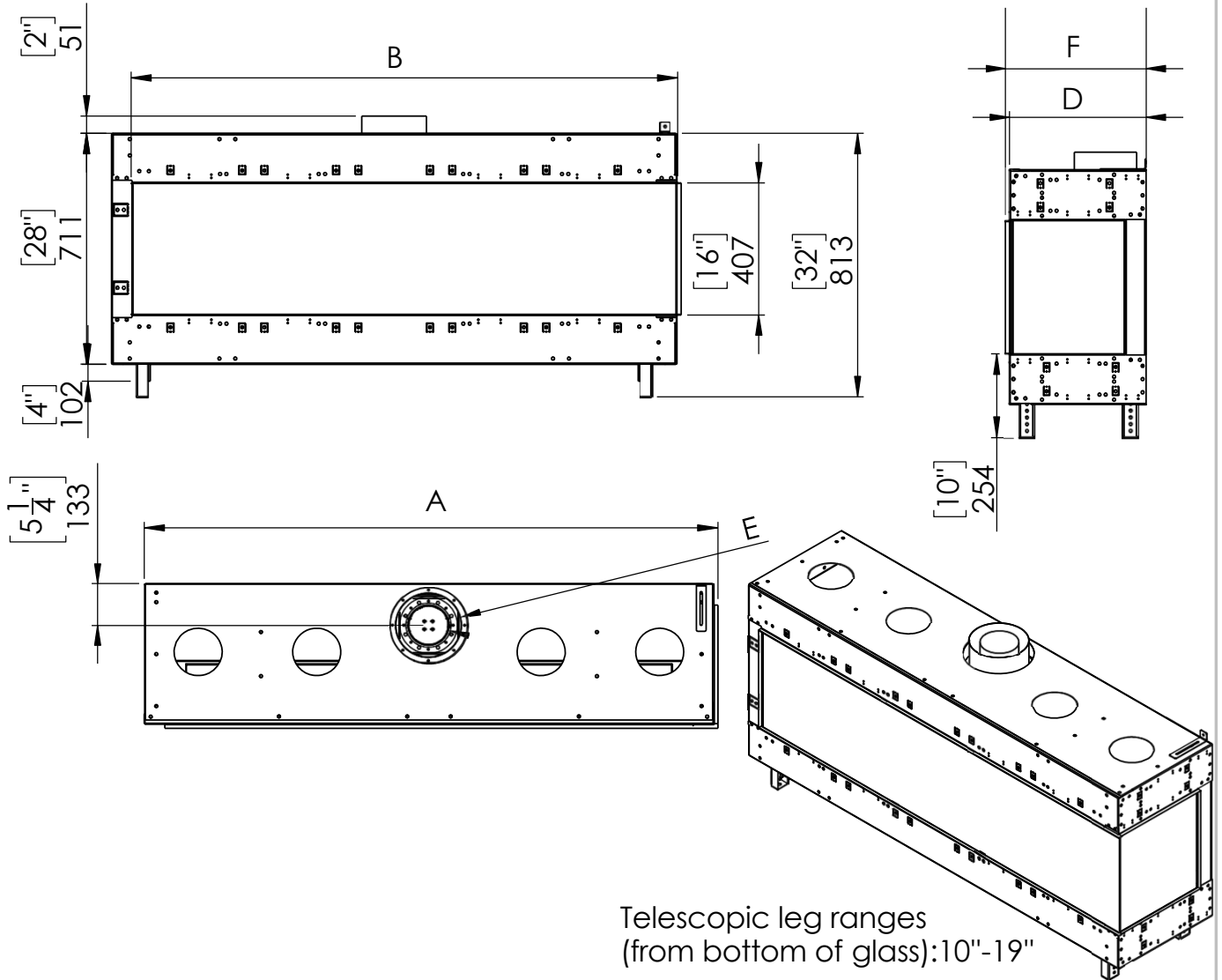
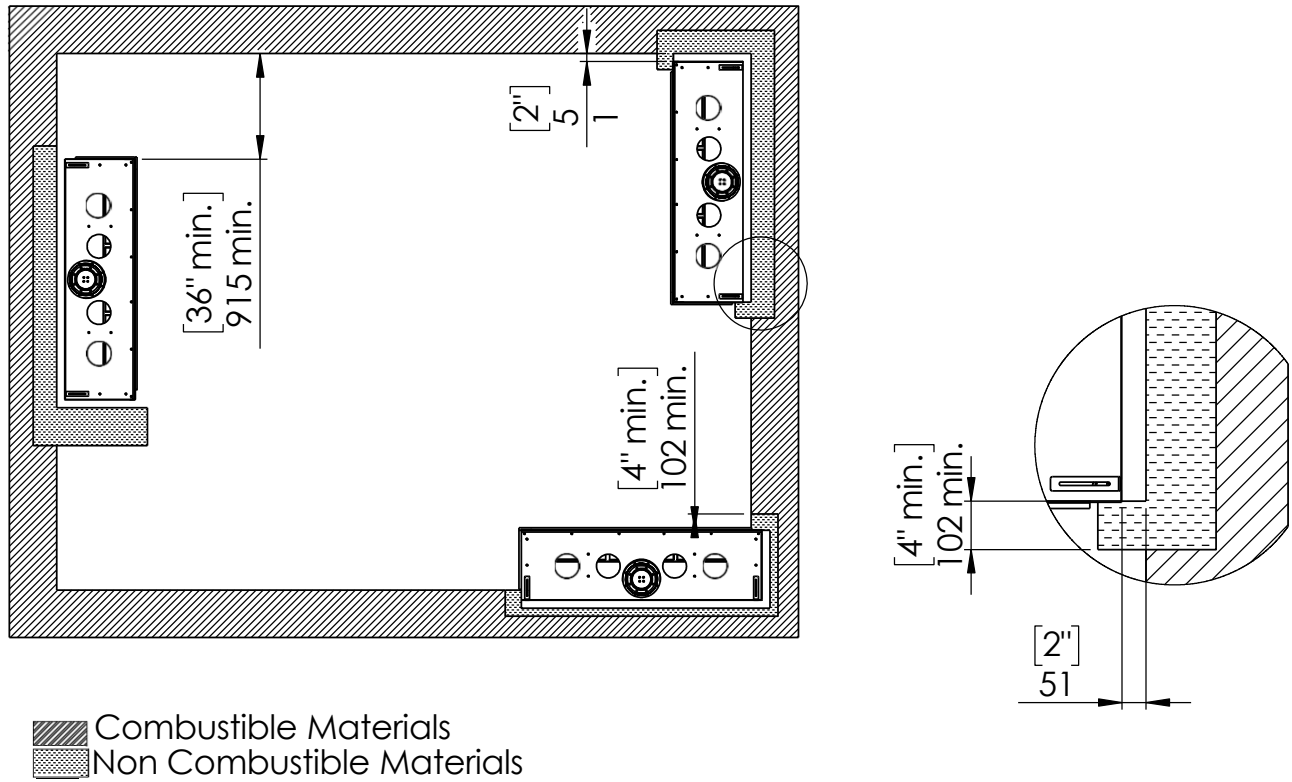


## Fireplace Dimensions



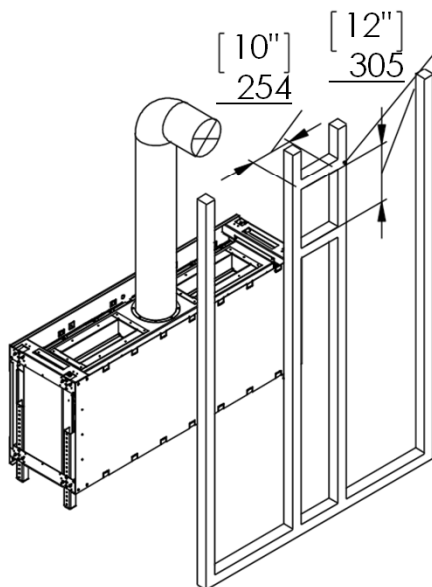
Model	45	50	60	70	80	100
A- Inch	43 9/16	50 4/16	60 1/16	69 15/16	82 8/16	99 7/16
B- Inch	41 1/16	47 13/16	57 10/16	67 8/16	80 1/16	97
F- Inch	18 1/16	18 1/16	18 1/16	18 1/16	18 1/16	18 1/16
D- Inch	17 9/16	17 9/16	17 9/16	17 9/16	17 9/16	17 9/16
E- Inch	4x6	5x8	5x8	5x8	5x8	5x8



## Chimney Installation

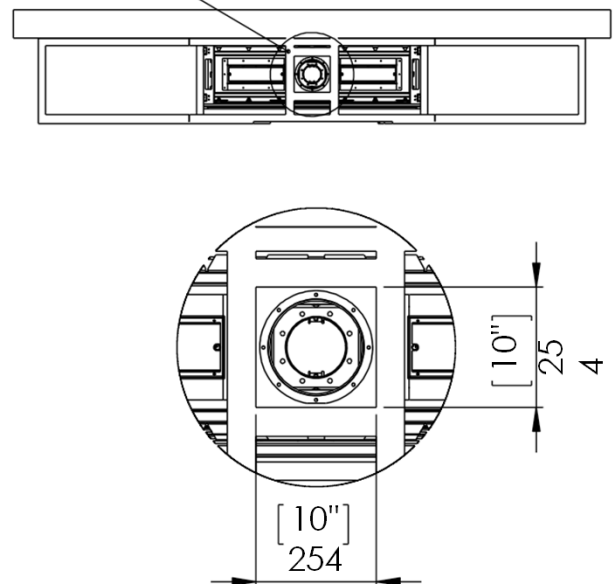
### Horizontal Termination

For 5 x 8 vent size create 10" x 12" vent termination opening

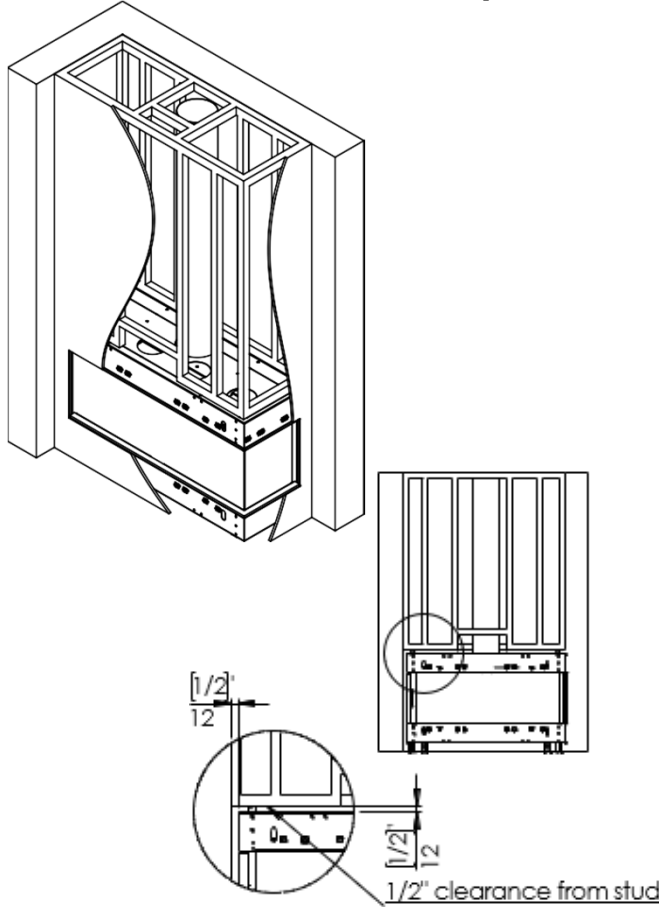


### Vertical Termination

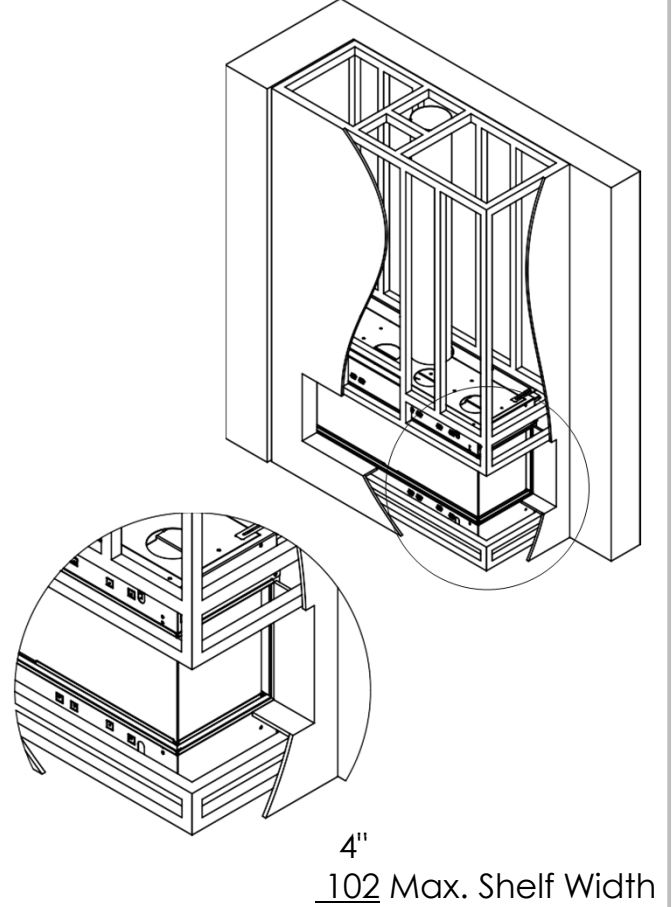
For 5 x 8 vent size create 10" x 10" vent termination opening



## Flat Installation Example



## L Shape Installation Example



## Heat Release and Air Intakes

### The following sizes MUST be maintained for the upper heat release:

For fireplaces sized **80" & 100"** – open vent area must be at least **200 square inches**.

For fireplaces sized **60" & 70"** – open vent area must be at least **140 square inches**.

For fireplace sized **50"** and below – open vent area must be at least **100 square inches**.

### The following sizes MUST be maintained for the lower air intake:

For fireplaces sized **80" & 100"** – open vent area must be at least **100 square inches**.

For fireplaces sized **60" & 70"** - open vent area must be at least **70 square inches**.

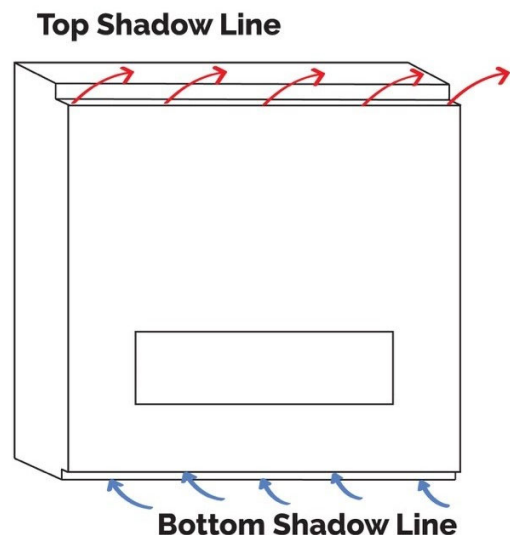
For fireplaces sized **50"** and below - open vent area must be at least **50 square inches**.

For See Through and Room Definer fireplaces, the air intake requirements are **double**.

**NOTE: Openings above for Heat Release and Air Intake are measured for open air space. BE SURE TO CALCULATE FOR RESTRICTIONS IN GRATING.**

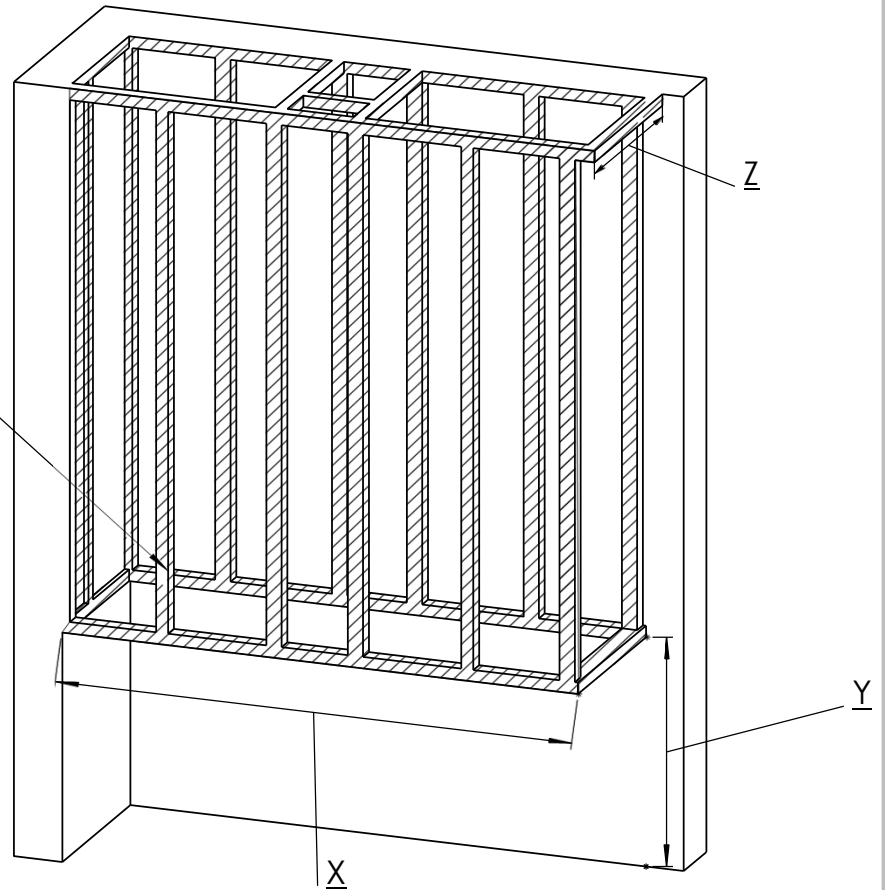
**NOTE: On all See Through and Room Definer units the air intake must be doubled**

Air Intakes required for Double Glass or Optional Blower kits ONLY.



# Metal Framing Dimensions

 Metal Stud  
 with Non-  
 Combustible  
 back wall



**Metal Studs must be self supported.**  
**Metal Studs must not connect to Fireplace.**  
**Metal Studs must maintain ½" clearance to Fireplace.**

**NOTE: Dimension 'Y' uses legs at default lowest height 4" below the unit with glass beginning 10" above the floor. Increase leg height and Y dimension for higher viewing window.**

		X	Y	Z	
				Flat Installation	Recess Installation ( 4" Max)
45	Inch	45 <sup>9</sup> / <sub>16</sub>	32 <sup>8</sup> / <sub>16</sub>	19 <sup>9</sup> / <sub>16</sub>	23 <sup>9</sup> / <sub>16</sub>
	mm	1144	826	497	598
50	Inch	52 <sup>4</sup> / <sub>16</sub>	32 <sup>8</sup> / <sub>16</sub>	19 <sup>9</sup> / <sub>16</sub>	23 <sup>9</sup> / <sub>16</sub>
	mm	1327	826	497	598
60	Inch	62 <sup>1</sup> / <sub>16</sub>	32 <sup>8</sup> / <sub>16</sub>	19 <sup>9</sup> / <sub>16</sub>	23 <sup>9</sup> / <sub>16</sub>
	mm	1576	826	497	598
70	Inch	71 <sup>15</sup> / <sub>16</sub>	32 <sup>8</sup> / <sub>16</sub>	19 <sup>9</sup> / <sub>16</sub>	23 <sup>9</sup> / <sub>16</sub>
	mm	1827	826	497	598
80	Inch	84 <sup>8</sup> / <sub>16</sub>	32 <sup>8</sup> / <sub>16</sub>	19 <sup>9</sup> / <sub>16</sub>	23 <sup>9</sup> / <sub>16</sub>
	mm	2146	826	497	598
100	Inch	101 <sup>7</sup> / <sub>16</sub>	32 <sup>8</sup> / <sub>16</sub>	19 <sup>9</sup> / <sub>16</sub>	23 <sup>9</sup> / <sub>16</sub>
	mm	2577	826	497	598