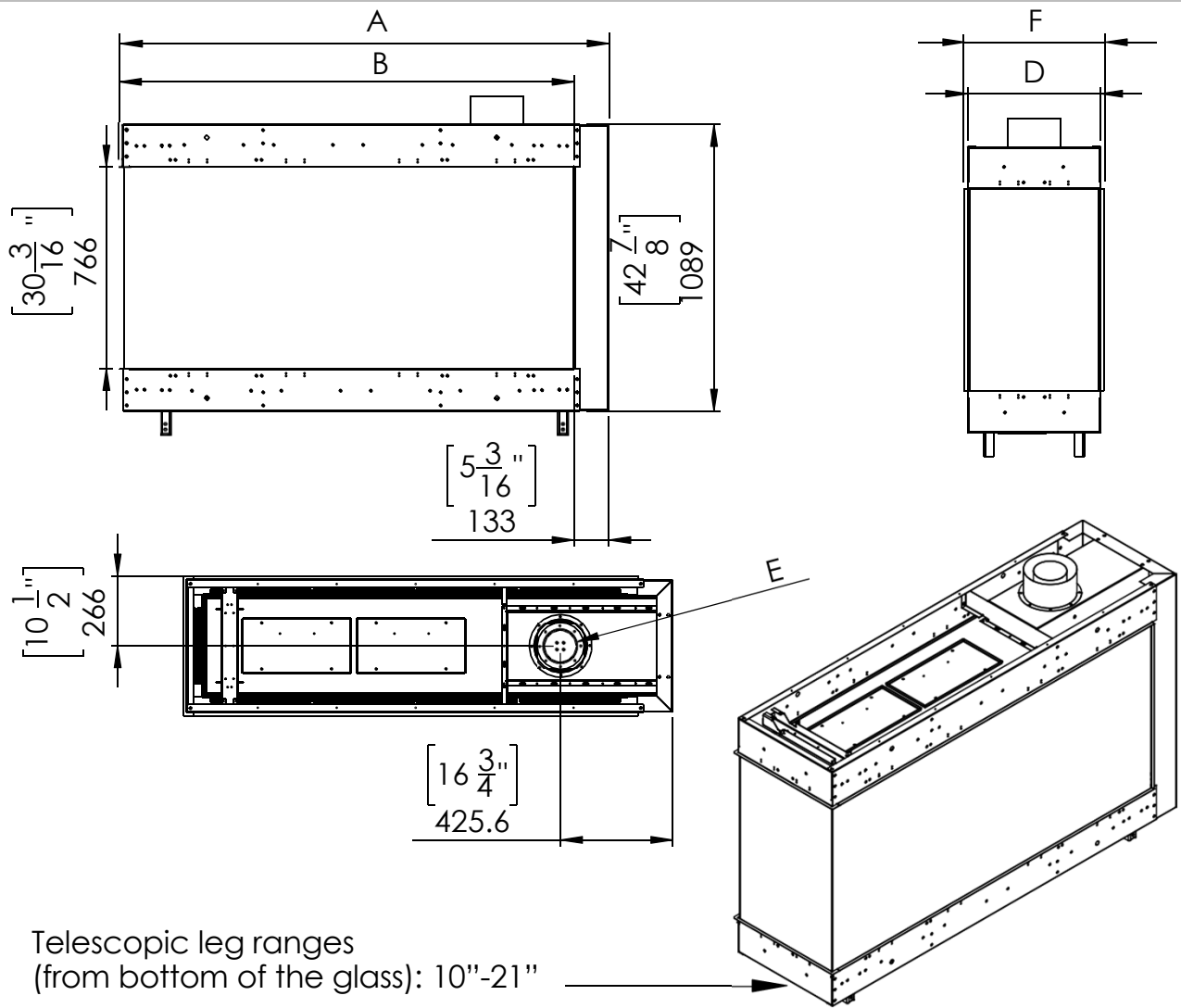
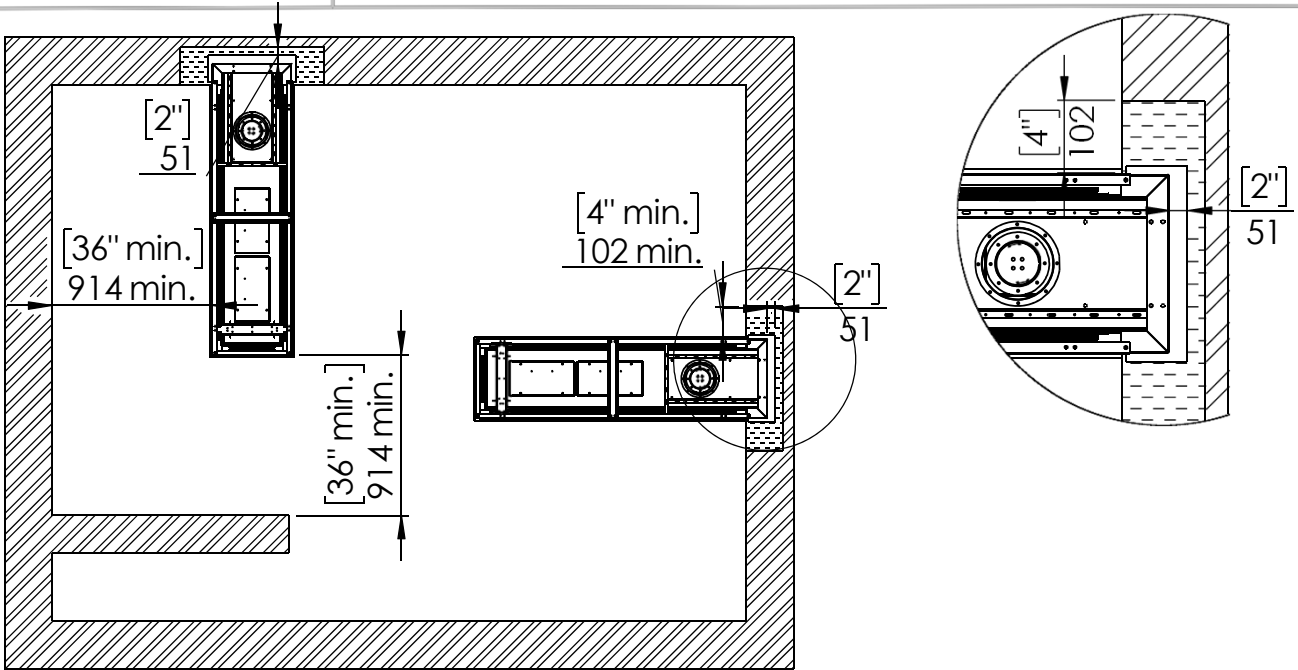


## Fireplace Dimensions



Model	45	50	60	70	80	100
<b>A- Inch</b>	46 <sup>15</sup> / <sub>16</sub>	53 <sup>8</sup> / <sub>16</sub>	63 <sup>6</sup> / <sub>16</sub>	73 <sup>4</sup> / <sub>16</sub>	86	100 <sup>8</sup> / <sub>16</sub>
<b>B- Inch</b>	46 <sup>5</sup> / <sub>16</sub>	53	62 <sup>13</sup> / <sub>16</sub>	72 <sup>11</sup> / <sub>16</sub>	85 <sup>7</sup> / <sub>16</sub>	99 <sup>4</sup> / <sub>16</sub>
<b>F- Inch</b>	20 <sup>15</sup> / <sub>16</sub>	20 <sup>15</sup> / <sub>16</sub>	20 <sup>15</sup> / <sub>16</sub>	20 <sup>15</sup> / <sub>16</sub>	20 <sup>15</sup> / <sub>16</sub>	20 <sup>15</sup> / <sub>16</sub>
<b>D- Inch</b>	19 <sup>15</sup> / <sub>16</sub>	19 <sup>15</sup> / <sub>16</sub>	19 <sup>15</sup> / <sub>16</sub>	19 <sup>15</sup> / <sub>16</sub>	19 <sup>15</sup> / <sub>16</sub>	19 <sup>15</sup> / <sub>16</sub>
<b>E- Inch</b>	5x8	5x8	5x8	5x8	5x8	5x8

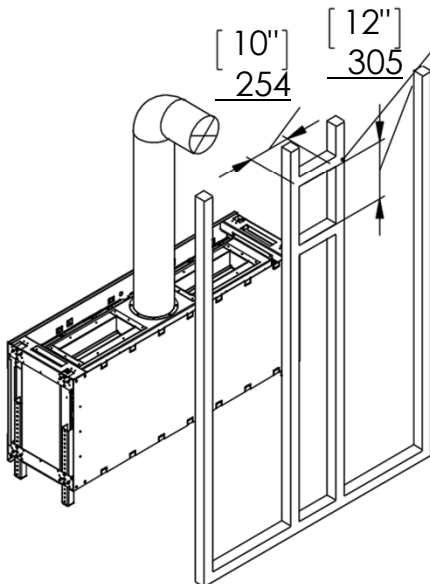


Combustible Materials  
 Non Combustible Materials

## Chimney Installation

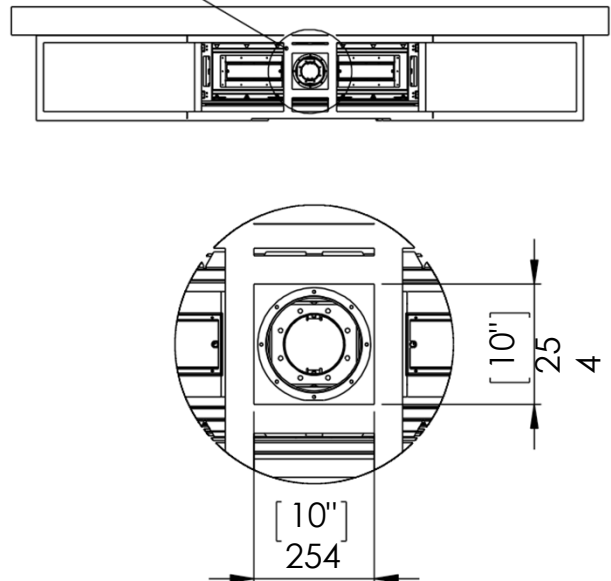
### Horizontal Termination

For 5 x 8 vent size create 10" x 12" vent termination opening

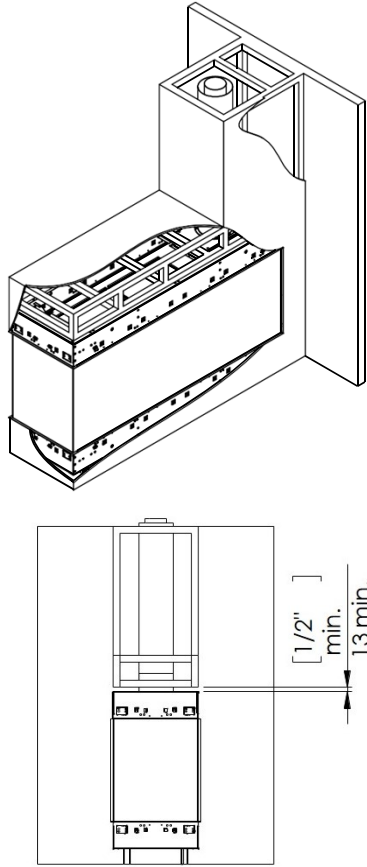


### Vertical Termination

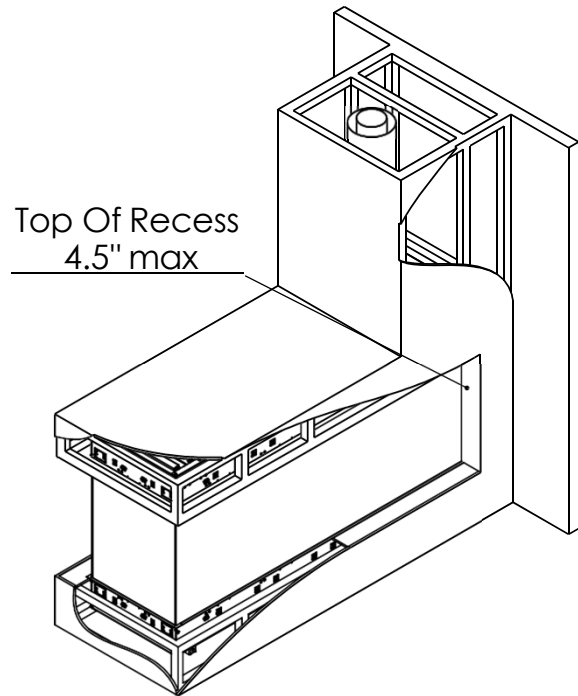
For 5 x 8 vent size create 10" x 10" vent termination opening



## Flat Installation Example



## L Shape Installation Example



## Heat Release and Air Intakes

### The following sizes MUST be maintained for the upper heat release:

For fireplaces sized **80" & 100"** – open vent area must be at least **200 square inches**.

For fireplaces sized **60" & 70"** – open vent area must be at least **140 square inches**.

For fireplace sized **50"** and below – open vent area must be at least **100 square inches**.

### The following sizes MUST be maintained for the lower air intake:

For fireplaces sized **80" & 100"** – open vent area must be at least **100 square inches**.

For fireplaces sized **60" & 70"** - open vent area must be at least **70 square inches**.

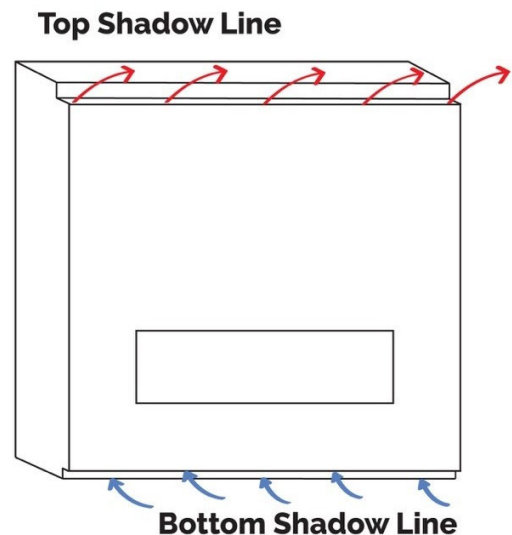
For fireplaces sized **50"** and below - open vent area must be at least **50 square inches**.

For See Through and Room Definer fireplaces, the air intake requirements are **double**.

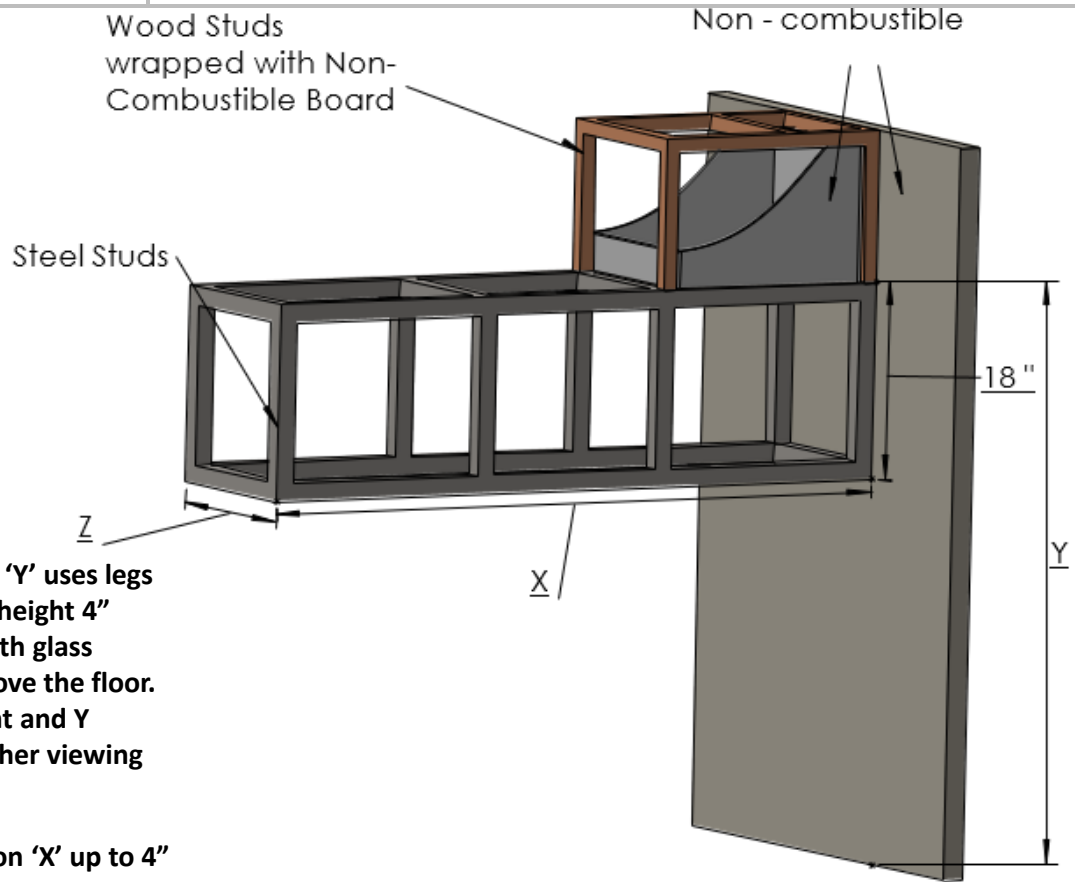
**NOTE: Openings above for Heat Release and Air Intake are measured for open air space. BE SURE TO CALCULATE FOR RESTRICTIONS IN GRATING.**

**NOTE: On all See Through and Room Definer units the air intake must be doubled**

Air Intakes required for Double Glass or Optional Blower kits ONLY.



# Wood Framing Dimensions



**NOTE: Dimension 'Y' uses legs at default lowest height 4" below the unit with glass beginning 10" above the floor. Increase leg height and Y dimension for higher viewing window.**

**Increase Dimension 'X' up to 4" in the event of a recess, to match recess depth of Dimension 'Z'.**

		X	Y	Z	
				Flat Installation	Recess Installation ( 4" Max)
45	Inch	49 <sup>5</sup> / <sub>16</sub>	65 <sup>6</sup> / <sub>16</sub>	19 <sup>5</sup> / <sub>16</sub>	27 <sup>5</sup> / <sub>16</sub>
	mm	1253	1661	506	710
50	Inch	56	65 <sup>6</sup> / <sub>16</sub>	19 <sup>5</sup> / <sub>16</sub>	27 <sup>5</sup> / <sub>16</sub>
	mm	1406	1661	506	710
60	Inch	65 <sup>13</sup> / <sub>16</sub>	65 <sup>6</sup> / <sub>16</sub>	19 <sup>5</sup> / <sub>16</sub>	27 <sup>5</sup> / <sub>16</sub>
	mm	1672	1661	506	710
70	Inch	75 <sup>11</sup> / <sub>16</sub>	65 <sup>6</sup> / <sub>16</sub>	19 <sup>5</sup> / <sub>16</sub>	27 <sup>5</sup> / <sub>16</sub>
	mm	1922	1661	506	710
80	Inch	88 <sup>7</sup> / <sub>16</sub>	65 <sup>6</sup> / <sub>16</sub>	19 <sup>5</sup> / <sub>16</sub>	27 <sup>5</sup> / <sub>16</sub>
	mm	2246	1661	506	710
100	Inch	105 <sup>3</sup> / <sub>16</sub>	65 <sup>6</sup> / <sub>16</sub>	19 <sup>5</sup> / <sub>16</sub>	27 <sup>5</sup> / <sub>16</sub>
	mm	2672	1661	506	710