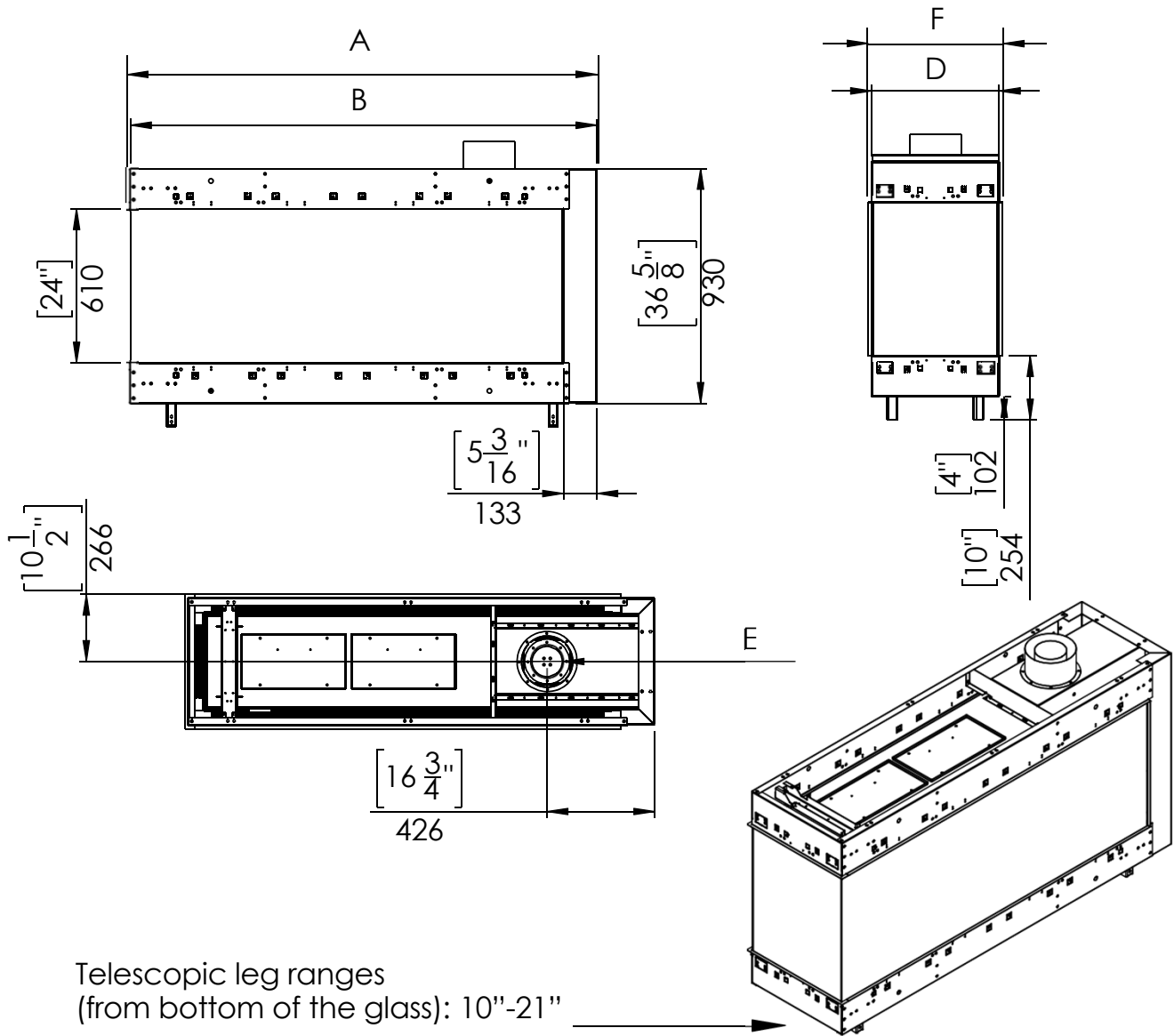
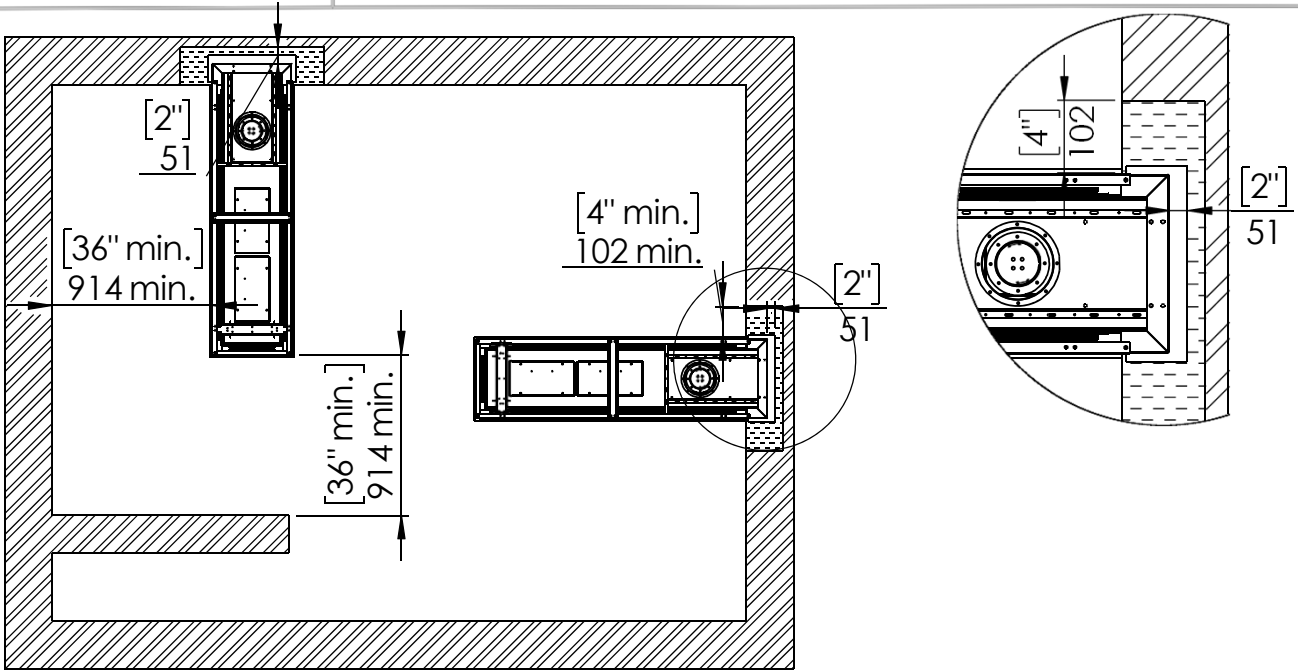


Fireplace Dimensions



| Model | 45 | 50 | 60 | 70 | 80 | 100 |
|---------|----------|----------|----------|----------|----------|-----------|
| A- Inch | 46 15/16 | 53 8/16 | 63 6/16 | 73 4/16 | 86 | 102 12/16 |
| B- Inch | 46 5/16 | 53 | 62 13/16 | 72 11/16 | 85 7/16 | 102 3/16 |
| F- Inch | 20 15/16 | 20 15/16 | 20 15/16 | 20 15/16 | 20 15/16 | 20 15/16 |
| D- Inch | 19 15/16 | 19 15/16 | 19 15/16 | 19 15/16 | 19 15/16 | 19 15/16 |
| E- Inch | 5x8 | 5x8 | 5x8 | 5x8 | 5x8 | 5x8 |

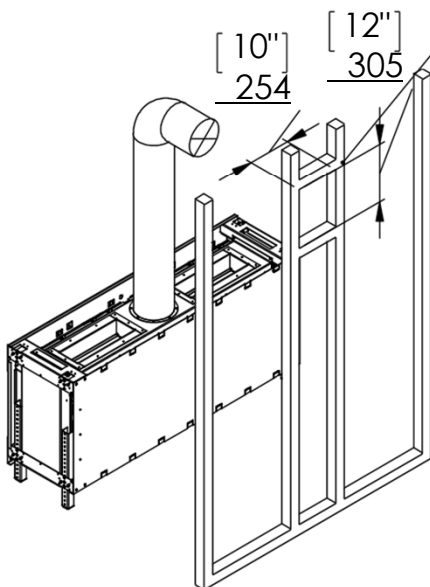


 Combustible Materials
 Non Combustible Materials

Chimney Installation

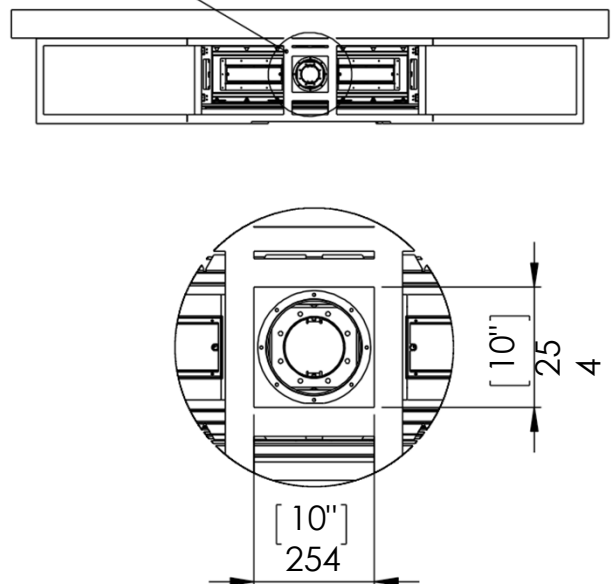
Horizontal Termination

For 5 x 8 vent size create 10" x 12" vent termination opening

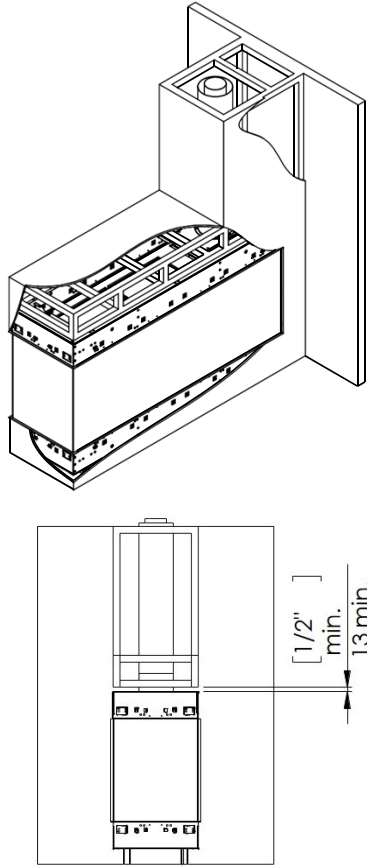


Vertical Termination

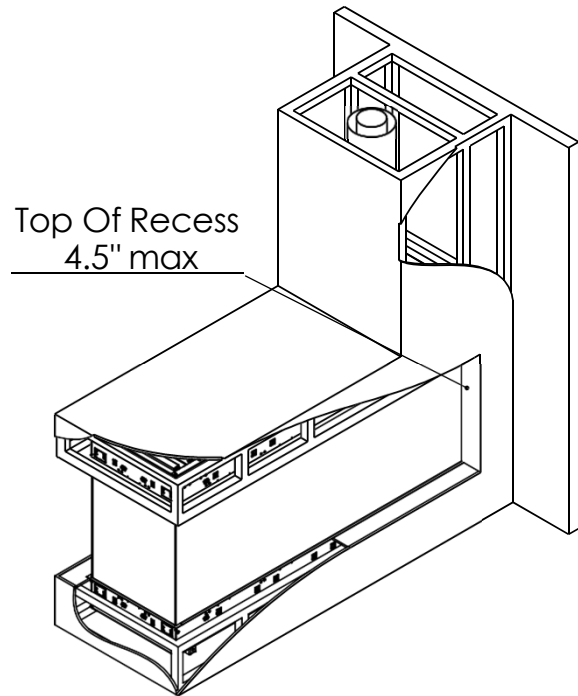
For 5 x 8 vent size create 10" x 10" vent termination opening



Flat Installation Example



L Shape Installation Example



Heat Release and Air Intakes

The following sizes MUST be maintained for the upper heat release:

For fireplaces sized **80" & 100"** – open vent area must be at least **200 square inches**.

For fireplaces sized **60" & 70"** – open vent area must be at least **140 square inches**.

For fireplace sized **50"** and below – open vent area must be at least **100 square inches**.

The following sizes MUST be maintained for the lower air intake:

For fireplaces sized **80" & 100"** – open vent area must be at least **100 square inches**.

For fireplaces sized **60" & 70"** - open vent area must be at least **70 square inches**.

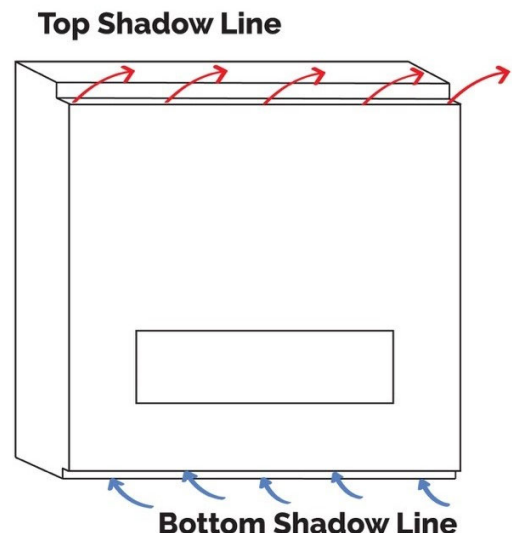
For fireplaces sized **50"** and below - open vent area must be at least **50 square inches**.

For See Through and Room Definer fireplaces, the air intake requirements are **double**.

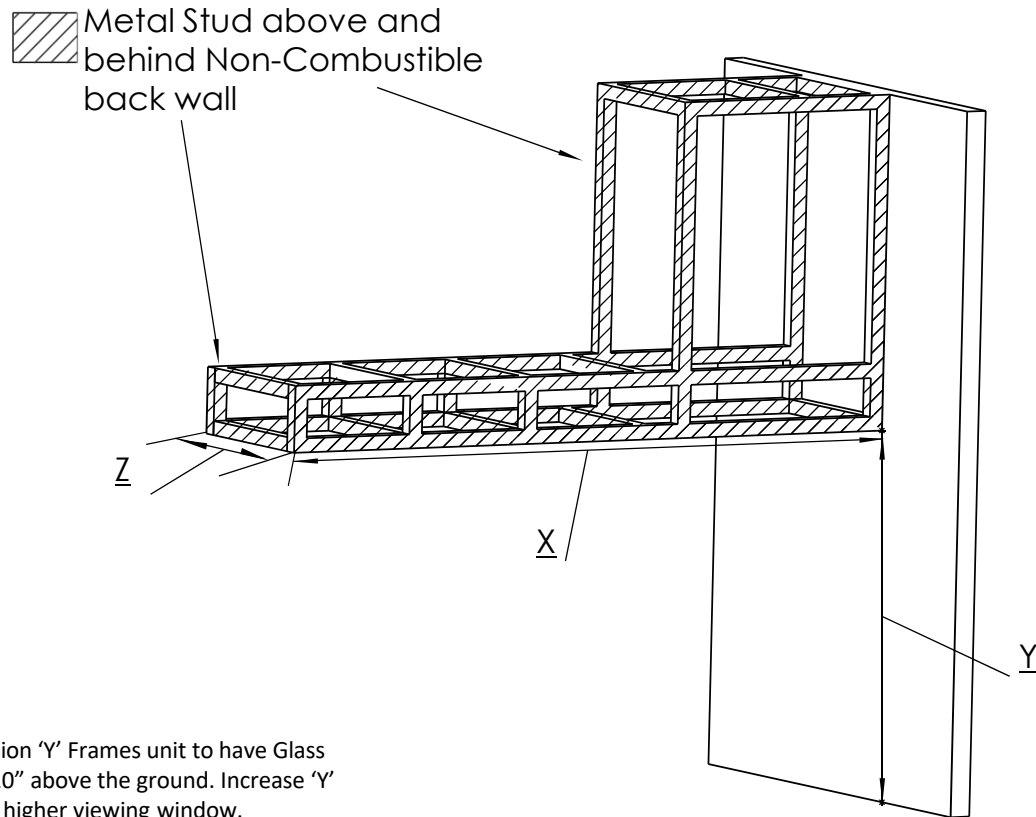
NOTE: Openings above for Heat Release and Air Intake are measured for open air space. BE SURE TO CALCULATE FOR RESTRICTIONS IN GRATING.

NOTE: On all See Through and Room Definer units the air intake must be doubled

Air Intakes required for Double Glass or Optional Blower kits ONLY.



Metal Framing Dimensions



NOTE: Dimension 'Y' Frames unit to have Glass Height begin 10" above the ground. Increase 'Y' Dimension for higher viewing window.

| | | X | Y | Z | |
|-----|------|----------------------------------|---------------------------------|---------------------------------|---------------------------------|
| | | | | Flat Installation | Recess Installation (4" Max) |
| 45 | Inch | 48 ⁵ / ₁₆ | 41 ² / ₁₆ | 19 ⁵ / ₁₆ | 27 ⁵ / ₁₆ |
| | mm | 1227 | 1045 | 506 | 710 |
| 50 | Inch | 55 | 41 ² / ₁₆ | 19 ⁵ / ₁₆ | 27 ⁵ / ₁₆ |
| | mm | 1381 | 1045 | 506 | 710 |
| 60 | Inch | 64 ¹³ / ₁₆ | 41 ² / ₁₆ | 19 ⁵ / ₁₆ | 27 ⁵ / ₁₆ |
| | mm | 1646 | 1045 | 506 | 710 |
| 70 | Inch | 74 ¹¹ / ₁₆ | 41 ² / ₁₆ | 19 ⁵ / ₁₆ | 27 ⁵ / ₁₆ |
| | mm | 1897 | 1045 | 506 | 710 |
| 80 | Inch | 87 ⁷ / ₁₆ | 41 ² / ₁₆ | 19 ⁵ / ₁₆ | 27 ⁵ / ₁₆ |
| | mm | 2221 | 1045 | 506 | 710 |
| 100 | Inch | 104 ³ / ₁₆ | 41 ² / ₁₆ | 19 ⁵ / ₁₆ | 27 ⁵ / ₁₆ |
| | mm | 2646 | 1045 | 506 | 710 |