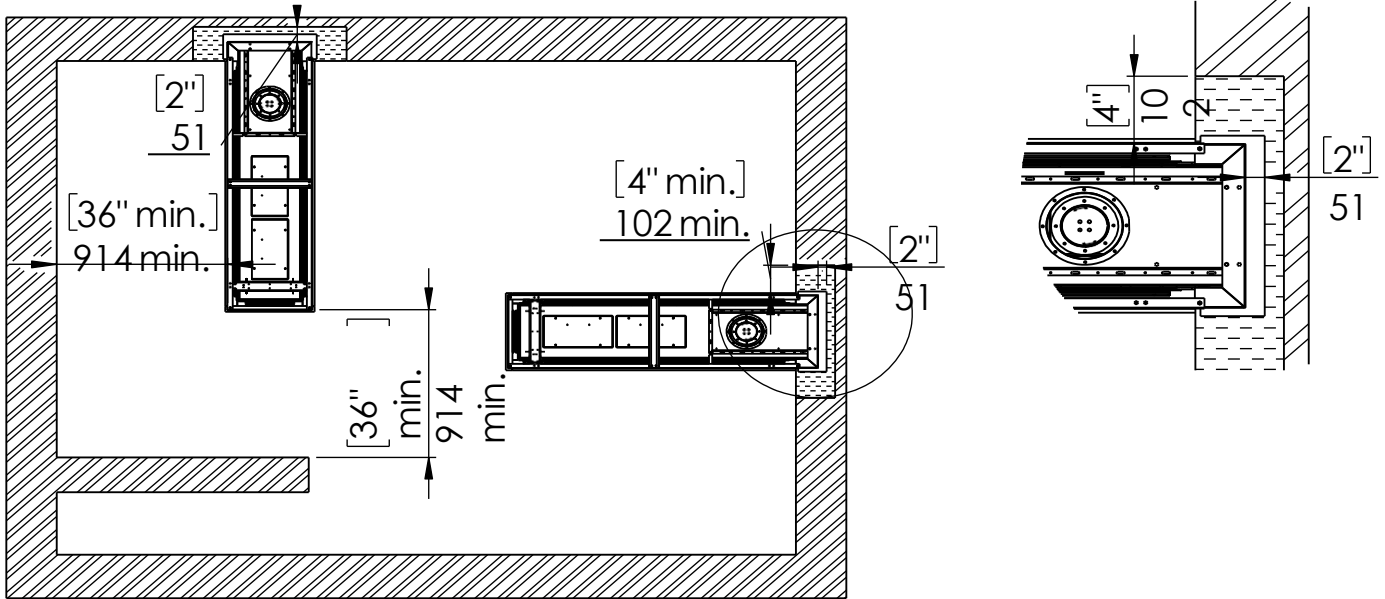


Clearances below are to non-combustible materials.

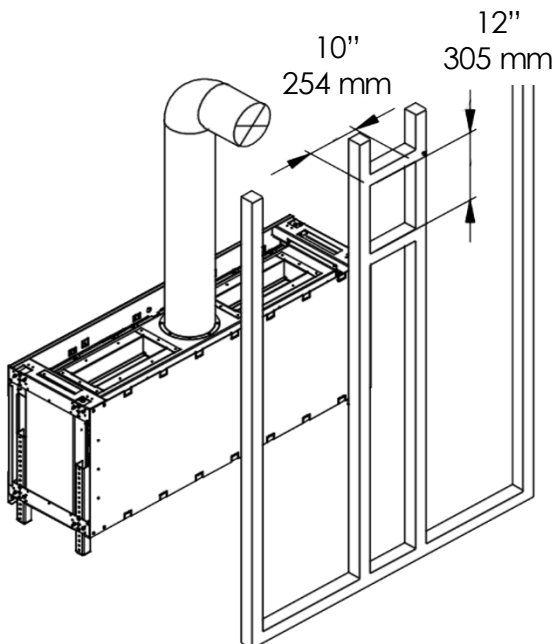


 Combustible Materials
 Non-Combustible Materials

Chimney Installation

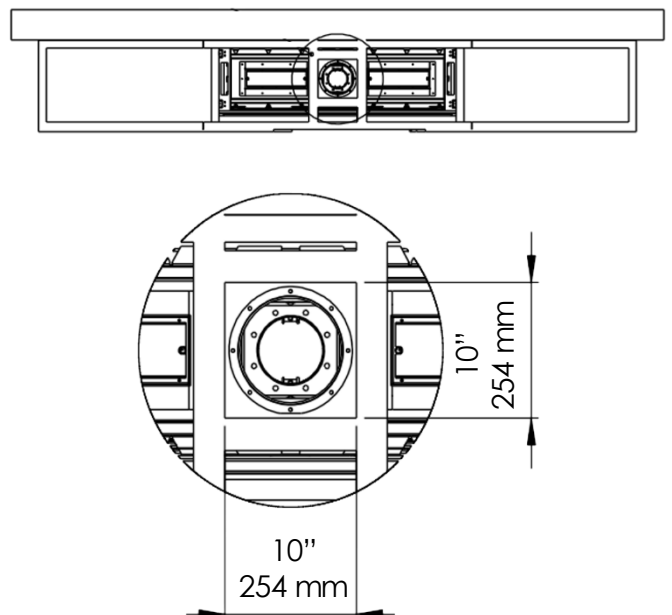
Horizontal Termination

For 5x8 vent pipe termination create a 10"x12" opening

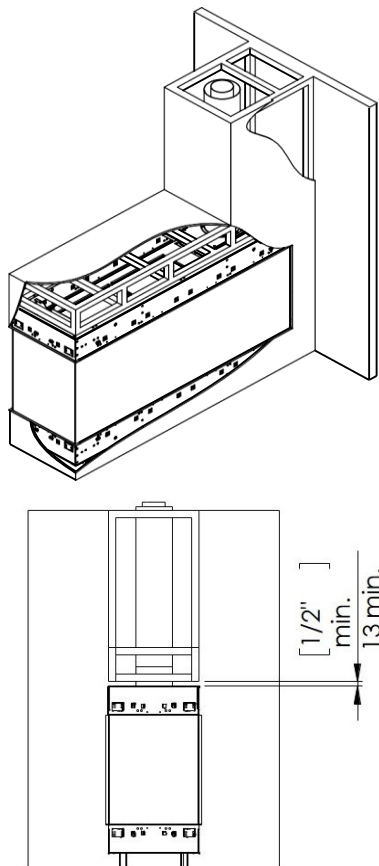


Vertical Termination

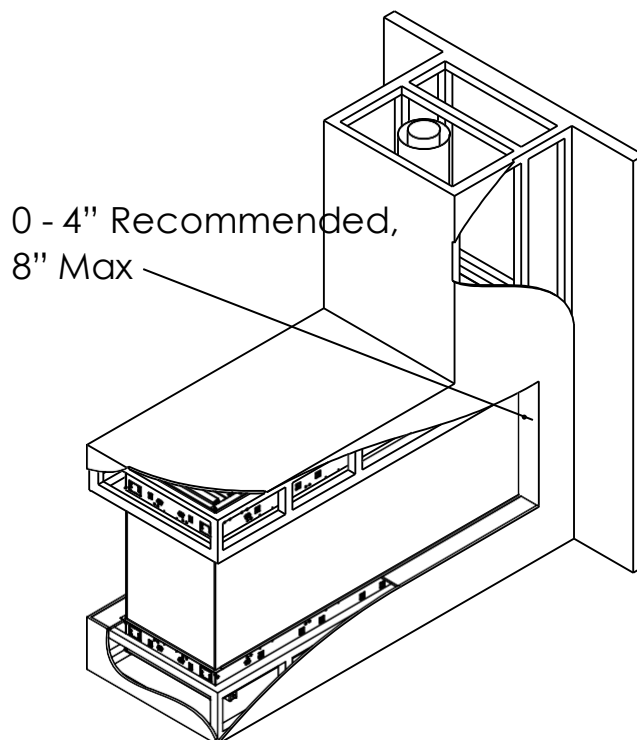
For 5x8 vent pipe termination create a 10"x10" opening



Flat Installation



Recessed Installation



Heat Release and Air Intake

Required Heat Release Open Air-Flow Minimum

80" and 100" Fireplaces - 200 square inches minimum.

60" and 70" Fireplaces - 140 square inches minimum.

30", 45", 50" Fireplaces - 100 square inches minimum.

Required Air Intake Open Air-Flow Minimum

80" and 100" Fireplaces - 100 square inches minimum.

60" and 70" Fireplaces - 70 square inches minimum.

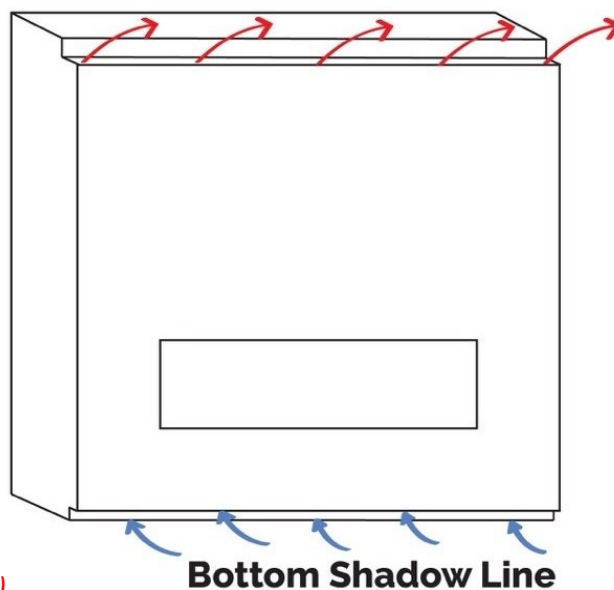
30", 45", 50" Fireplaces - 50 square inches minimum.

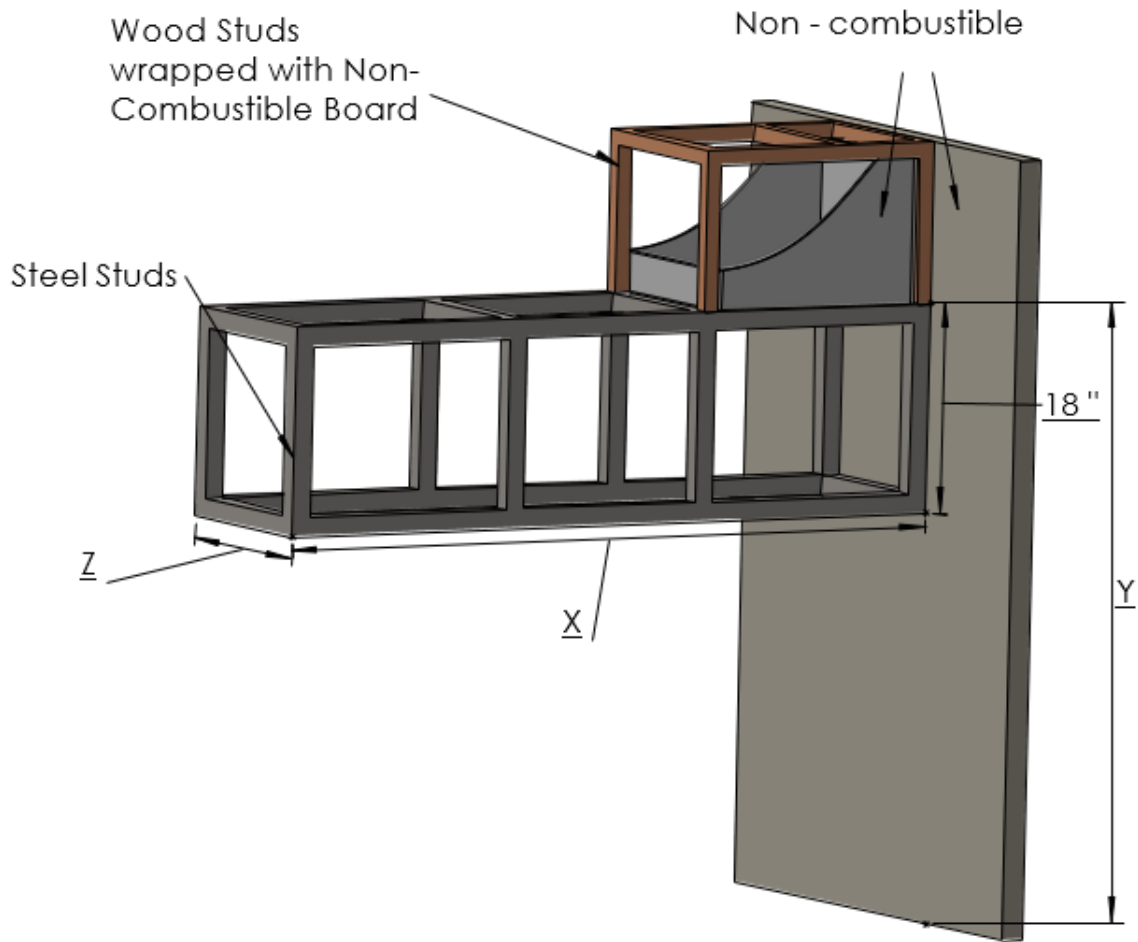
*(*Blower Kit and Cool Glass)*

*(**See Through and Room Definers Require the Intake to be Doubled and Balanced in Size and Positioning on Both Long Sides.)*

*(***Openings are measured for open air-flow)*

Top Shadow Line

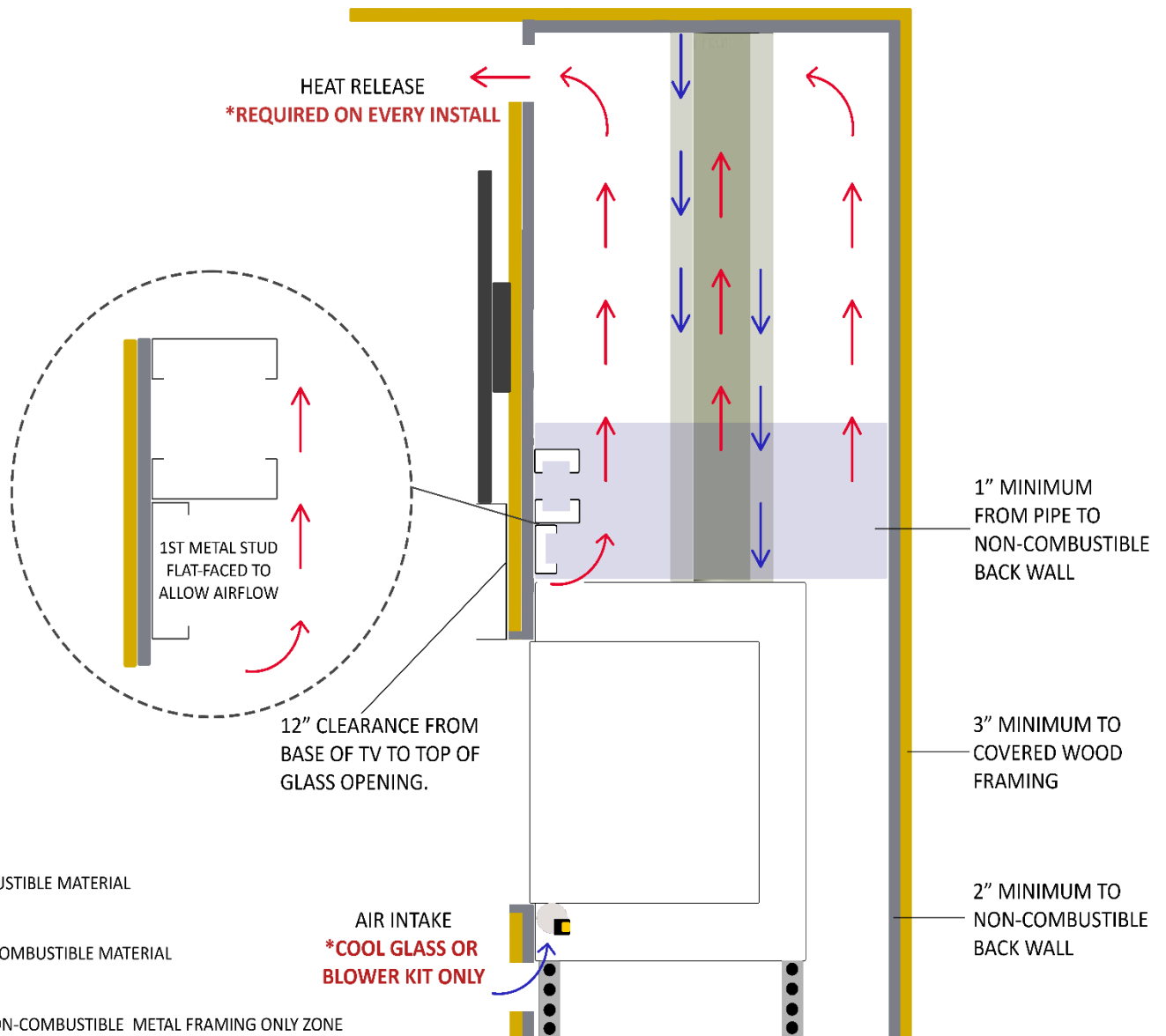




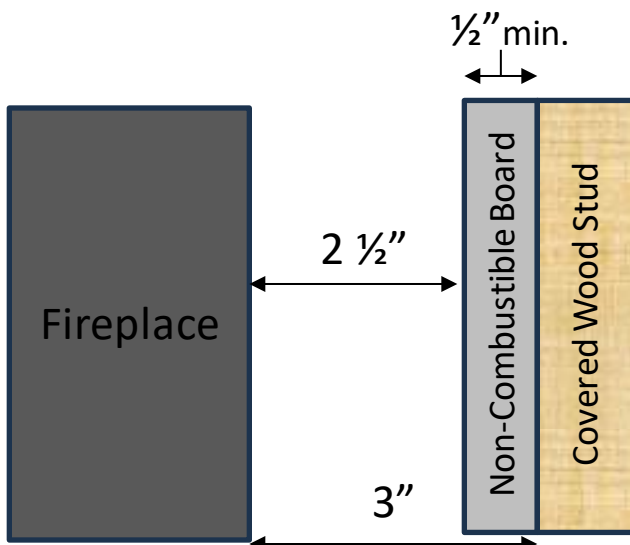
NOTE: Dimension “Y” assumes the fireplace legs are set to the default height of 4”, placing the glass opening at 10” above the floor. This “Y” dimension can change based on where your client wants their viewing window.

*All framing and finishing must be secured to your projects back wall, ceiling or floor and must never bear weight on the fireplace in any circumstance. For more information reference the [Installation Manual](#).

Model		X	Y	Z	
				Flat Installation	Recess Installation (4")
45	IN	49 5/16	59 2/16	19 15/16	27 15/16
	MM	1252	1501	506	709
50	IN	56	59 2/16	19 15/16	27 15/16
	MM	1422	1501	506	709
60	IN	65 13/16	59 2/16	19 15/16	27 15/16
	MM	1671	1501	506	709
70	IN	75 11/16	59 2/16	19 15/16	27 15/16
	MM	1922	1501	506	709
80	IN	88 4/16	59 2/16	19 15/16	27 15/16
	MM	2241	1501	506	709
100	IN	105 3/16	59 2/16	19 15/16	27 15/16
	MM	2671	1501	506	709



Wood Framing Clearances and Materials Example



*Any combustible material found within the fireplace cavity must be covered with a minimum 1/2" thick non-combustible board and maintain a 3" clearance to the sides and back of the fireplace.