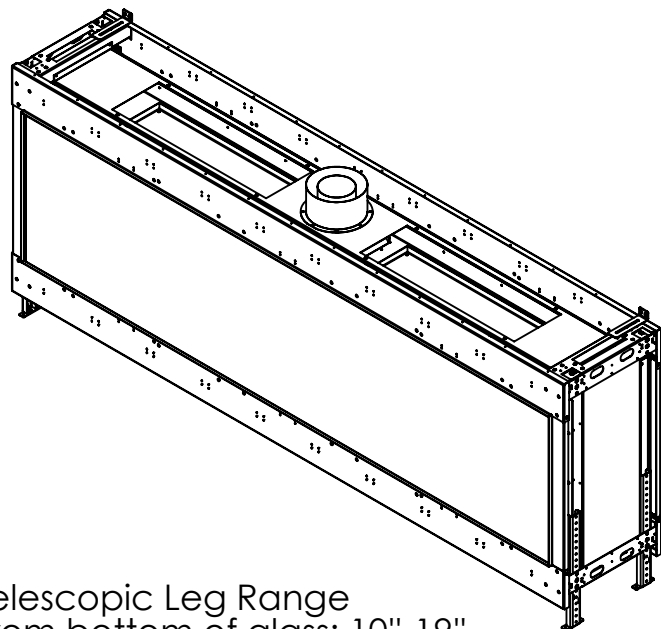
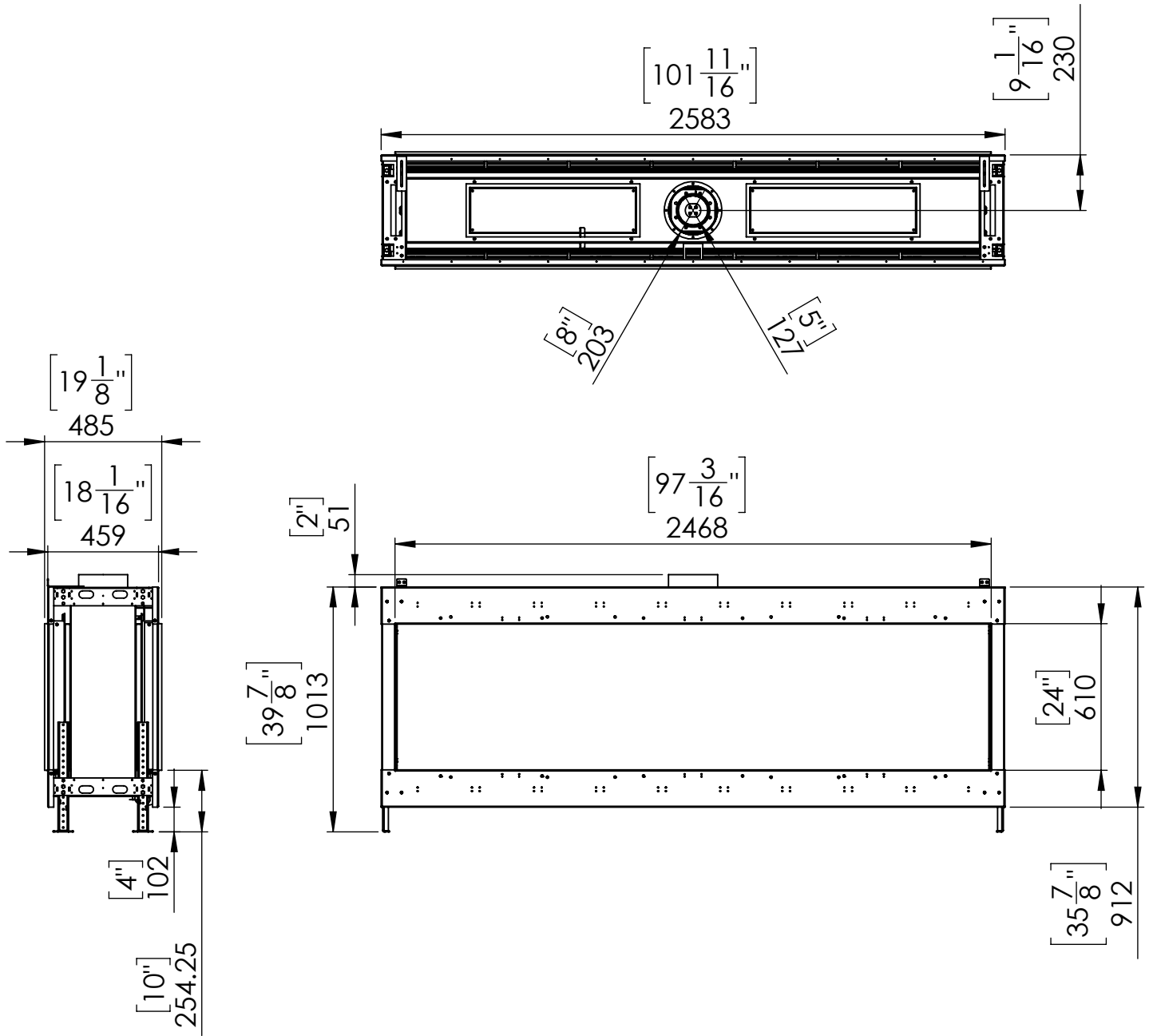




# Flare See Through 100H



Telescopic Leg Range  
From bottom of glass: 10"-19"