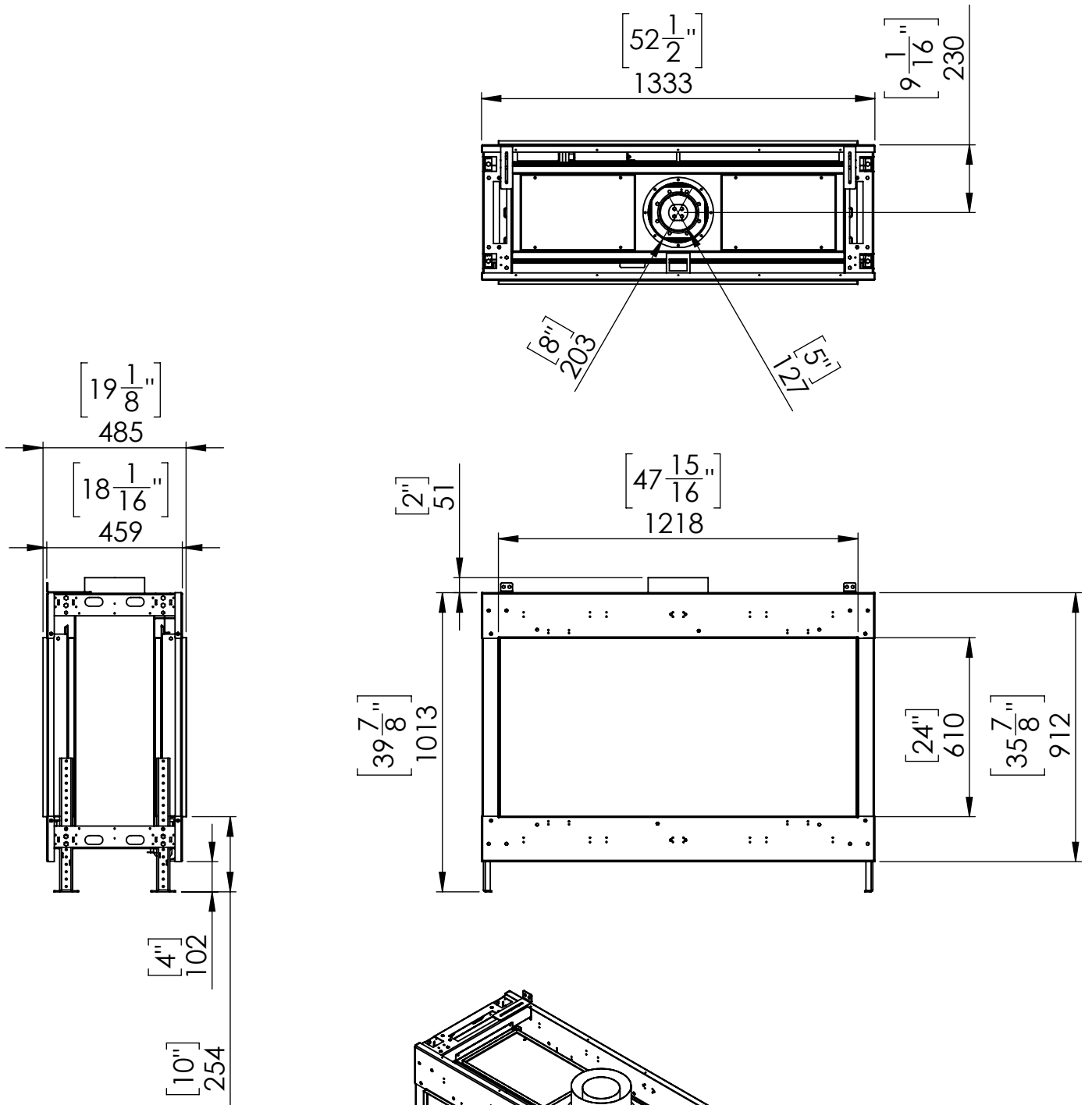




Flare See Through 50H



Telescopic Leg Range
From bottom of glass: 10"-19"