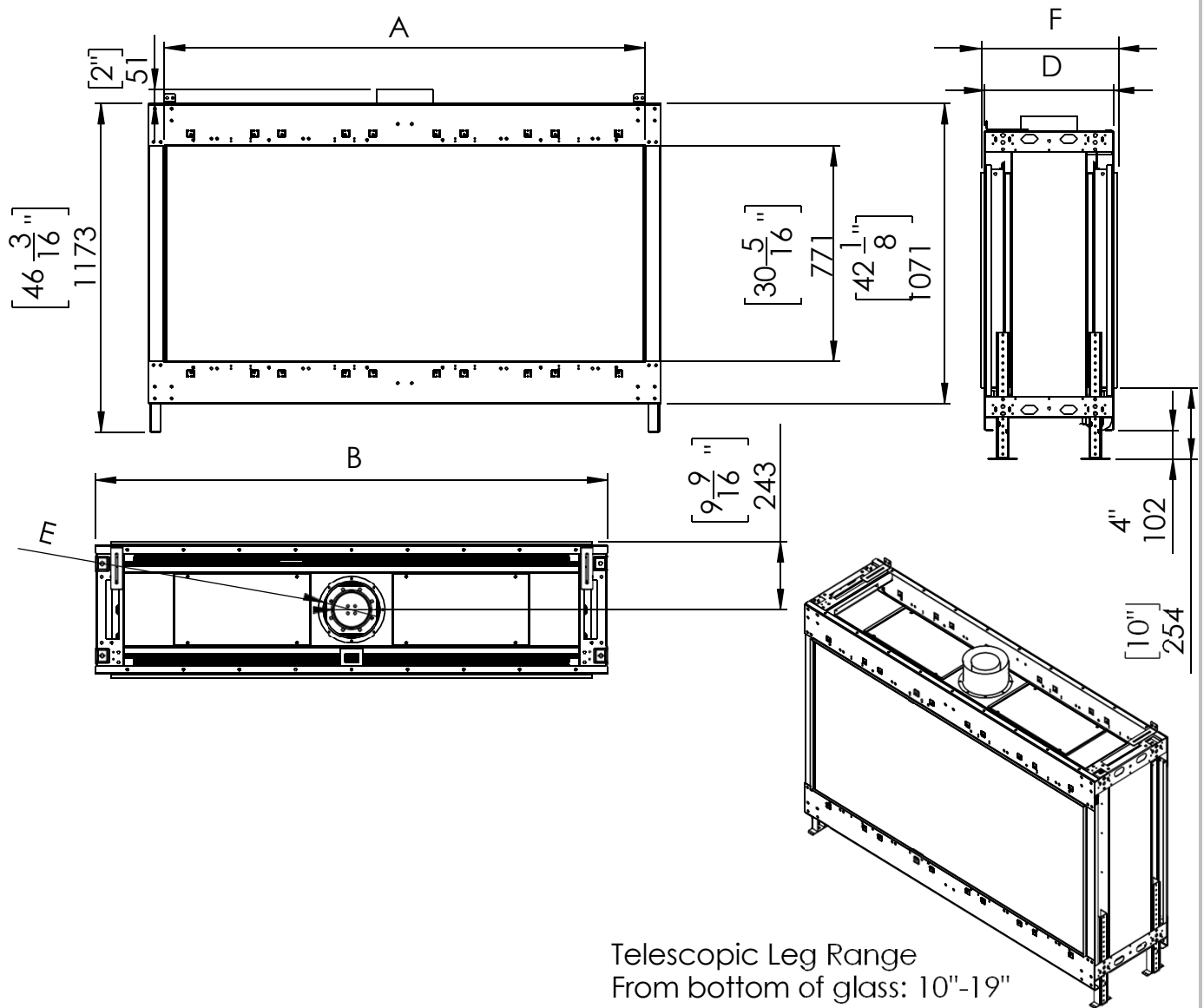
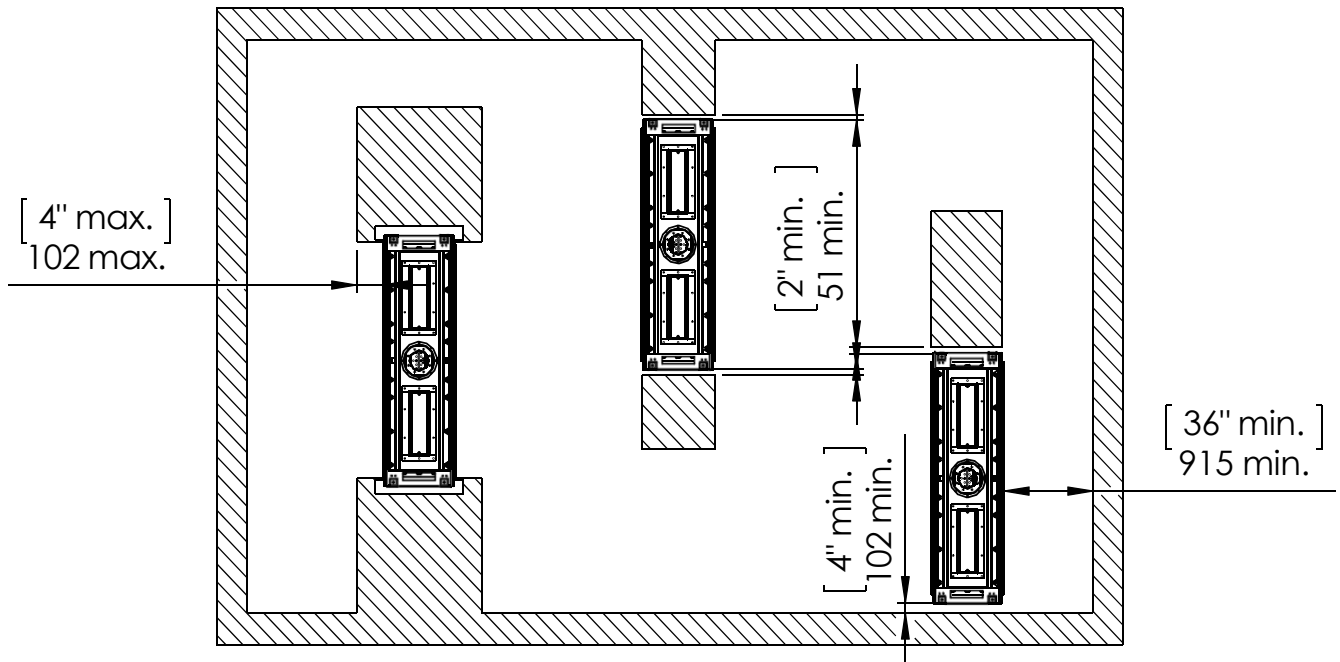


Fireplace Dimensions



Model	30	45	50	60	70	80	100
A- Inch	$32 \frac{13}{16}$	$45 \frac{13}{16}$	$52 \frac{8}{16}$	$62 \frac{5}{16}$	$72 \frac{3}{16}$	$84 \frac{12}{16}$	$101 \frac{11}{16}$
B- Inch	$28 \frac{4}{16}$	$41 \frac{4}{16}$	$47 \frac{15}{16}$	$57 \frac{13}{16}$	$67 \frac{10}{16}$	$80 \frac{4}{16}$	$97 \frac{3}{16}$
F- Inch	$19 \frac{2}{16}$	$19 \frac{2}{16}$	$19 \frac{2}{16}$	$19 \frac{2}{16}$	$19 \frac{2}{16}$	$19 \frac{2}{16}$	$19 \frac{2}{16}$
D- Inch	$18 \frac{1}{16}$	$18 \frac{1}{16}$	$18 \frac{1}{16}$	$18 \frac{1}{16}$	$18 \frac{1}{16}$	$18 \frac{1}{16}$	$18 \frac{1}{16}$
E- Inch	4x6	4x6	5x8	5x8	5x8	5x8	5x8

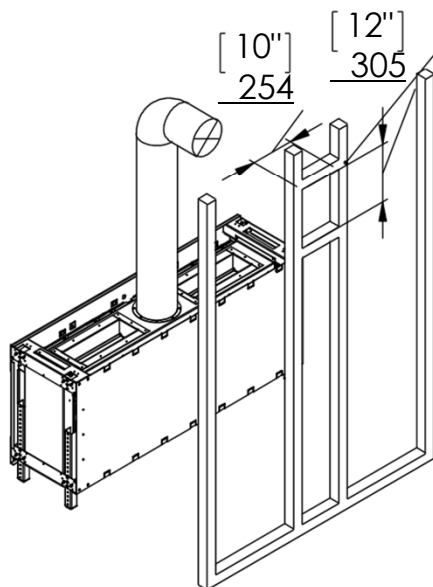
Clearances below are to non-combustible materials.



Chimney Installation

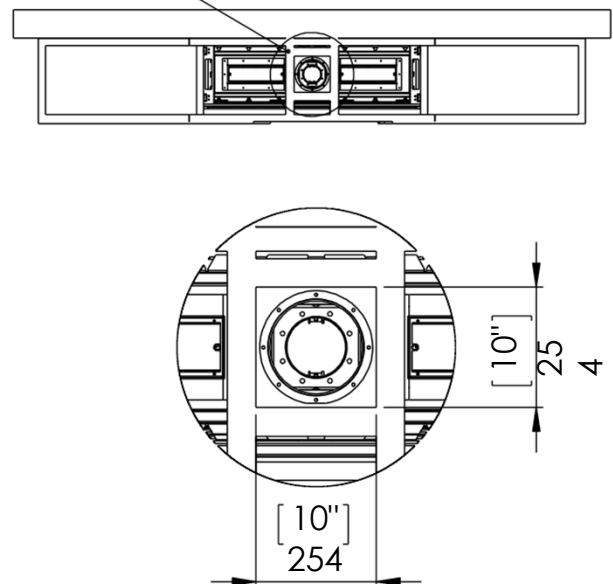
Horizontal Termination

For 5 x 8 vent size create 10" x 12" vent termination opening

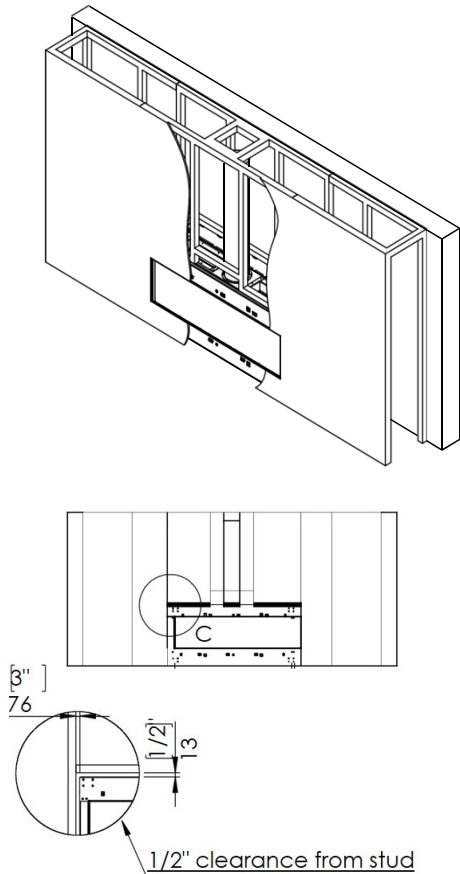


Vertical Termination

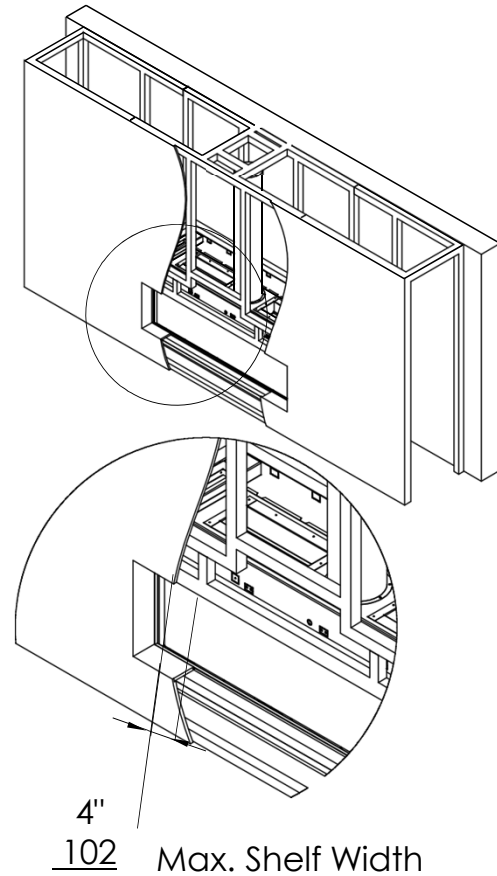
For 5 x 8 vent size create 10" x 10" vent termination opening



Flat Installation Example



L Shape Installation Example



Heat Release and Air Intakes

The following sizes MUST be maintained for the upper heat release:

For fireplaces sized **80" & 100"** – open vent area must be at least **200 square inches**.

For fireplaces sized **60" & 70"** – open vent area must be at least **140 square inches**.

For fireplace sized **50"** and below – open vent area must be at least **100 square inches**.

The following sizes MUST be maintained for the lower air intake:

For fireplaces sized **80" & 100"** – open vent area must be at least **100 square inches**.

For fireplaces sized **60" & 70"** – open vent area must be at least **70 square inches**.

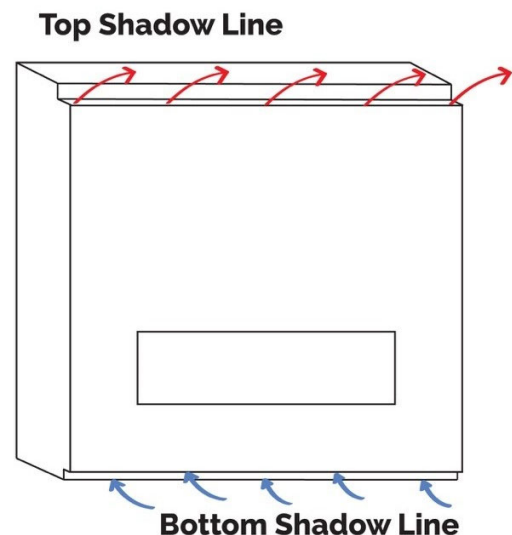
For fireplaces sized **50"** and below – open vent area must be at least **50 square inches**.

For See Through and Room Definer fireplaces, the air intake requirements are **double**.

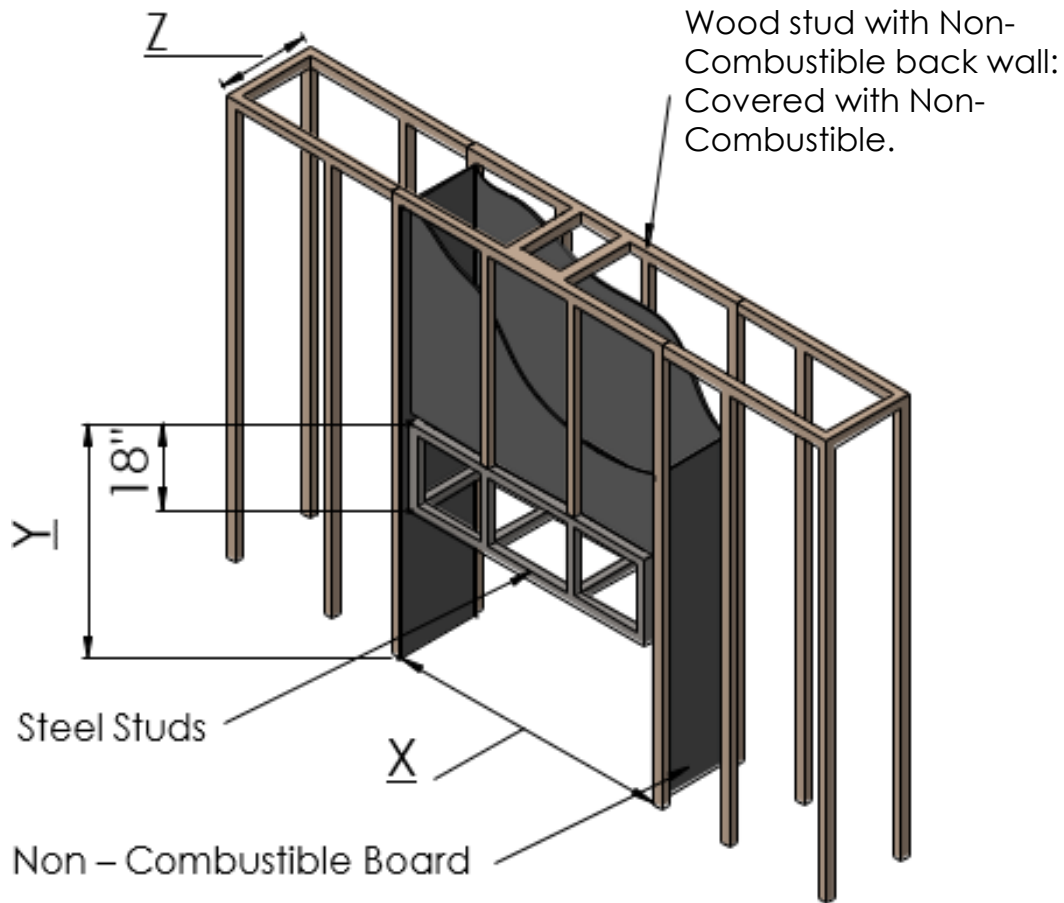
NOTE: Openings above for Heat Release and Air Intake are measured for open air space. BE SURE TO CALCULATE FOR RESTRICTIONS IN GRATING.

NOTE: On all See Through and Room Definer units the air intake must be doubled

Air Intakes required for Double Glass or Optional Blower kits ONLY.



Wood Framing Dimensions



NOTE: Dimension 'Y' uses legs at default lowest height 4" below the unit with glass beginning 10" above the floor. Increase leg height and Y dimension for higher viewing window.

		X	Y	Z	
				Flat Installation	Recess Installation (4" Max)
30	Inch	38 ¹³ / ₁₆	64 ¹⁰ / ₁₆	18 ¹ / ₁₆	26 ¹ / ₁₆
	mm	986	1641	459	662
45	Inch	51 ¹³ / ₁₆	64 ¹⁰ / ₁₆	18 ¹ / ₁₆	26 ¹ / ₁₆
	mm	1300	1641	459	662
50	Inch	58 ⁸ / ₁₆	64 ¹⁰ / ₁₆	18 ¹ / ₁₆	26 ¹ / ₁₆
	mm	1486	1641	459	662
60	Inch	68 ⁸ / ₁₆	64 ¹⁰ / ₁₆	18 ¹ / ₁₆	26 ¹ / ₁₆
	mm	1740	1641	459	662
70	Inch	78 ³ / ₁₆	64 ¹⁰ / ₁₆	18 ¹ / ₁₆	26 ¹ / ₁₆
	mm	1986	1641	459	662
80	Inch	90 ² / ₁₆	64 ¹⁰ / ₁₆	18 ¹ / ₁₆	26 ¹ / ₁₆
	mm	2305	1641	459	662
100	Inch	107 ¹¹ / ₁₆	64 ¹⁰ / ₁₆	18 ¹ / ₁₆	26 ¹ / ₁₆
	mm	2735	1641	459	662