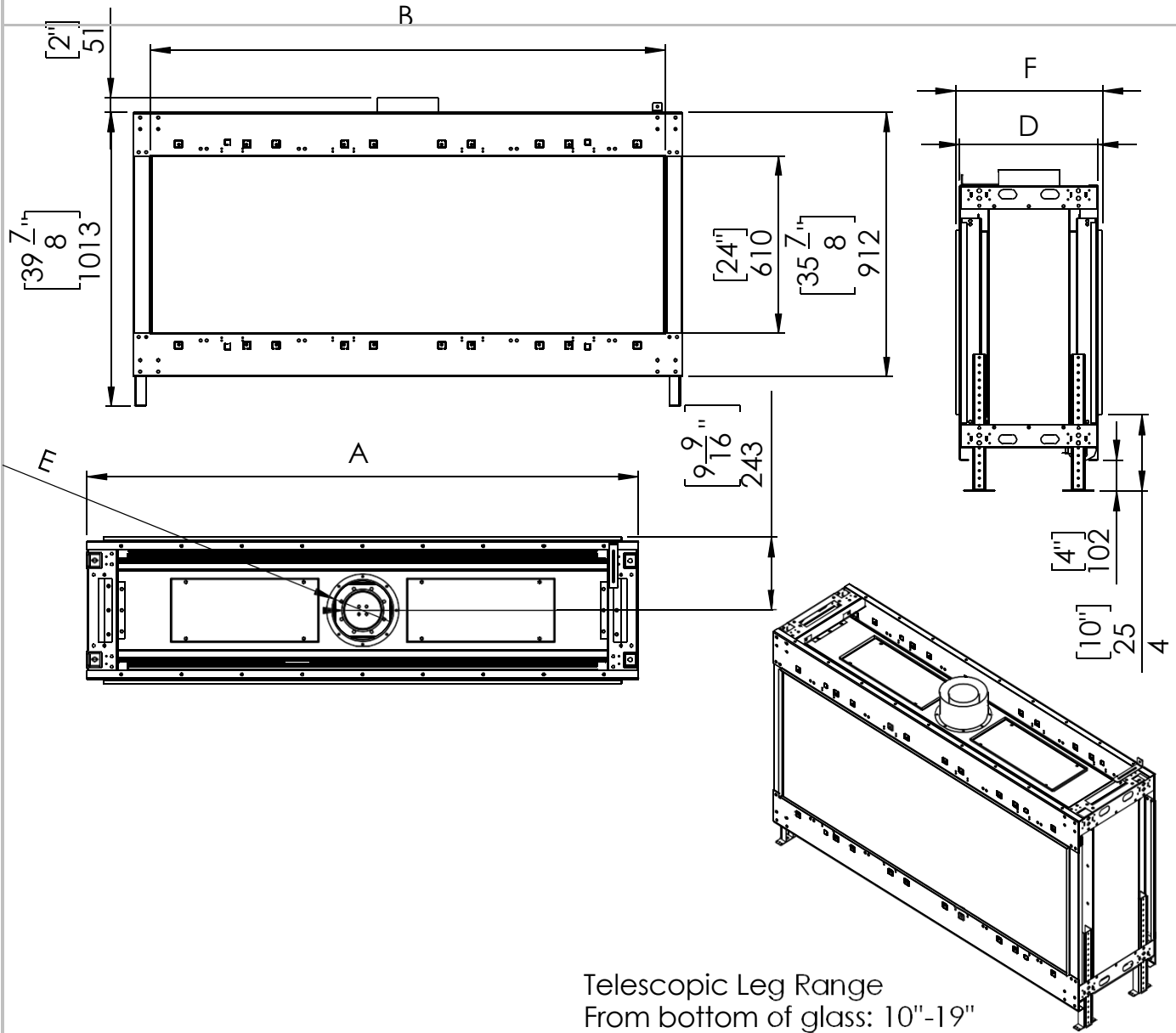
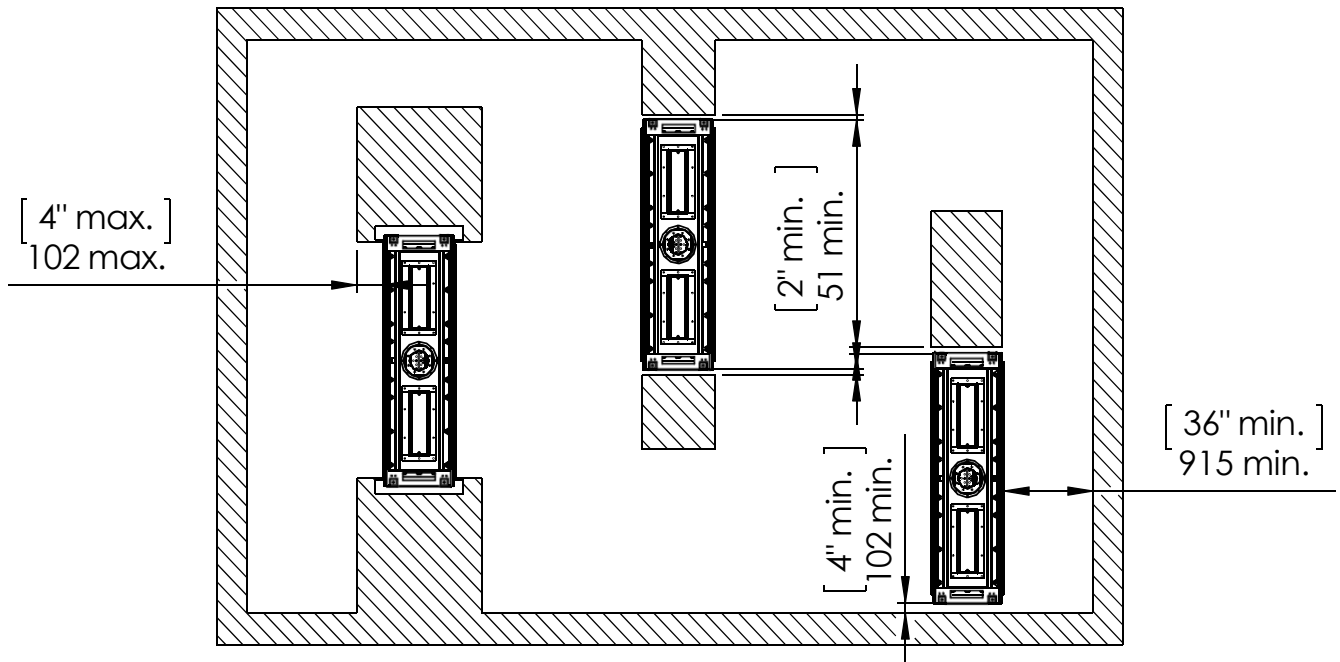


## Fireplace Dimensions



Model	30	45	50	60	70	80	100
A- Inch	32 <sup>13</sup> / <sub>16</sub>	45 <sup>13</sup> / <sub>16</sub>	52 <sup>8</sup> / <sub>16</sub>	62 <sup>5</sup> / <sub>16</sub>	72 <sup>3</sup> / <sub>16</sub>	84 <sup>12</sup> / <sub>16</sub>	101 <sup>11</sup> / <sub>16</sub>
B- Inch	28 <sup>4</sup> / <sub>16</sub>	41 <sup>4</sup> / <sub>16</sub>	47 <sup>15</sup> / <sub>16</sub>	57 <sup>13</sup> / <sub>16</sub>	67 <sup>10</sup> / <sub>16</sub>	80 <sup>4</sup> / <sub>16</sub>	97 <sup>3</sup> / <sub>16</sub>
F- Inch	19 <sup>2</sup> / <sub>16</sub>	19 <sup>2</sup> / <sub>16</sub>	19 <sup>2</sup> / <sub>16</sub>	19 <sup>2</sup> / <sub>16</sub>	19 <sup>2</sup> / <sub>16</sub>	19 <sup>2</sup> / <sub>16</sub>	19 <sup>2</sup> / <sub>16</sub>
D- Inch	18 <sup>1</sup> / <sub>16</sub>	18 <sup>1</sup> / <sub>16</sub>	18 <sup>1</sup> / <sub>16</sub>	18 <sup>1</sup> / <sub>16</sub>	18 <sup>1</sup> / <sub>16</sub>	18 <sup>1</sup> / <sub>16</sub>	18 <sup>1</sup> / <sub>16</sub>
E- Inch	4x6	4x6	5x8	5x8	5x8	5x8	5x8

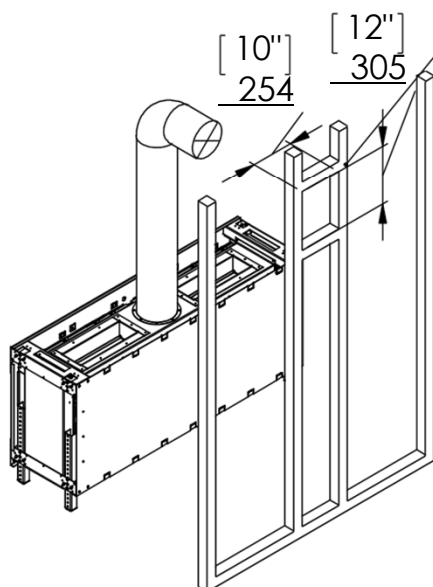
Clearances below are to non-combustible materials.



## Chimney Installation

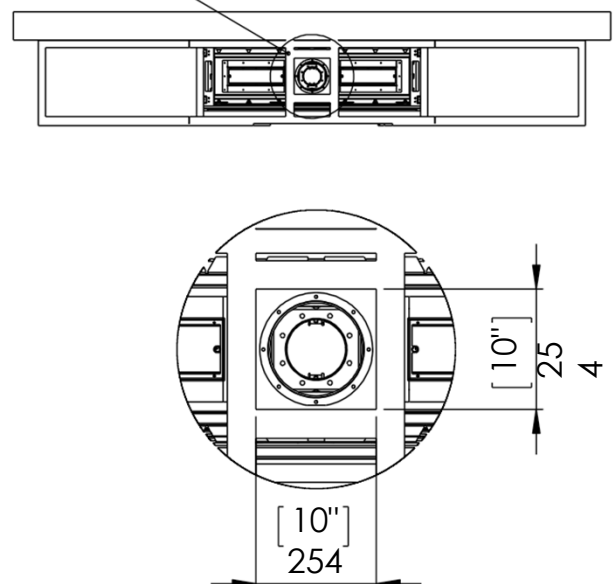
### Horizontal Termination

For 5 x 8 vent size create 10" x 12" vent termination opening

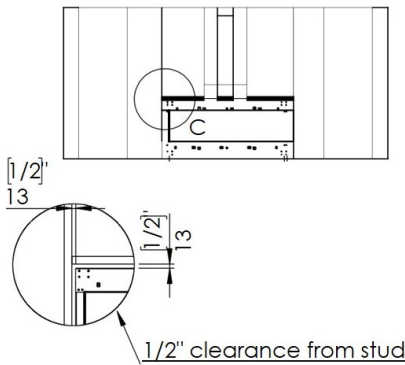
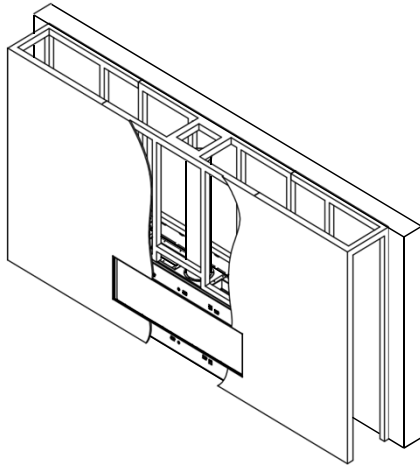


### Vertical Termination

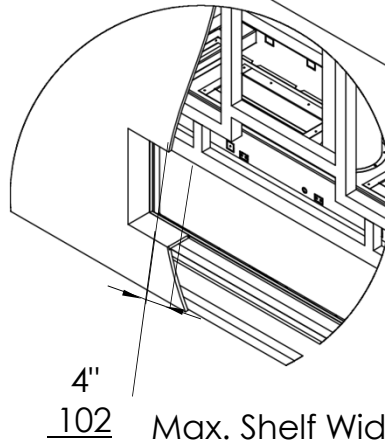
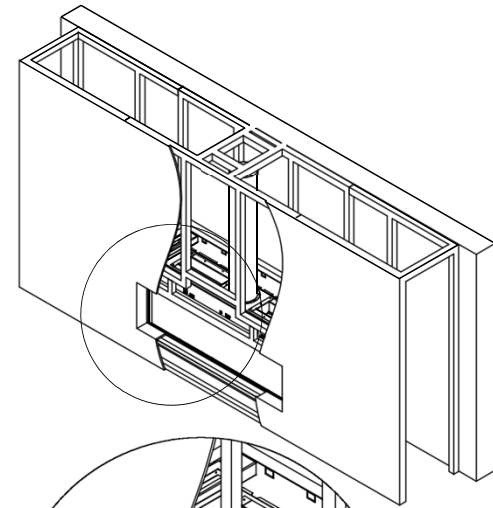
For 5 x 8 vent size create 10" x 10" vent termination opening



## Flat Installation Example



## L Shape Installation Example



## Heat Release and Air Intakes

### The following sizes MUST be maintained for the upper heat release:

For fireplaces sized **80" & 100"** – open vent area must be at least **200 square inches**.

For fireplaces sized **60" & 70"** – open vent area must be at least **140 square inches**.

For fireplace sized **50"** and below – open vent area must be at least **100 square inches**.

### The following sizes MUST be maintained for the lower air intake:

For fireplaces sized **80" & 100"** – open vent area must be at least **100 square inches**.

For fireplaces sized **60" & 70"** – open vent area must be at least **70 square inches**.

For fireplaces sized **50"** and below – open vent area must be at least **50 square inches**.

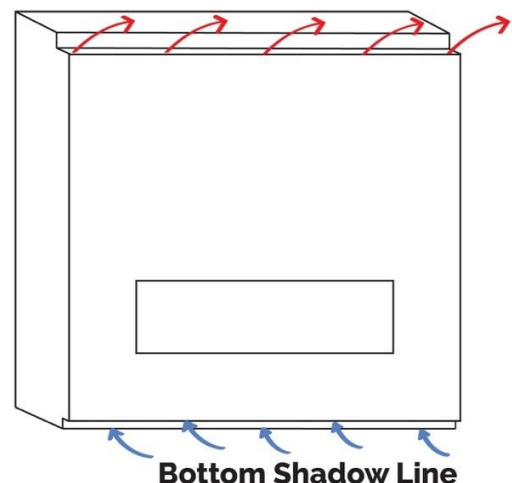
For See Through and Room Definer fireplaces, the air intake requirements are **double**.

**NOTE: Openings above for Heat Release and Air Intake are measured for open air space. BE SURE TO CALCULATE FOR RESTRICTIONS IN GRATING.**

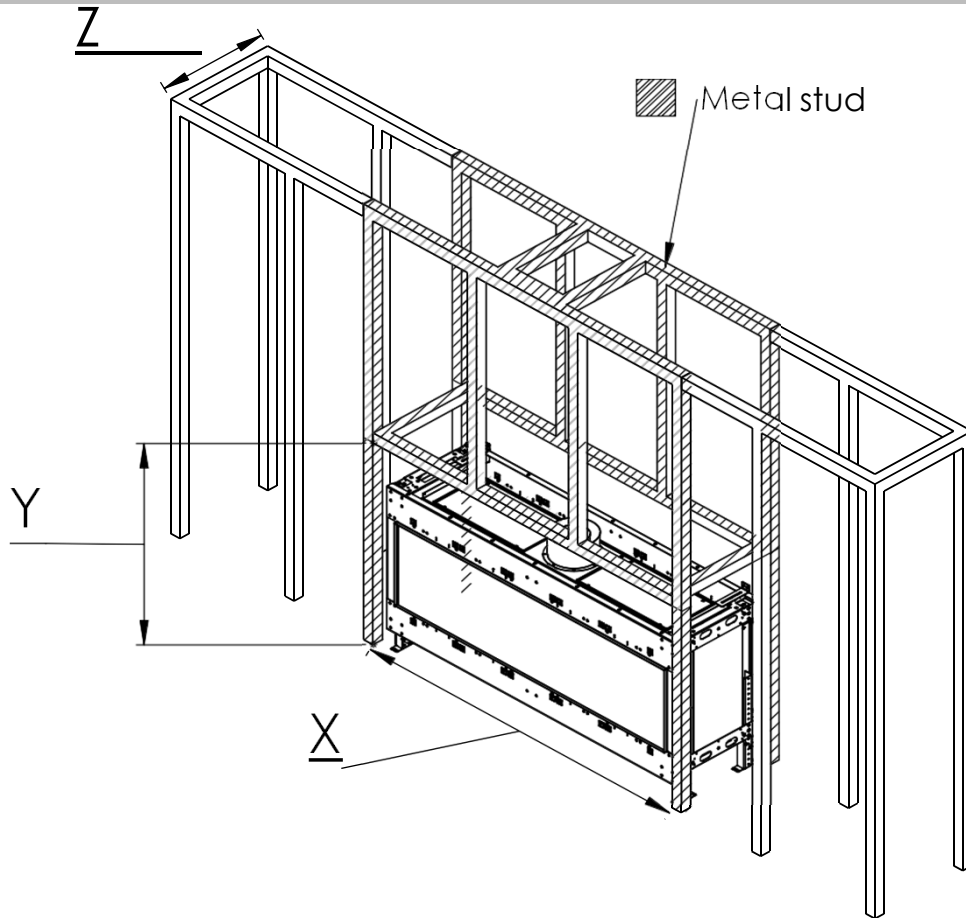
**NOTE: On all See Through and Room Definer units the air intake must be doubled**

Air Intakes required for Double Glass or Optional Blower kits ONLY.

### Top Shadow Line



# Metal Framing Dimensions



**NOTE:** Dimension 'Y' uses legs at default lowest height 4" below the unit with glass beginning 10" above the floor. Increase leg height and Y dimension for higher viewing window.

		X	Y	Z	
				Flat Installation	Recess Installation ( 4" Max)
30	Inch	33 <sup>13</sup> / <sub>16</sub>	40 <sup>6</sup> / <sub>16</sub>	18 <sup>1</sup> / <sub>16</sub>	26 <sup>1</sup> / <sub>16</sub>
	mm	859	1026	459	662
45	Inch	46 <sup>13</sup> / <sub>16</sub>	40 <sup>6</sup> / <sub>16</sub>	18 <sup>1</sup> / <sub>16</sub>	26 <sup>1</sup> / <sub>16</sub>
	mm	1175	1026	459	662
50	Inch	53 <sup>8</sup> / <sub>16</sub>	40 <sup>6</sup> / <sub>16</sub>	18 <sup>1</sup> / <sub>16</sub>	26 <sup>1</sup> / <sub>16</sub>
	mm	1359	1026	459	662
60	Inch	63 <sup>5</sup> / <sub>16</sub>	40 <sup>6</sup> / <sub>16</sub>	18 <sup>1</sup> / <sub>16</sub>	26 <sup>1</sup> / <sub>16</sub>
	mm	1608	1026	459	662
70	Inch	73 <sup>3</sup> / <sub>16</sub>	40 <sup>6</sup> / <sub>16</sub>	18 <sup>1</sup> / <sub>16</sub>	26 <sup>1</sup> / <sub>16</sub>
	mm	1859	1026	459	662
80	Inch	85 <sup>12</sup> / <sub>16</sub>	40 <sup>6</sup> / <sub>16</sub>	18 <sup>1</sup> / <sub>16</sub>	26 <sup>1</sup> / <sub>16</sub>
	mm	2178	1026	459	662
100	Inch	102 <sup>11</sup> / <sub>16</sub>	40 <sup>6</sup> / <sub>16</sub>	18 <sup>1</sup> / <sub>16</sub>	26 <sup>1</sup> / <sub>16</sub>
	mm	2608	1026	459	662