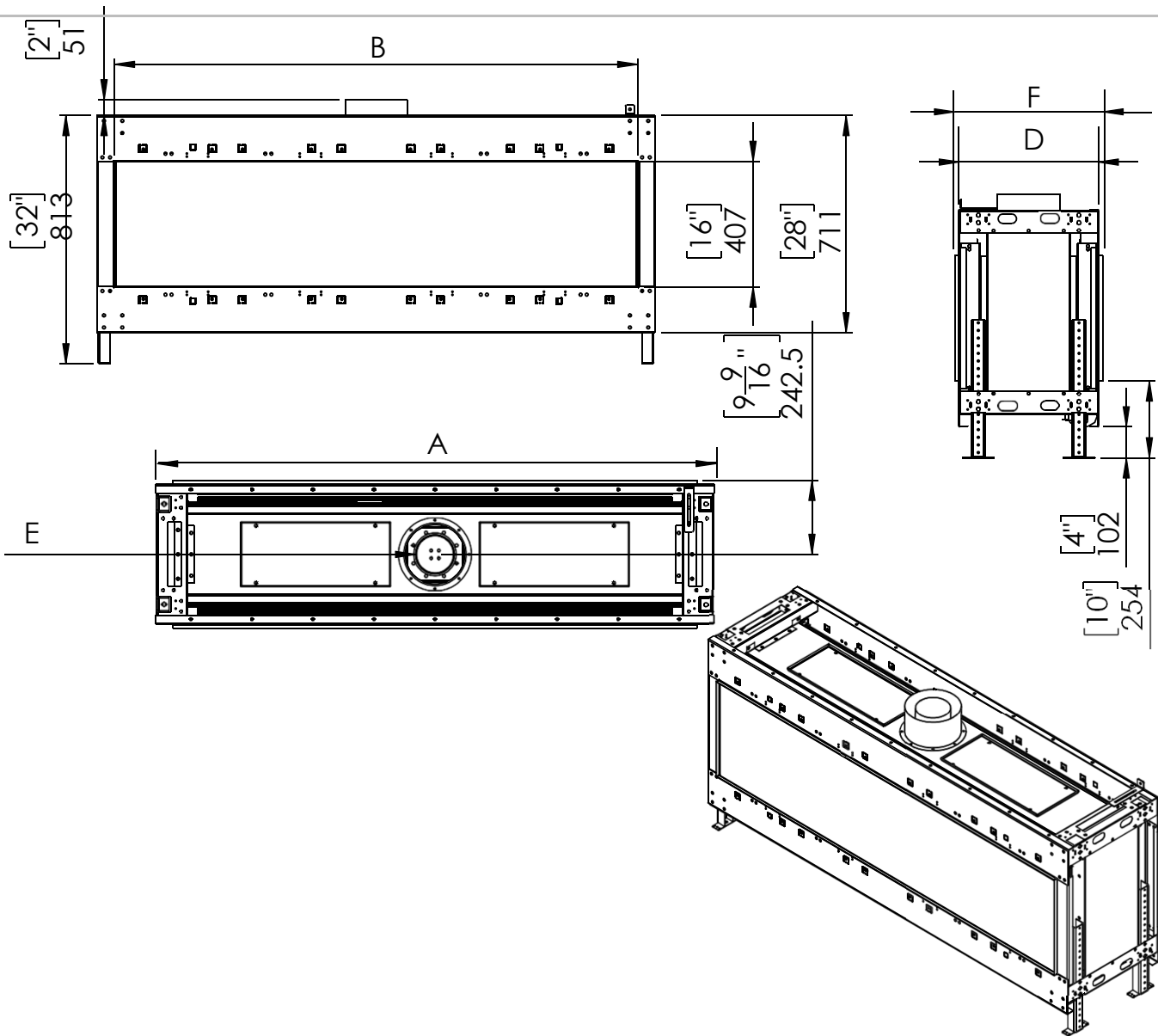
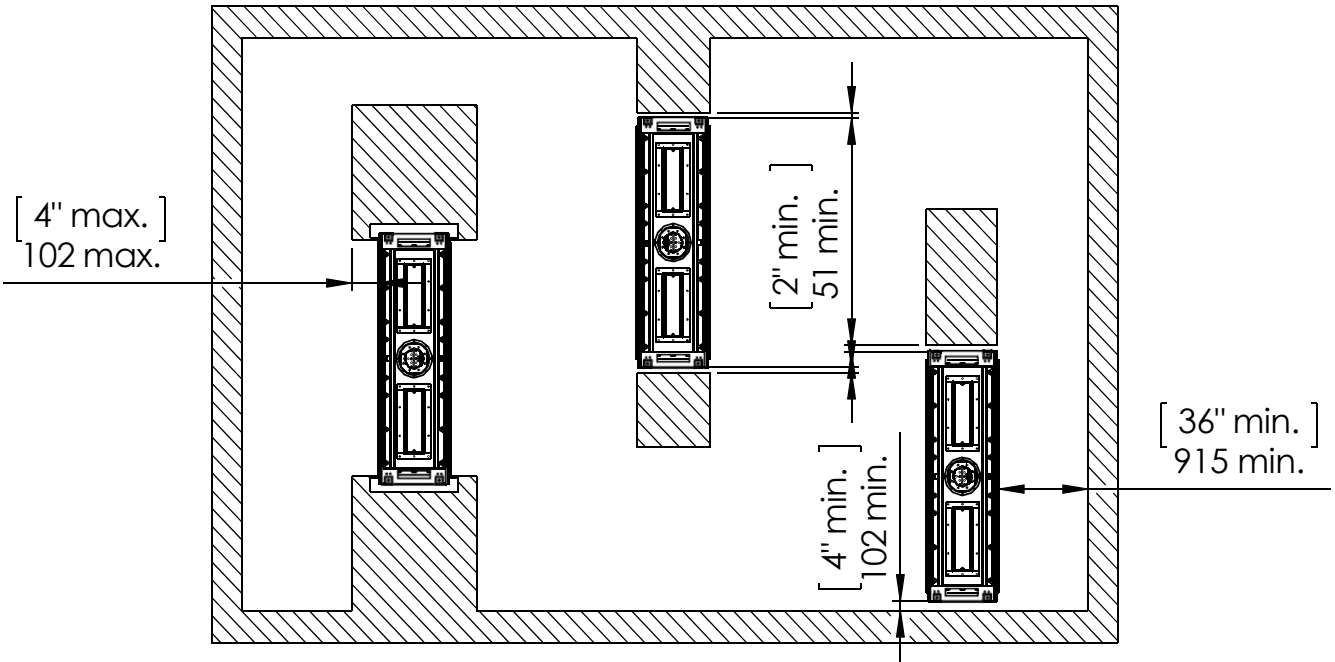


Fireplace Dimensions



Model	45	50	60	70	80	100
A- Inch	45 ¹³ / ₁₆	52 ⁸ / ₁₆	62 ⁵ / ₁₆	72 ³ / ₁₆	84 ¹² / ₁₆	101 ¹¹ / ₁₆
B- Inch	41 ⁴ / ₁₆	47 ¹⁵ / ₁₆	57 ¹³ / ₁₆	67 ¹⁰ / ₁₆	80 ⁴ / ₁₆	97 ³ / ₁₆
F- Inch	19 ² / ₁₆	19 ² / ₁₆	19 ² / ₁₆	19 ² / ₁₆	19 ² / ₁₆	19 ² / ₁₆
D- Inch	18 ¹ / ₁₆	18 ¹ / ₁₆	18 ¹ / ₁₆	18 ¹ / ₁₆	18 ¹ / ₁₆	18 ¹ / ₁₆
E- Inch	4x6	5x8	5x8	5x8	5x8	5x8

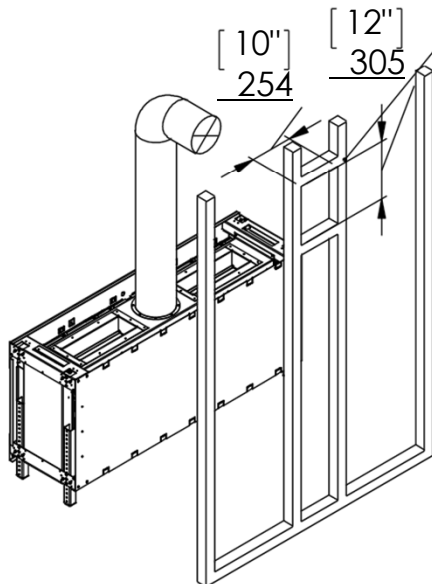
Clearances below are to non-combustible materials.



Chimney Installation

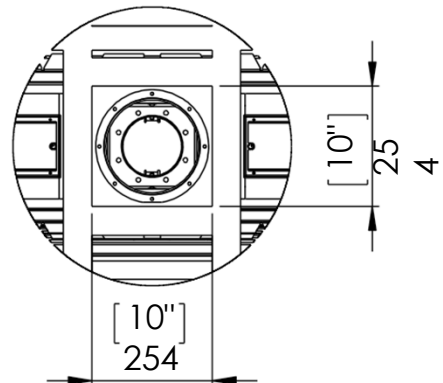
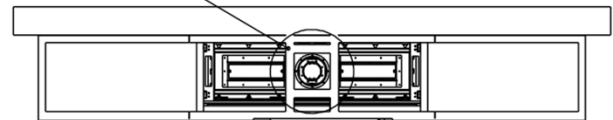
Horizontal Termination

For 5 x 8 vent size create 10" x 12" vent termination opening

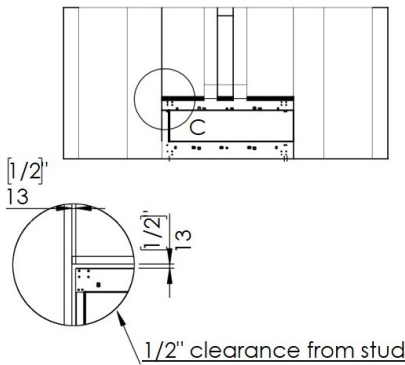
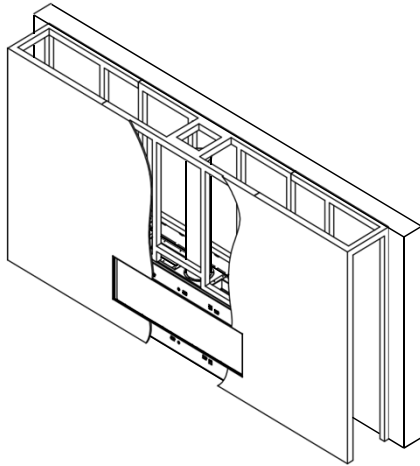


Vertical Termination

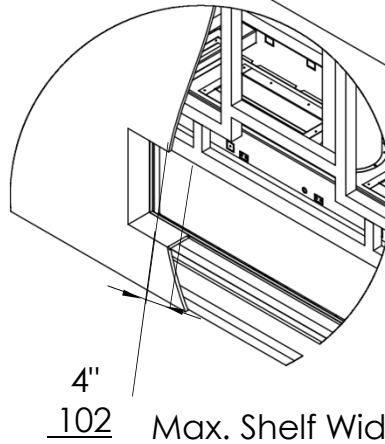
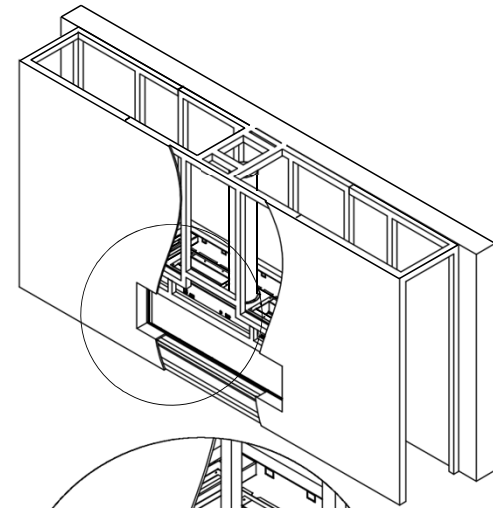
For 5 x 8 vent size create 10" x 10" vent termination opening



Flat Installation Example



L Shape Installation Example



Heat Release and Air Intakes

The following sizes MUST be maintained for the upper heat release:

For fireplaces sized **80" & 100"** – open vent area must be at least **200 square inches**.

For fireplaces sized **60" & 70"** – open vent area must be at least **140 square inches**.

For fireplace sized **50"** and below – open vent area must be at least **100 square inches**.

The following sizes MUST be maintained for the lower air intake:

For fireplaces sized **80" & 100"** – open vent area must be at least **100 square inches**.

For fireplaces sized **60" & 70"** – open vent area must be at least **70 square inches**.

For fireplaces sized **50"** and below – open vent area must be at least **50 square inches**.

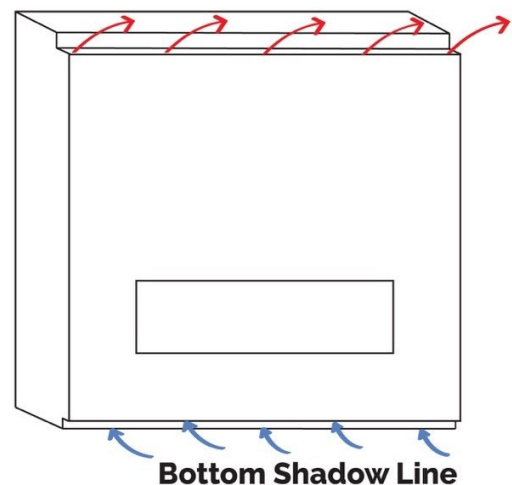
For See Through and Room Definer fireplaces, the air intake requirements are **double**.

NOTE: Openings above for Heat Release and Air Intake are measured for open air space. BE SURE TO CALCULATE FOR RESTRICTIONS IN GRATING.

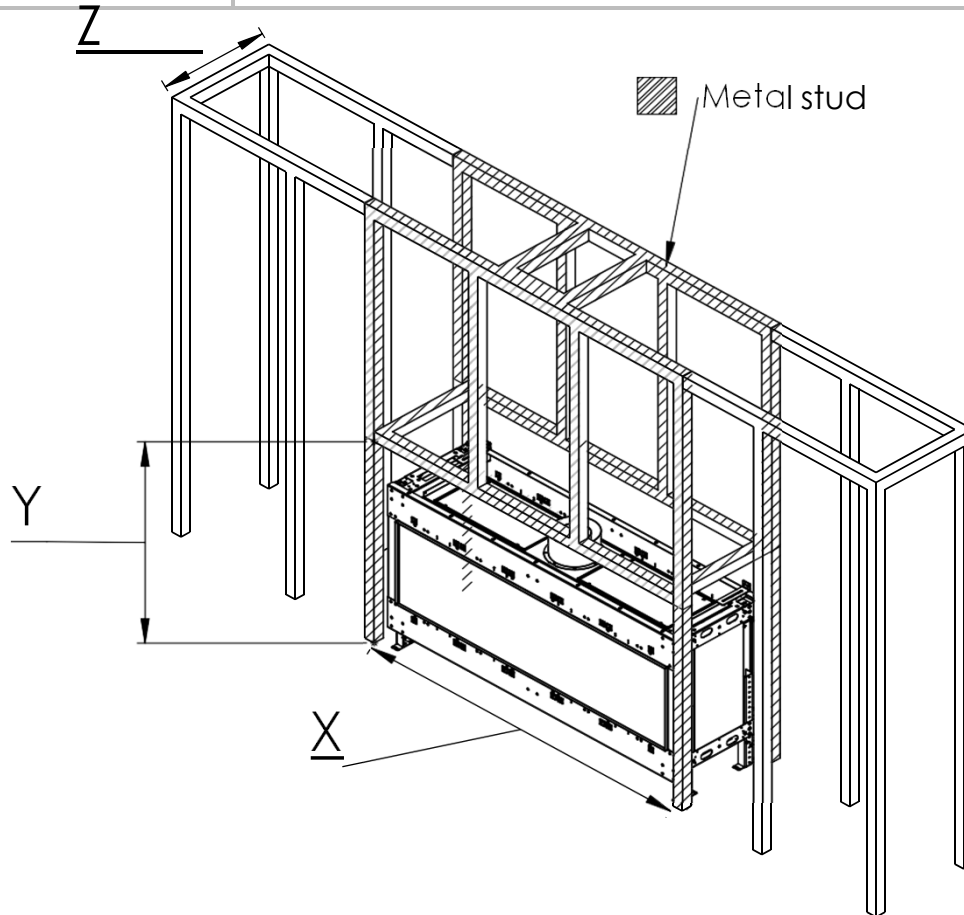
NOTE: On all See Through and Room Definer units the air intake must be doubled

Air Intakes required for Double Glass or Optional Blower kits ONLY.

Top Shadow Line



Flare See Through Metal Frame



NOTE: Dimension 'Y' uses legs at default lowest height 4" below the unit with glass beginning 10" above the floor. Increase leg height and Y dimension for higher viewing window.

		X	Y	Z	
				Flat Installation	Recess Installation (4" Max)
45	Inch	46 ¹³ / ₁₆	32 ⁸ / ₁₆	18 ¹ / ₁₆	26 ¹ / ₁₆
	mm	1175	826	459	662
50	Inch	53 ⁸ / ₁₆	32 ⁸ / ₁₆	18 ¹ / ₁₆	26 ¹ / ₁₆
	mm	1359	826	459	662
60	Inch	63 ⁵ / ₁₆	32 ⁸ / ₁₆	18 ¹ / ₁₆	26 ¹ / ₁₆
	mm	1608	826	459	662
70	Inch	73 ³ / ₁₆	32 ⁸ / ₁₆	18 ¹ / ₁₆	26 ¹ / ₁₆
	mm	1859	826	459	662
80	Inch	85 ¹² / ₁₆	32 ⁸ / ₁₆	18 ¹ / ₁₆	26 ¹ / ₁₆
	mm	2178	826	459	662
100	Inch	102 ¹¹ / ₁₆	32 ⁸ / ₁₆	18 ¹ / ₁₆	26 ¹ / ₁₆
	mm	2608	826	459	662