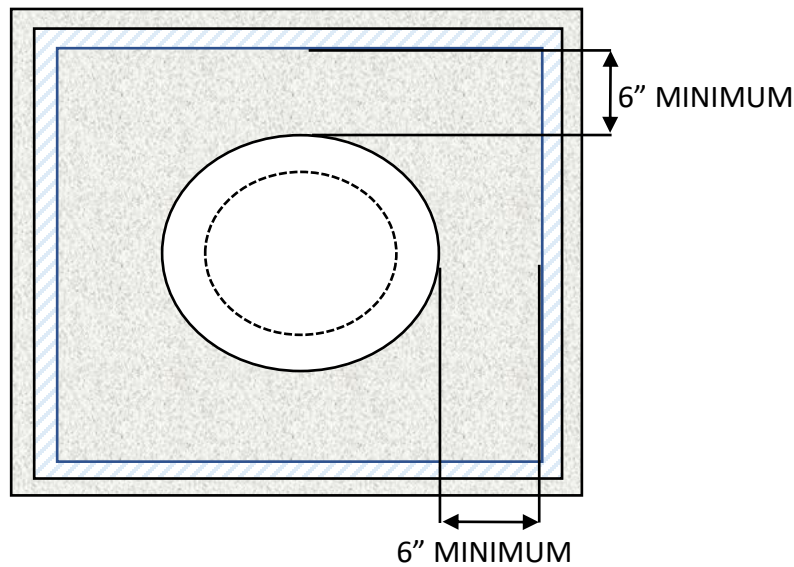


DESIGN OPTION ONE – Open Top Shroud

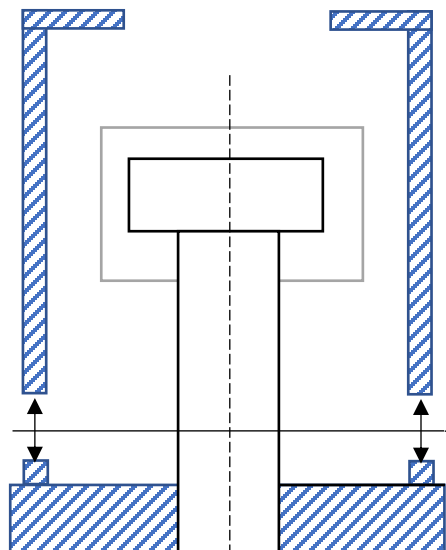
For any custom chimney shroud keep a minimum of 6" clearance around the vent termination cap to all non-combustible materials. Maintain a minimum 100 SQ" of open-air flow around base of shroud by maintaining a minimum opening on each side of 50 SQ".

DESIGN OPTION TWO – Enclosed Top Shroud

For any custom chimney shroud keep a minimum of 6" clearance around the vent termination cap to all non-combustible materials. Maintain a minimum 100 SQ" of open-air flow around base of shroud by maintaining a minimum opening on each side of 50 SQ". Maintain a minimum 14" clearance from the top of the termination to the bottom of the shroud. Because the top is enclosed, you'll also need to have larger openings to the left and right of the termination cap that maintain a minimum of 18" on each side.

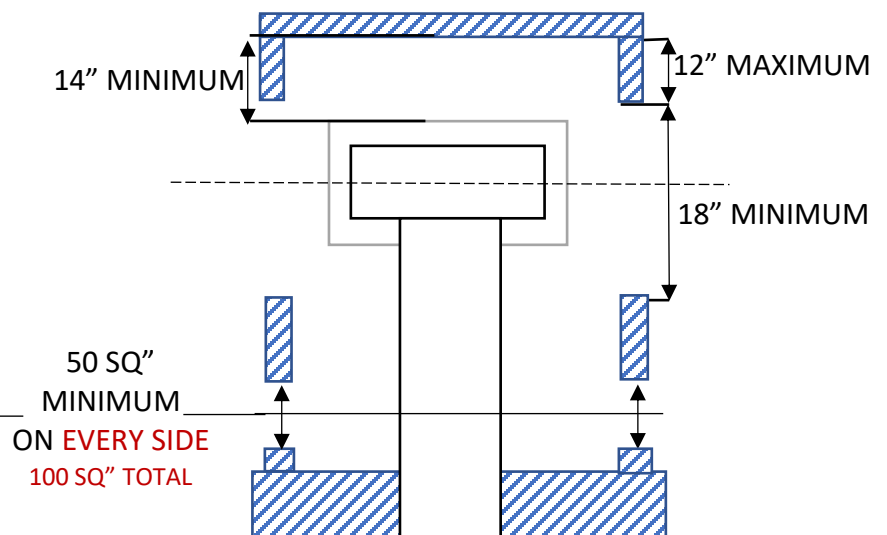


DESIGN OPTION 1



CHIMNEY SHROUD WITH OPEN TOP

DESIGN OPTION 2



CHIMNEY SHROUD WITH CLOSED TOP & OPEN SIDES