



OUTDOOR KIT INSTALLATION

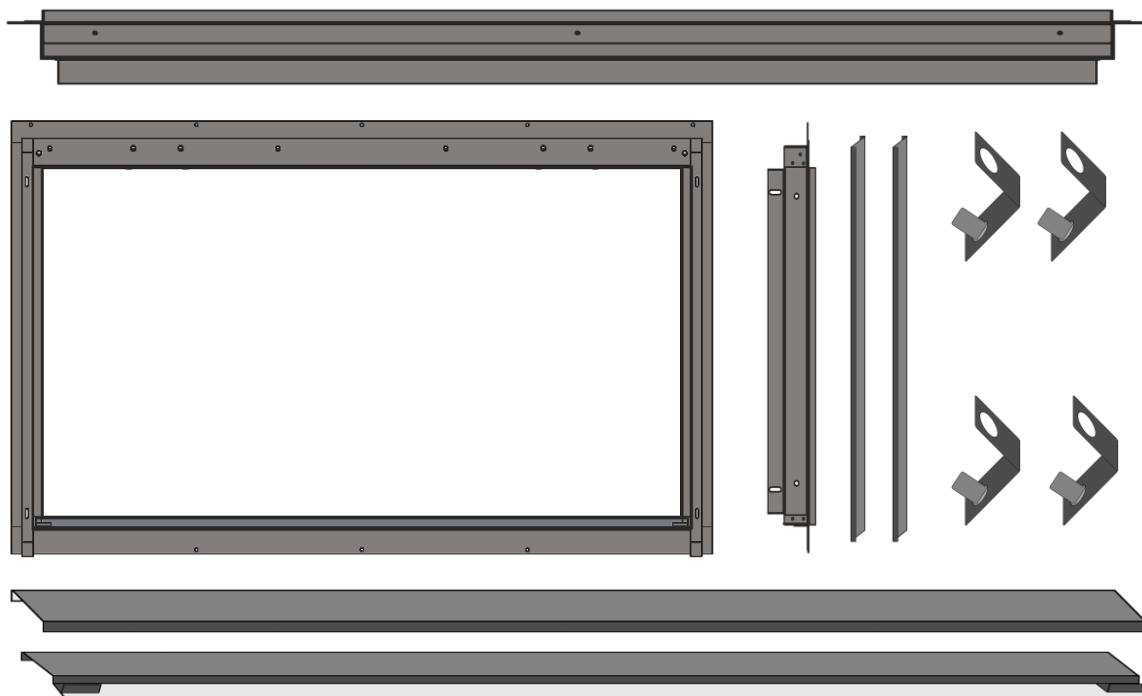
The following guide walks through how-to install the Flare Fireplaces Outdoor Kit on a See-Through fireplace. This service must be done by a certified and trained service professional or Flare Fireplaces dealer partner.

TOOL LIST

1. Powered drill with philips-head bit.
2. Suction cups

WARNING!

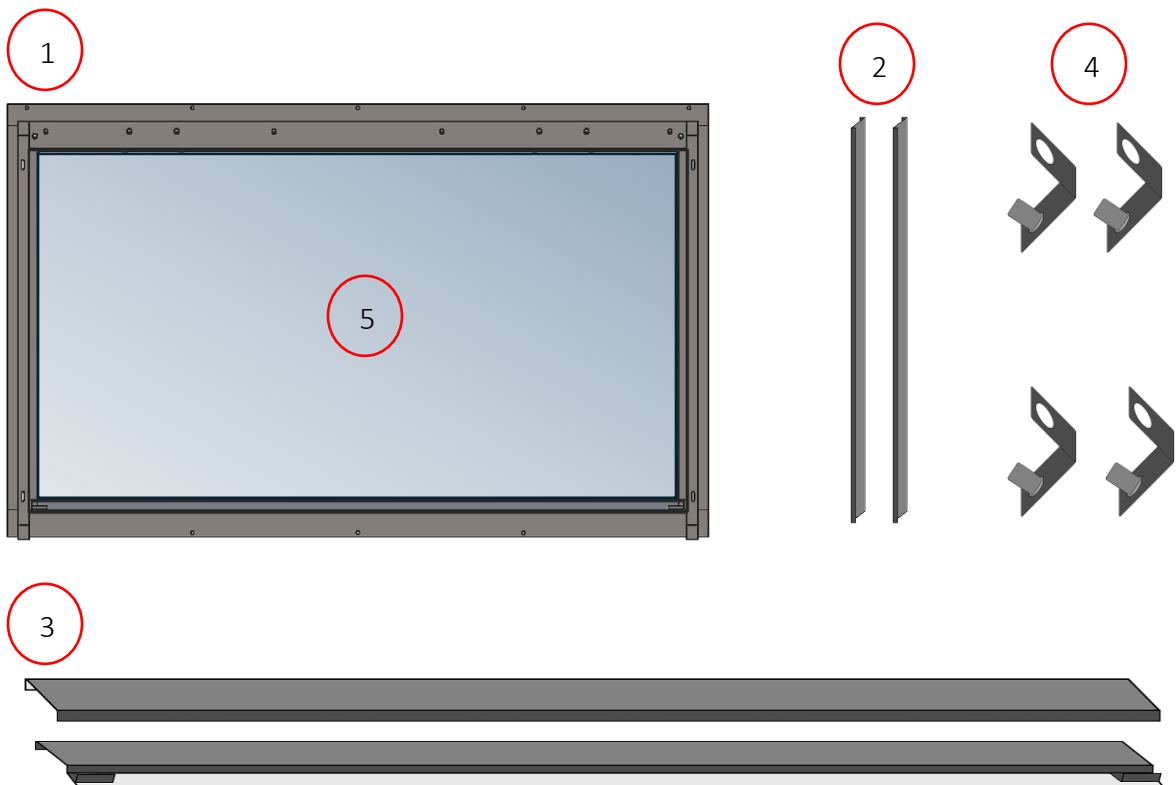
All service must be done when the fireplace is cold and is removed from gas and power.



UNPACKING THE OUTDOOR KIT

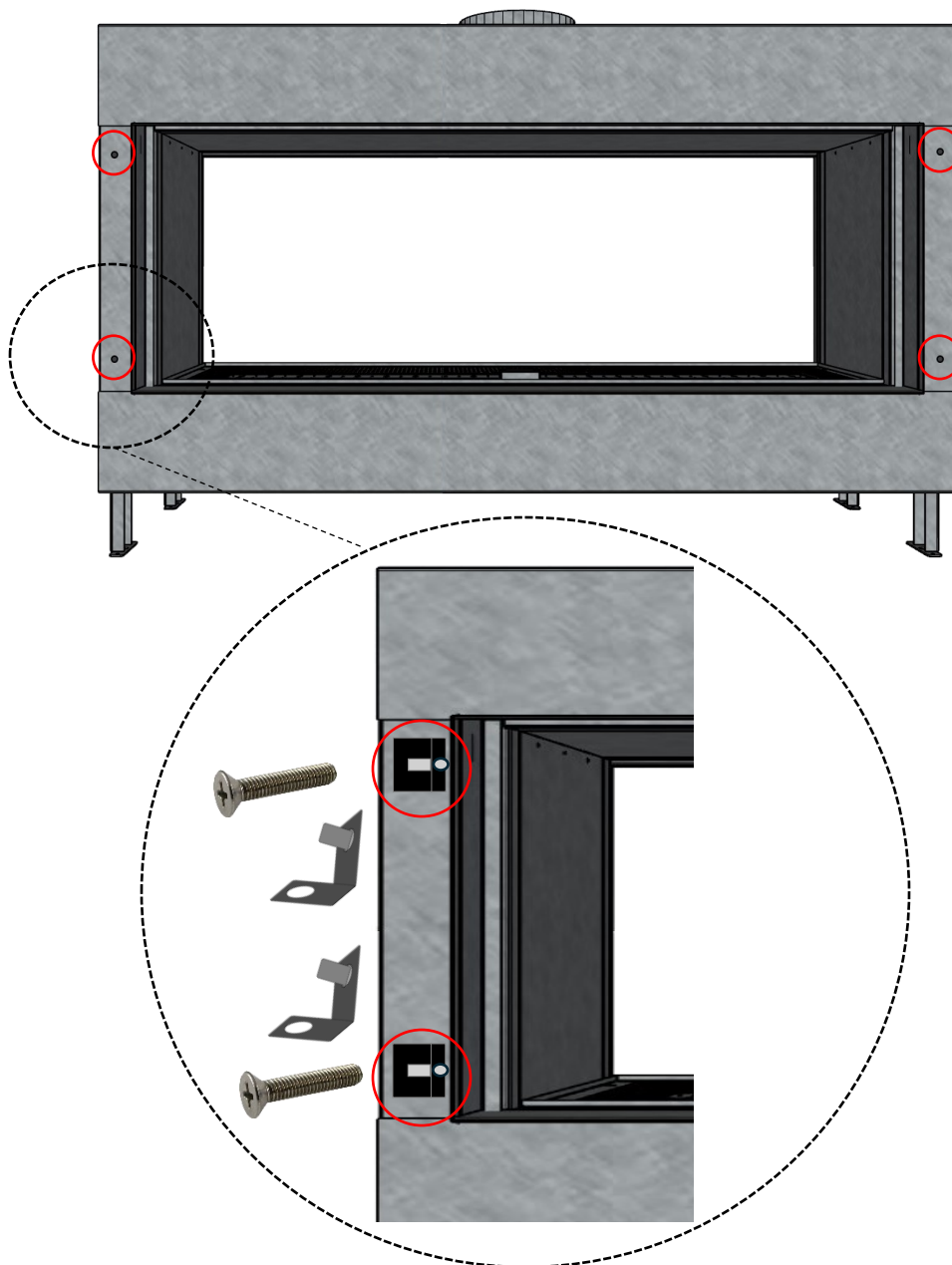
The Outdoor Kit will arrive in a large wooden crate containing the following components:

1. Outdoor Kit Frame
2. Left and Right Vertical Fillers
3. Interior and Exterior Horizontal Fillers
4. 90-Degree Mounting Brackets (x4)
5. Outdoor Kit Tempered Glass (Sized based on fireplace)



ATTACHING 90-DEGREE BRACKETS TO VERTICAL FRAME

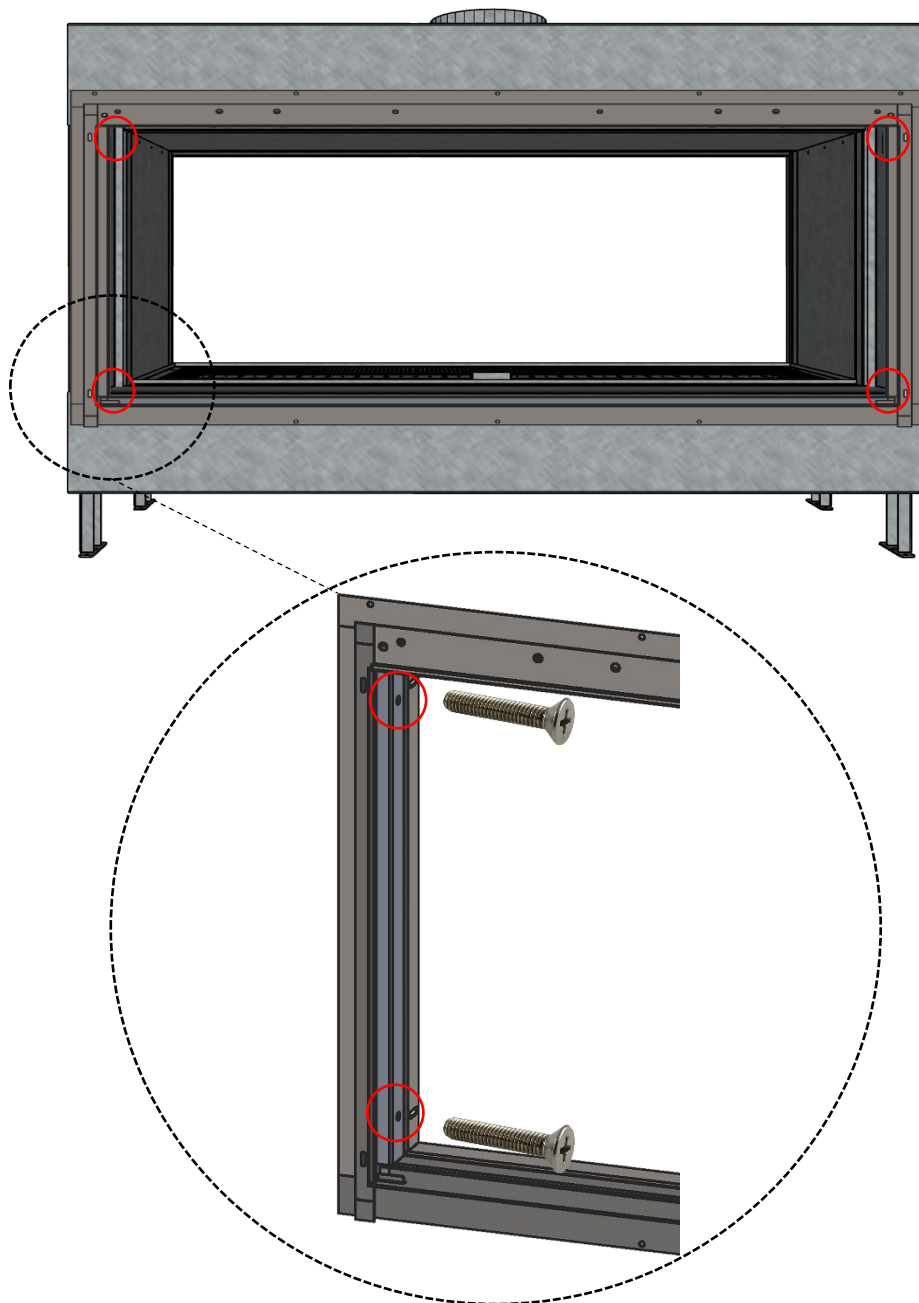
Locate the four screws positioned at the top and bottom of the vertical frame on both the left and right sides of the fireplace. Remove these screws and reinstall them along with the four 90-degree mounting brackets, ensuring that the threaded hole on each bracket is positioned perpendicular to the fireplace's body and facing inward toward the fireplace opening. Tighten the screws securely to hold the brackets in place.





ATTACHING OUTDOOR KIT TO FIREPLACE FACE

The outdoor kit frame will slide into the fireplace opening, then is secured by attaching screws from the inside of the kit to the 90-degree mounting brackets. Orient the kit so your butterfly trims are on the top and filler channels are on the bottom.

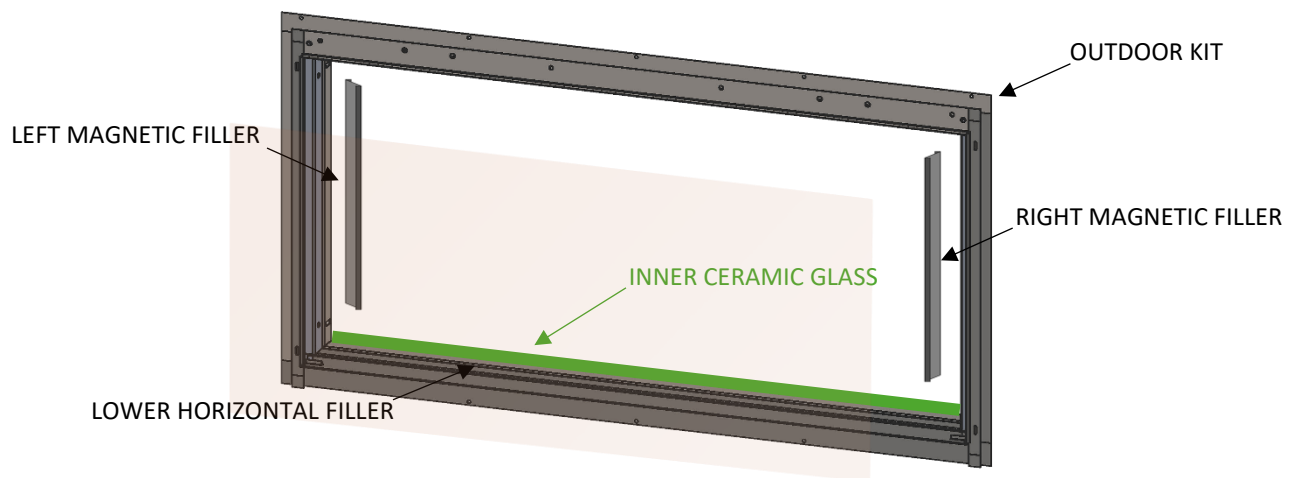




INSTALLING THE INNER CERAMIC GLASS AND INNER FILLERS

To install the inner ceramic glass:

- First loosen the hand screws to open the butterfly trim located in the top frame of the fireplace.
- Remove the left, right, and bottom trim pieces from the frame by loosening the hand screws and pulling trim out of fireplace frame.
- Using suction cups, insert the top of the glass into the upper fireplace frame, gently pushing it in until it rests flush against the non-combustible gasket on all sides and sits on the lower ledge of the frame.
- While holding the butterfly trim closed over the top of the glass with one hand, use your other hand to tighten the hand screws, securing the trim in position from the center out.
- Reinstall the bottom, left, and right trim pieces over the glass to secure all sides of the inner ceramic glass panel against the gasket, effectively sealing the fireplace face.
- Place the lower horizontal filler piece and the left/right magnetic vertical filler pieces in front of glass. *(Horizontal filler will be louvered if using a Double Glass safety barrier, and solid if Screen safety barrier)*



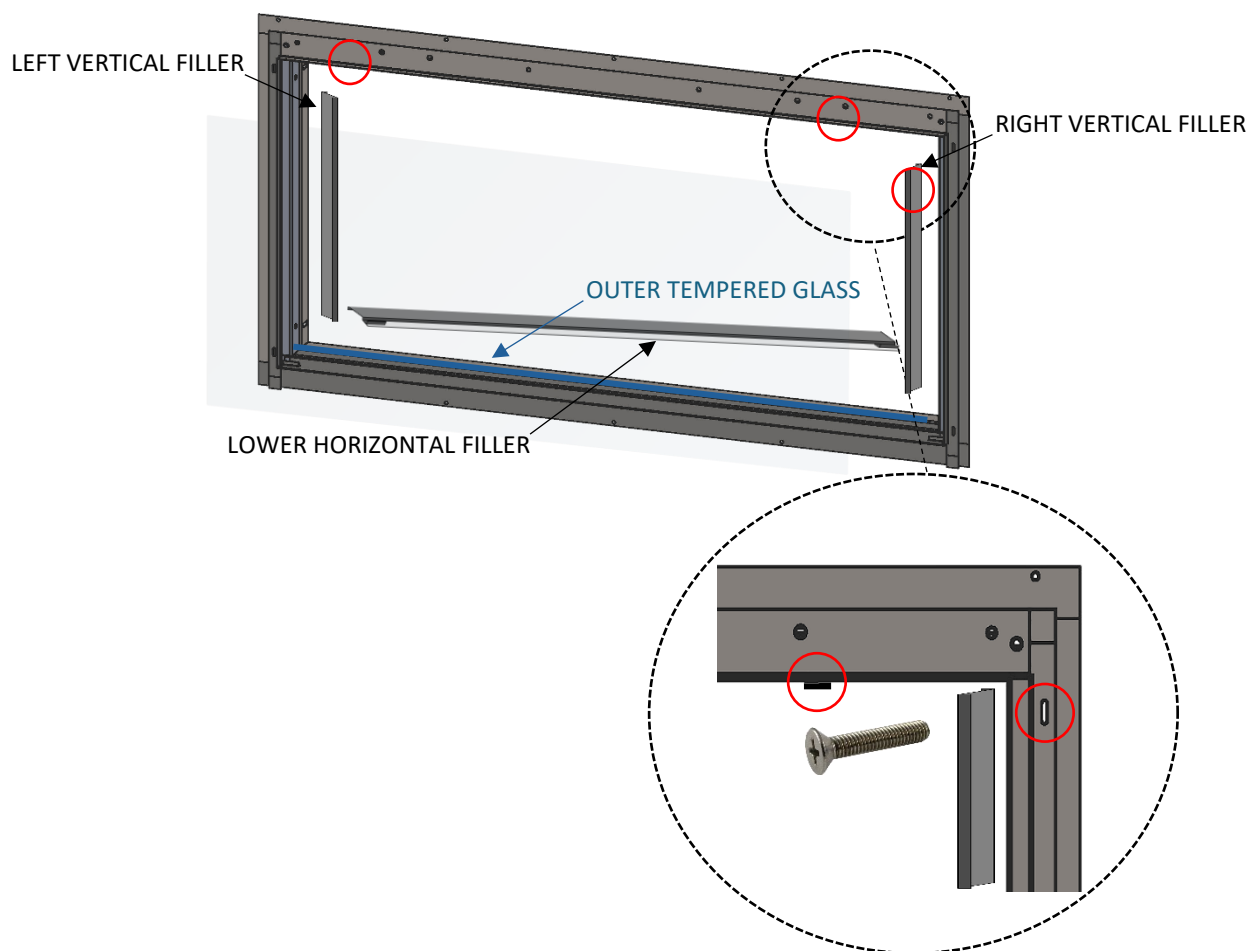
WARNING!

Inner glass must be sealed against non-combustible gasket on all sides, with trims over the glass securing it in position.

INSTALLING OUTDOOR KIT TEMPERED GLASS – DOUBLE GLASS

To install the Outdoor Kit tempered glass:

- Using suction cups lift the tempered glass into position by placing the upper edge of the glass against the ears of the butterfly trim built into the upper frame of the outdoor kit.
- Gently push glass in and set in lower channel of outdoor kit
- Insert the lower horizontal filler in front of the tempered glass in the outdoor kit. *This filler will have tabs for a safety screen if one is being installed.*
- Attach your left and right vertical filler in front of the tempered glass, making sure to screw them into position at the top and bottom of each filler.



INSTALLING SAFETY SCREEN

If the client has selected the invisible mesh safety screen as their safety barrier, the screen is installed in front of the Outdoor Kit outer tempered glass panel.

To install the invisible mesh safety screen:

- Lift the safety screen into position by placing the upper edge of the screen's frame against the ears of the butterfly trim built into the upper frame of the outdoor kit.
- Gently push the screen in and set in lower channel of outdoor kit

