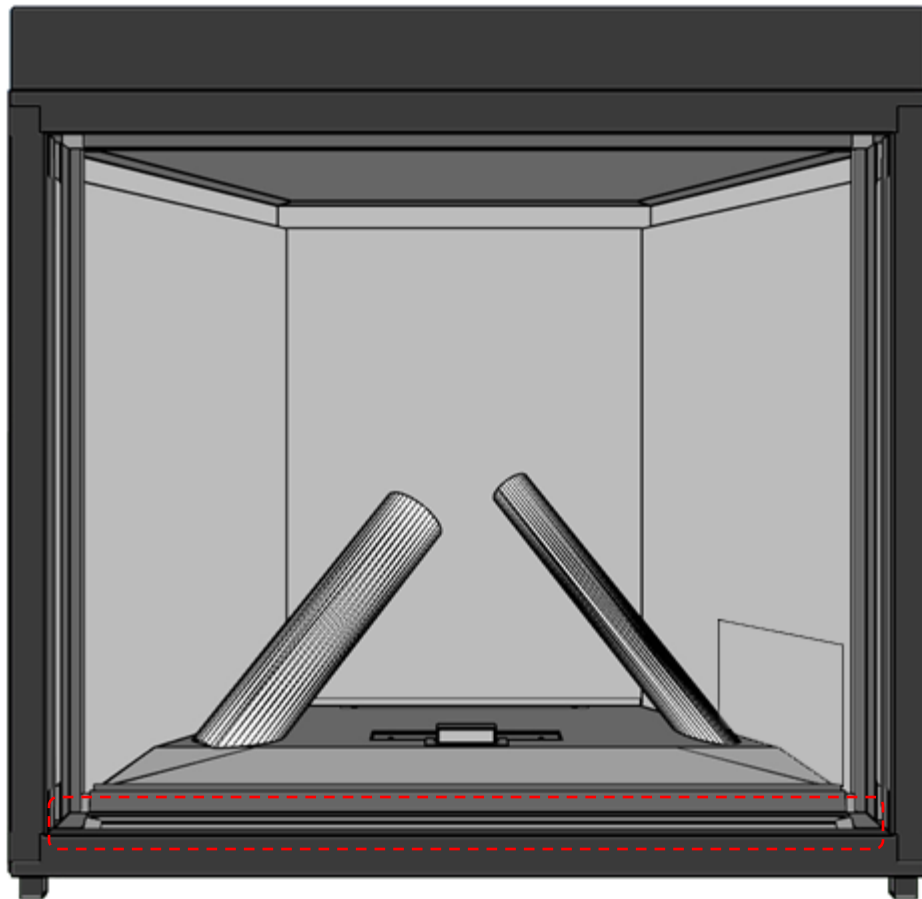


# FLARE FIREPLACES

## TRADITIONAL BUILT IN ACCESS

All Traditional fireplaces have built-in components located in the lower frame, eliminating the need for an access panel and simplifying field service. To access these components, follow these steps:



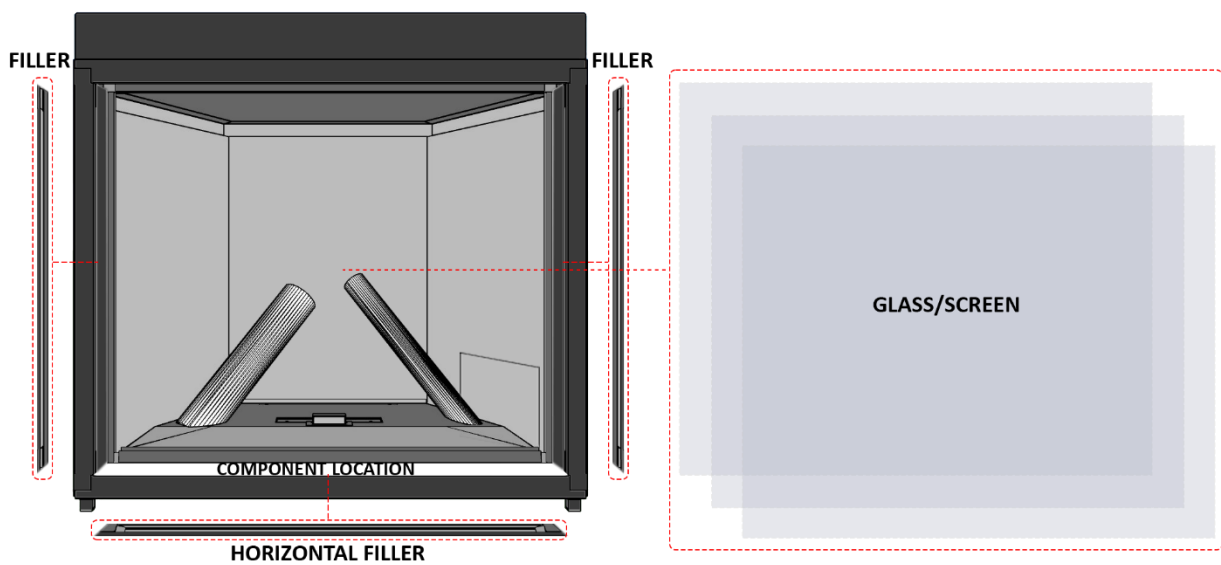
### NOTE

Only service the fireplace when the fireplace, gas, and electrical are all turned off and the unit is cold.

# FLARE FIREPLACES

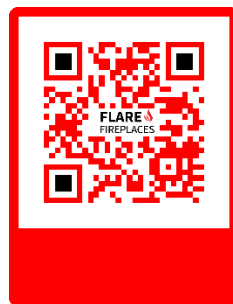
## REMOVING GLASS AND FILLERS

To gain access to the built-in components a technician must remove the outer safety barrier (screen or triple glass), then the left, right and horizontal filler pieces. **Scan QR code below for video on glass installation.**



## NOTE

Please store glass and fillers in a safe location to prevent damage during service.

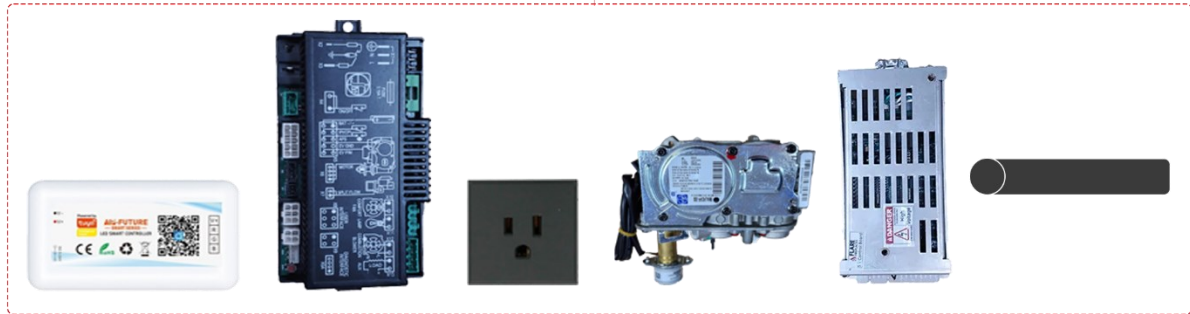
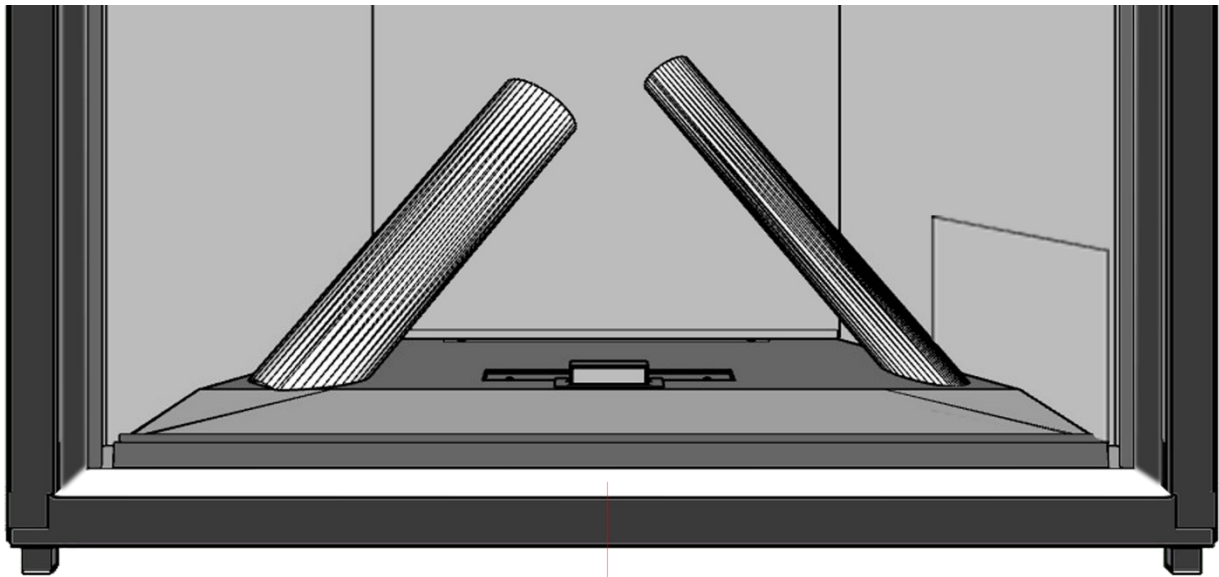


[TRIPLE GLASS INSTALLATION VIDEO](#)

# FLARE FIREPLACES

## COMPONENTS WITHIN ACCESS SLOT

Once your safety barrier(s) and fillers have been removed the following components can be accessed through the gap left under the horizontal filler.



RGB CONTROLLER

SIT RECEIVER

POWER

GAS VALVE

CONTROL BOARD

GAS HARD LINE

## NOTE

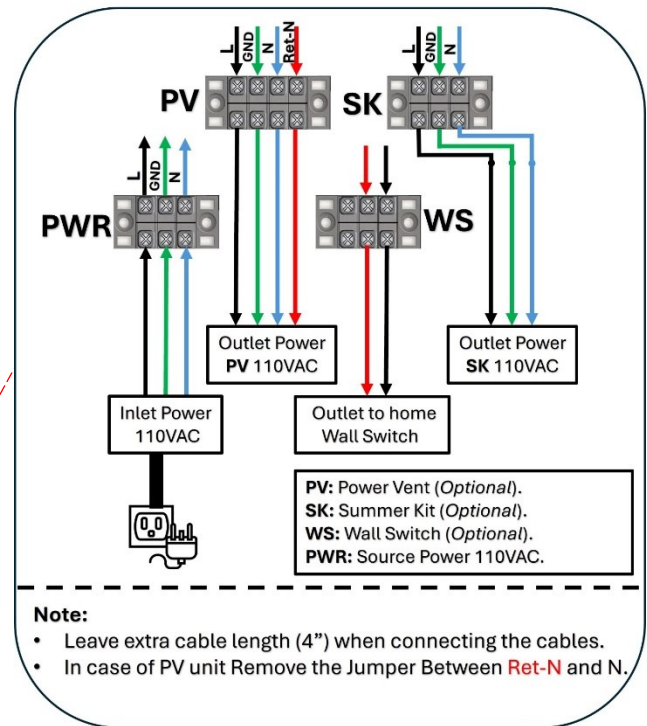
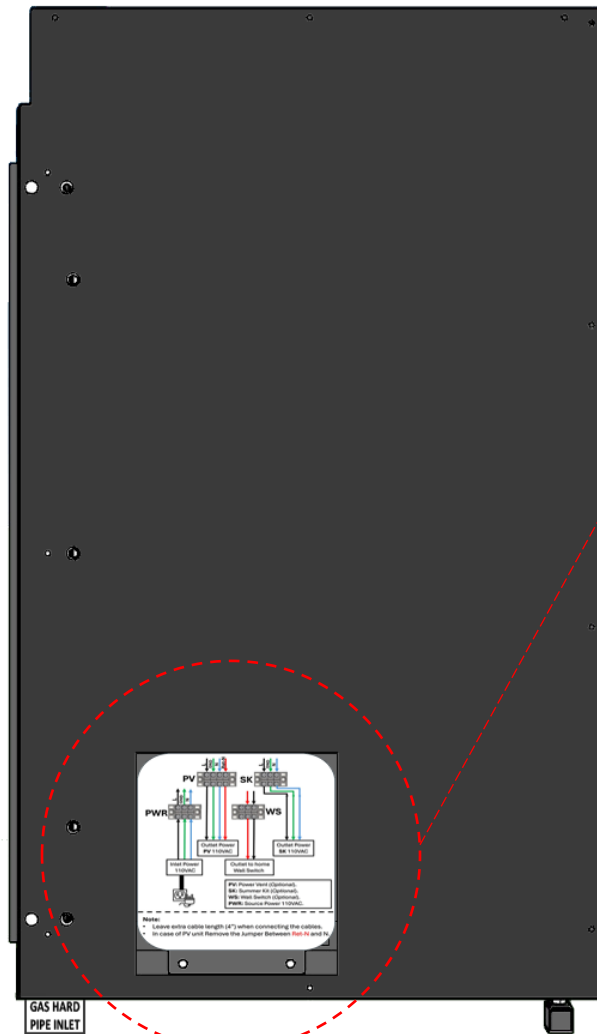
Plug in power to the outlet built-in to the fireplace. A licensed plumber will need to hard-pipe the gas line in from the right side of the box using the space provided. The fireplace technician will then use the provided gas flex line to connect to the gas hard-pipe.

# FLARE

## FIREPLACES

### ELECTRICAL PANEL AND INTERNAL ACCESS DOOR

Electrical connections will be made using the access door provided on the outer right of the fireplace and can be accessed once the unit is installed by removing the access door built-in to the inner right side of the fireplace.



**Note:**

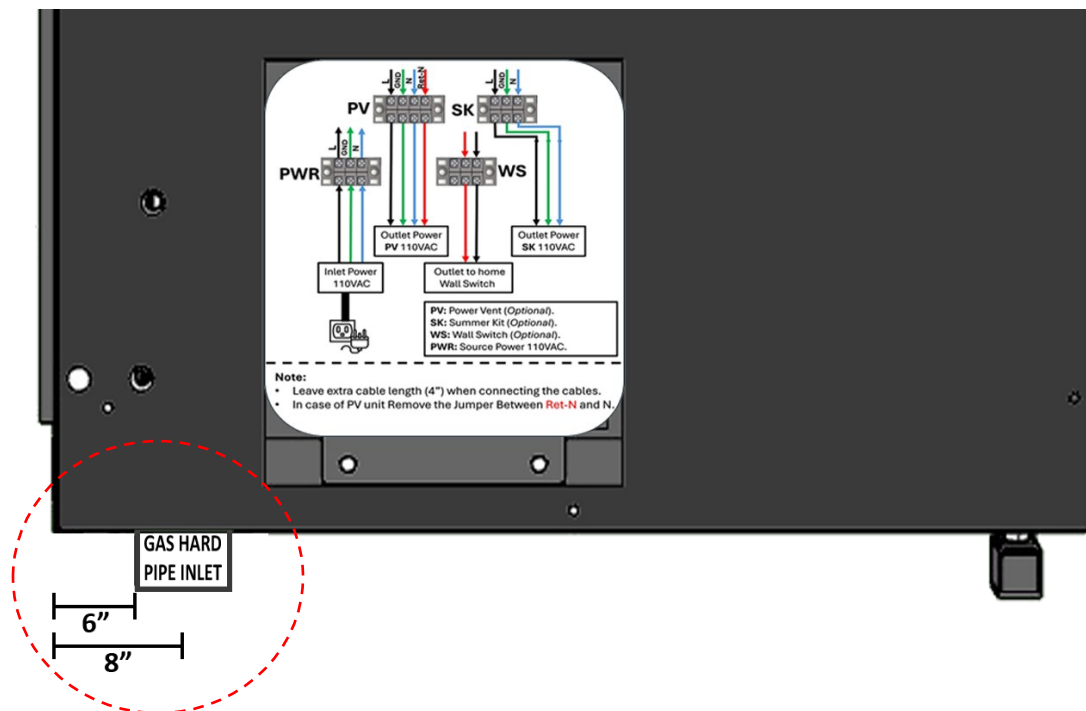
- Leave extra cable length (4") when connecting the cables.
- In case of PV unit Remove the Jumper Between **Ret-N** and **N**.

# FLARE

## FIREPLACES

### GAS LINE PLACEMENT AND CONNECTION

The Traditional fireplace uses a special slot built-in to the lower right side of the fireplace to allow a licensed gas plumber/technician to hard pipe gas into the component area. Connecting to the ½" flex present within the component area, tying it into the gas valve system.



## NOTE

Please note the gas line can come in from any side of the fireplace, as long as it can reach the front right corner to connect to the provided flex pipe that ties into the valve.