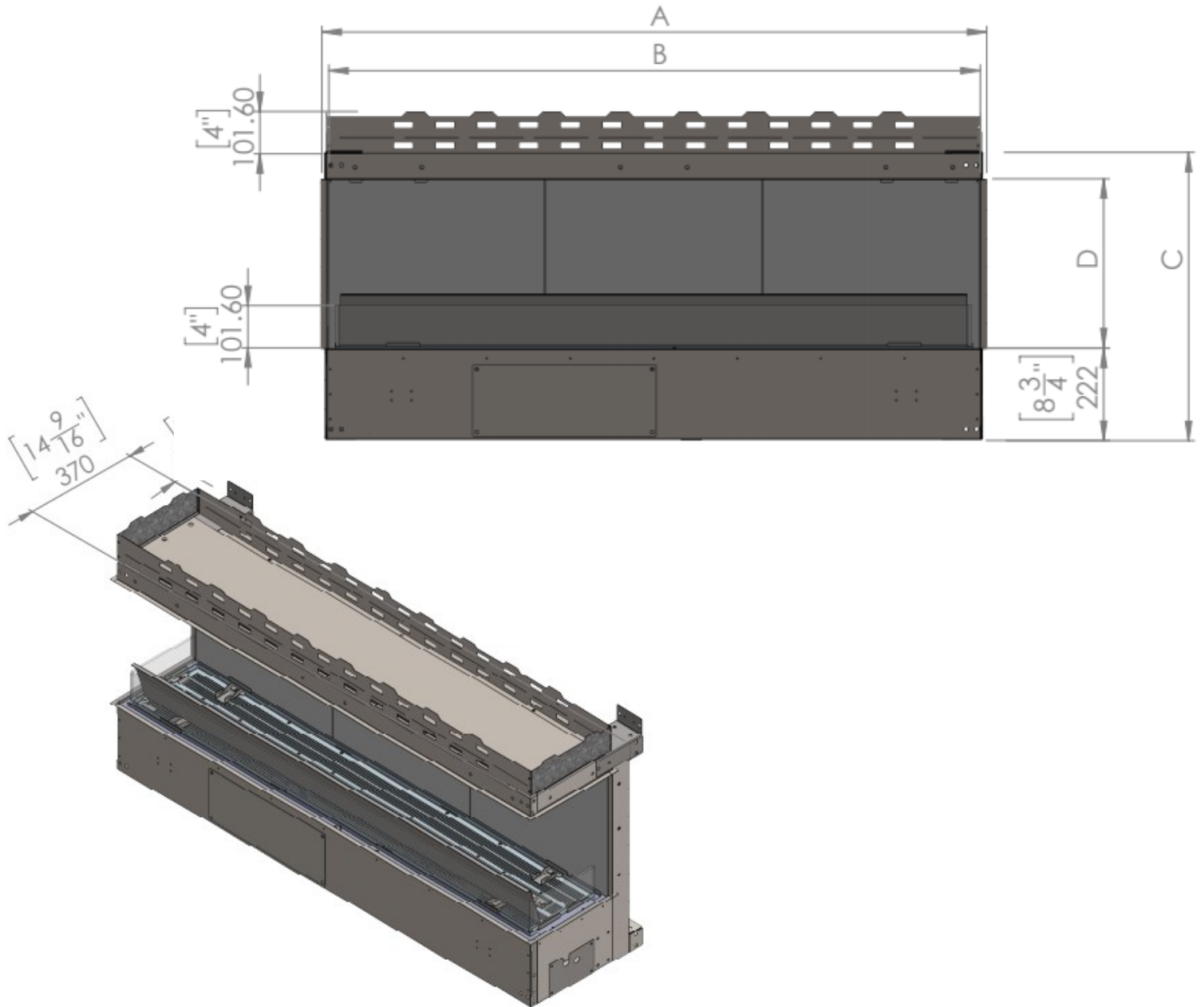
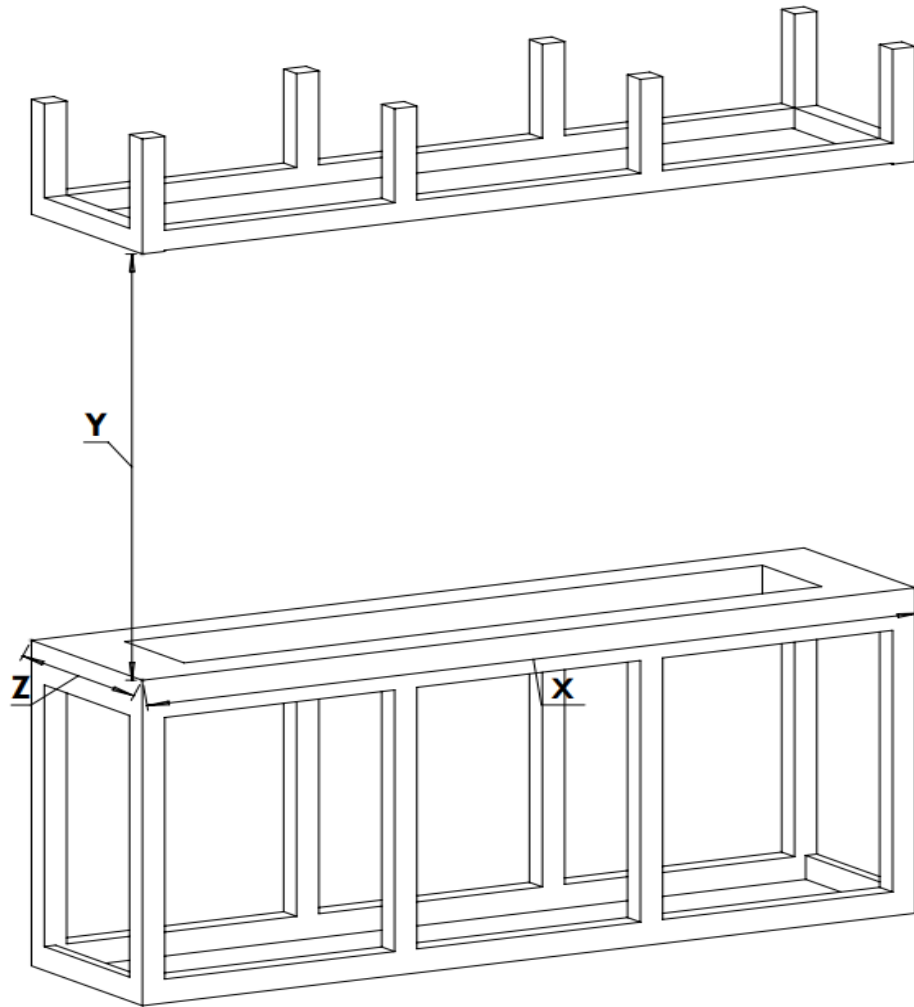


Unit Dimensions

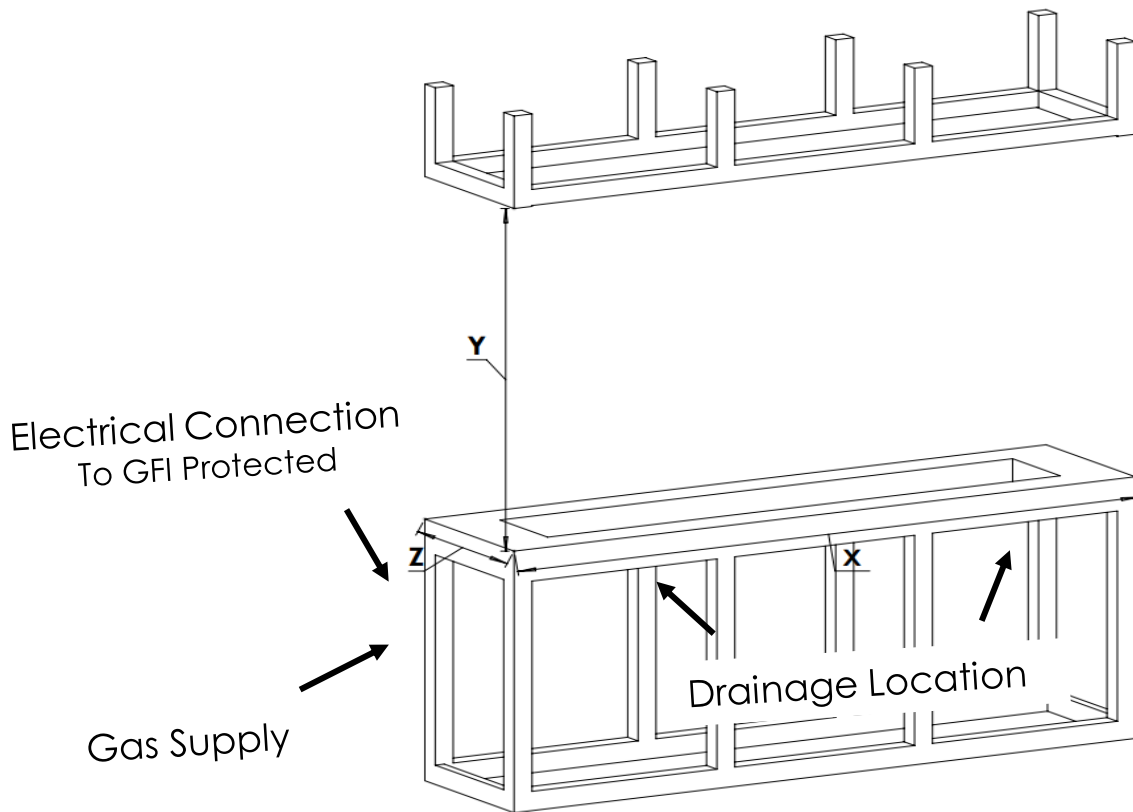


Model	50	60	70	80	100
A- Inch	54 2/16	62 13/16	70 11/16	80 14/16	99
B- Inch	52 14/16	61 9/16	69 7/16	79 11/16	97 13/16
C- Inch	35 4/16	35 4/16	35 4/16	35 4/16	35 4/16
D- Inch	24	24	24	24	24

Cavity Dimensions



		X	Y	Z
50	Inch	54 ² / ₁₆	39 ⁴ / ₁₆	16 ¹⁰ / ₁₆
	mm	1375	997	422
60	Inch	62 ¹³ / ₁₆	39 ⁴ / ₁₆	16 ¹⁰ / ₁₆
	mm	1595	997	422
70	Inch	70 ¹¹ / ₁₆	39 ⁴ / ₁₆	16 ¹⁰ / ₁₆
	mm	1795	997	422
80	Inch	80 ¹⁴ / ₁₆	39 ⁴ / ₁₆	16 ¹⁰ / ₁₆
	mm	2054	997	422
100	Inch	99	39 ⁴ / ₁₆	16 ¹⁰ / ₁₆
	mm	2515	997	422



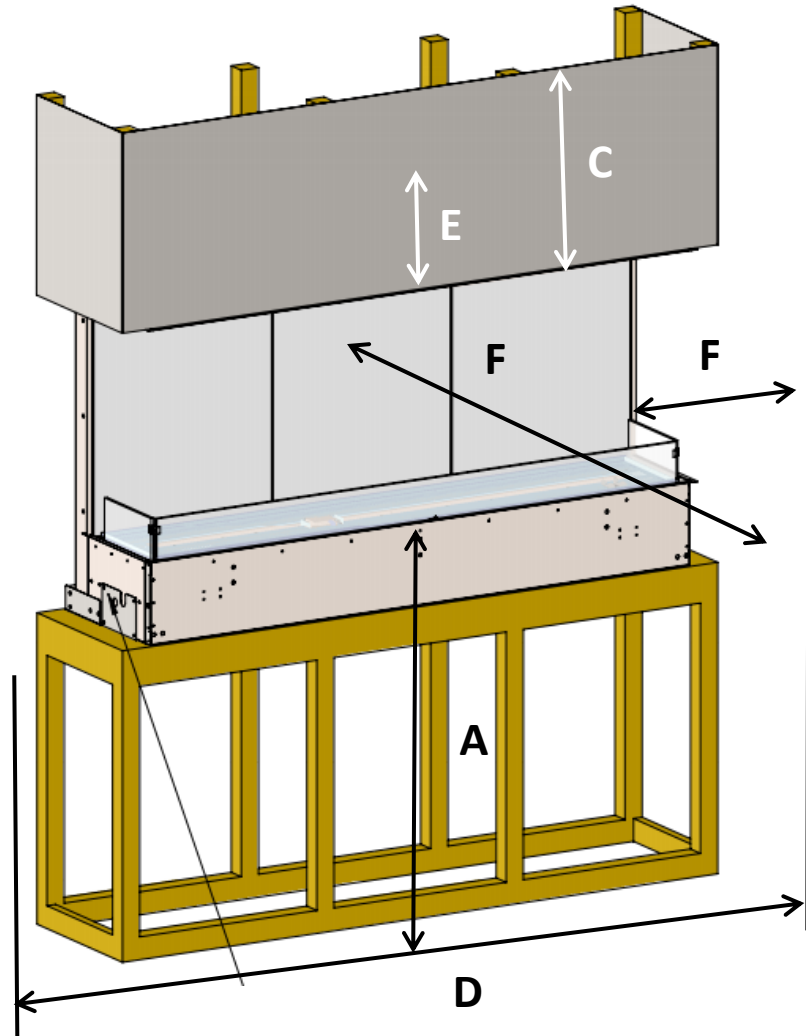
Drainage- Flare Fireplaces Vent Free line are outdoor rated using Stainless Steel, corrosion resistant materials. However, care should be taken to ensure rain and other moisture cannot collect between unit and mounting platform. Plan for drainage to run outside of cavity away from other fixed buildings and objects.

Electrical Connection- 110V AC (15 AMP dedicated recommended but not required) power source must be provided to run fireplace. Electrical connection needs to be provided to the right of the unit and utilize a Ground Fault Circuit Interrupter (GFCI/GFI) outlet required. Ensure switch is installed to control power to outlet for control over fireplace.

Gas Supply- Gas should be run into the right side of the unit. Flex pipe will be provided within unit, but hard piping should be done into fireplace box.

Manual Gas Shut Off- Required on all outdoor unit installations. Manual Gas Shut off must be visible (after finishing) and remain accessible in the event of an emergency. Consult city, state and other local codes to confirm additional requirements as needed.

Clearance to Floor- Flare Ventless line must maintain box opening at least 11" above any combustible flooring. For fireplaces which are considering being mounted lower, flooring must be non-combustible material (i.e. stone, tile, cement, etc.)



Index	Description	Dimension from fireplace opening
A	From ground or other combustible surface	11"
C	From Opening to Ceiling (minimum)	36" from top opening
D	Alcove Width (minimum)	36" +36" (side opening)
E	Non-Combustible Board above opening (side and front opening)	8"
F	In front of the opening, short and long	36"

See Installation Manual for all clearances and requirements. Type-X is not allowed as non-combustible board over appliance opening.