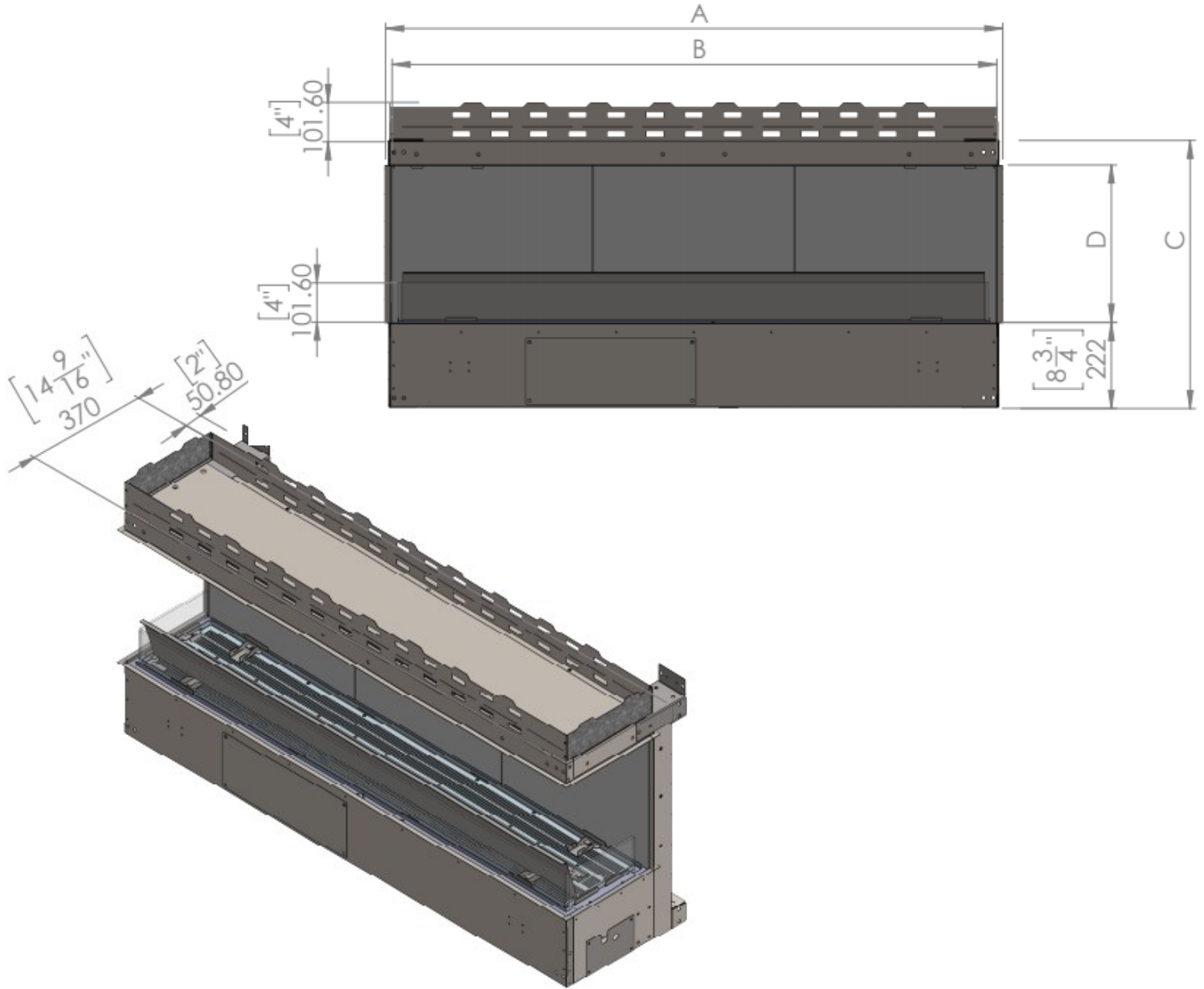
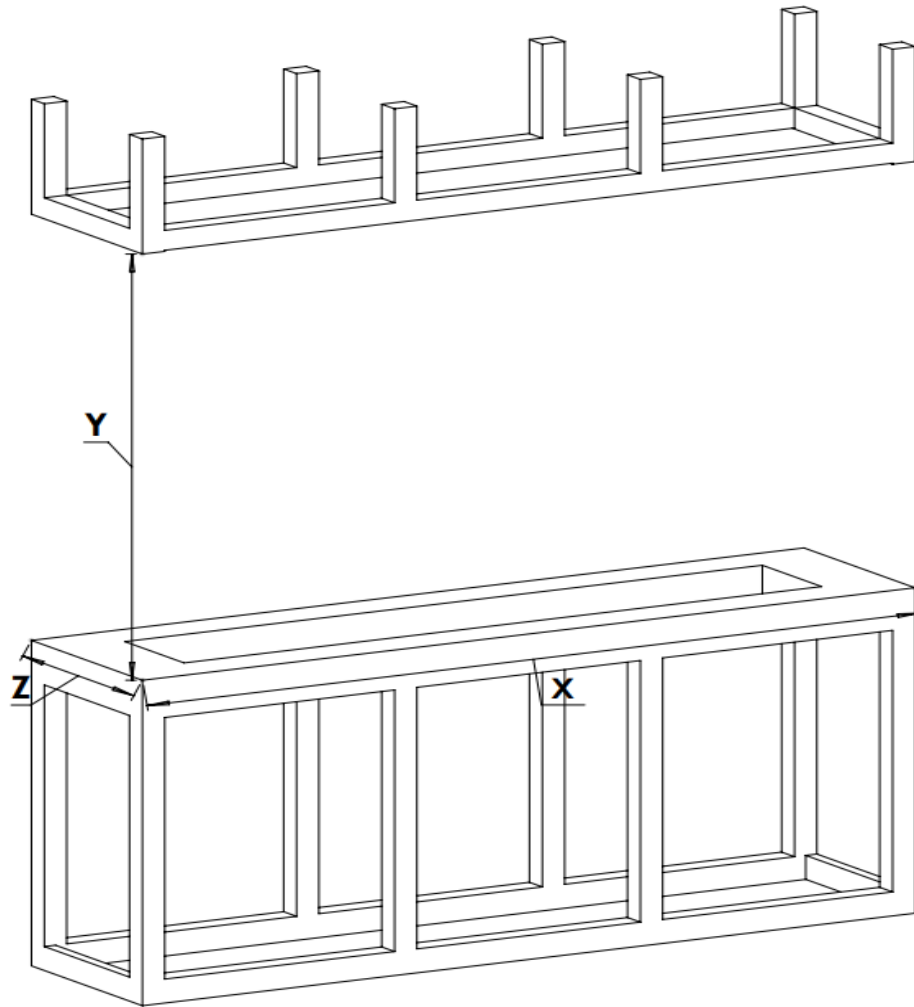


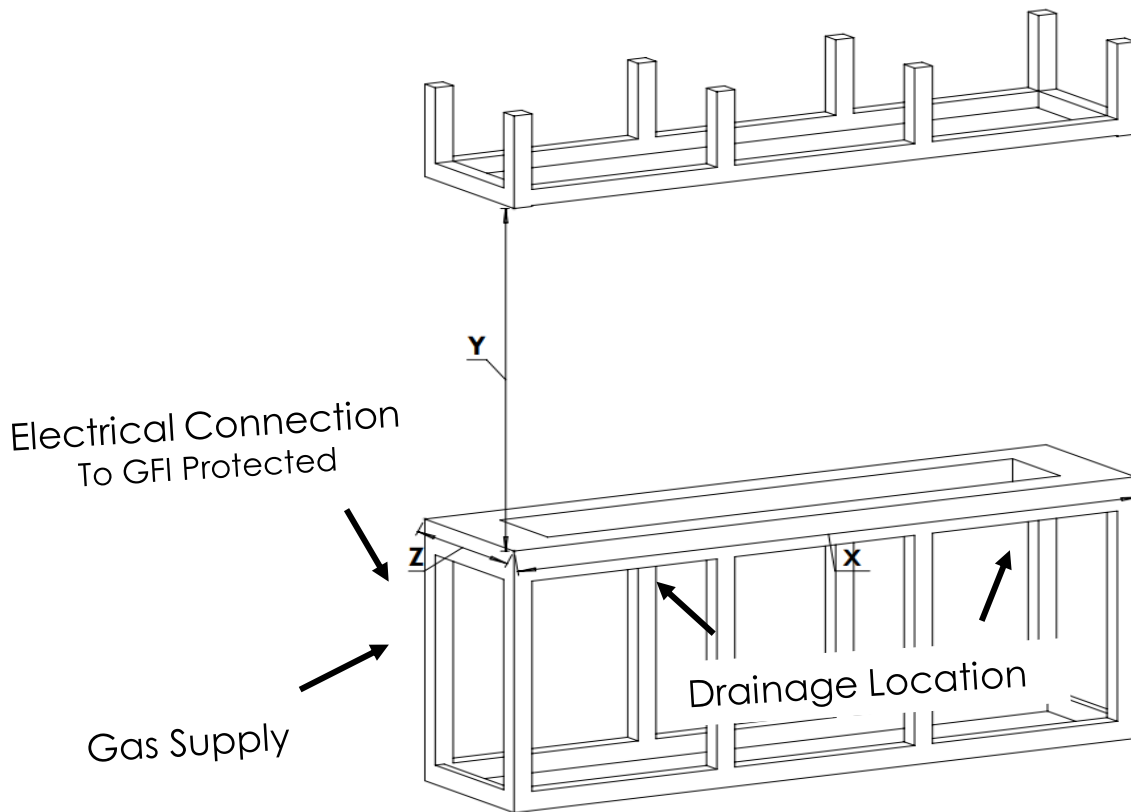
## Unit Dimensions



Model	50	60	70	80	100
A- Inch	54 <sup>2</sup> / <sub>16</sub>	62 <sup>13</sup> / <sub>16</sub>	70 <sup>11</sup> / <sub>16</sub>	80 <sup>14</sup> / <sub>16</sub>	99
B- Inch	52 <sup>14</sup> / <sub>16</sub>	61 <sup>9</sup> / <sub>16</sub>	69 <sup>7</sup> / <sub>16</sub>	79 <sup>11</sup> / <sub>16</sub>	97 <sup>13</sup> / <sub>16</sub>
C- Inch	27 <sup>6</sup> / <sub>16</sub>	27 <sup>6</sup> / <sub>16</sub>	27 <sup>6</sup> / <sub>16</sub>	27 <sup>6</sup> / <sub>16</sub>	27 <sup>6</sup> / <sub>16</sub>
D- Inch	16	16	16	16	16



		X	Y	Z
50	Inch	54 <sup>2</sup> / <sub>16</sub>	31 <sup>6</sup> / <sub>16</sub>	16 <sup>10</sup> / <sub>16</sub>
	mm	1375	797	422
60	Inch	62 <sup>13</sup> / <sub>16</sub>	31 <sup>6</sup> / <sub>16</sub>	16 <sup>10</sup> / <sub>16</sub>
	mm	1595	797	422
70	Inch	70 <sup>11</sup> / <sub>16</sub>	31 <sup>6</sup> / <sub>16</sub>	16 <sup>10</sup> / <sub>16</sub>
	mm	1795	797	422
80	Inch	80 <sup>14</sup> / <sub>16</sub>	31 <sup>6</sup> / <sub>16</sub>	16 <sup>10</sup> / <sub>16</sub>
	mm	2054	797	422
100	Inch	99	31 <sup>6</sup> / <sub>16</sub>	16 <sup>10</sup> / <sub>16</sub>
	mm	2515	797	422



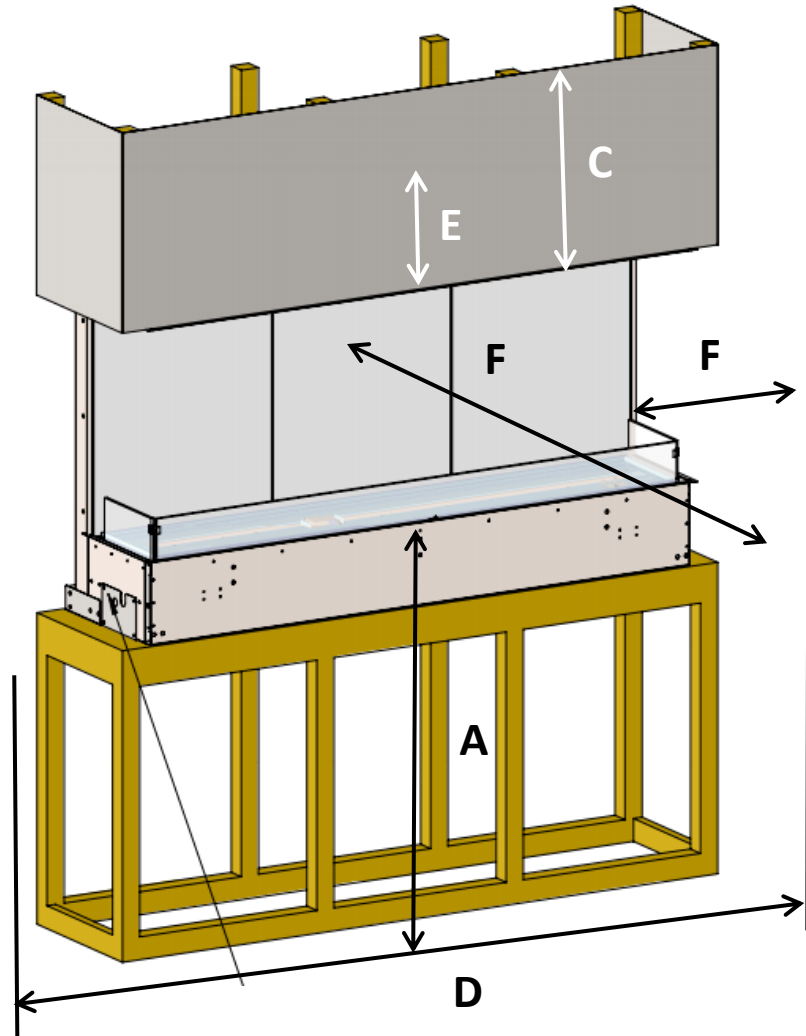
**Drainage-** Flare Fireplaces Vent Free line are outdoor rated using Stainless Steel, corrosion resistant materials. However, care should be taken to ensure rain and other moisture cannot collect between unit and mounting platform. Plan for drainage to run outside of cavity away from other fixed buildings and objects.

**Electrical Connection-** 110V AC (15 AMP dedicated recommended but not required) power source must be provided to run fireplace. Electrical connection needs to be provided to the right of the unit and utilize a Ground Fault Circuit Interrupter (GFCI/GFI) outlet required. Ensure switch is installed to control power to outlet for control over fireplace.

**Gas Supply-** Gas should be run into the right side of the unit. Flex pipe will be provided within unit, but hard piping should be done into fireplace box.

**Manual Gas Shut Off-** Required on all outdoor unit installations. Manual Gas Shut off must be visible (after finishing) and remain accessible in the event of an emergency. Consult city, state and other local codes to confirm additional requirements as needed.

**Clearance to Floor-** Flare Ventless line must maintain box opening at least 11" above any combustible flooring. For fireplaces which are considering being mounted lower, flooring must be non-combustible material (i.e. stone, tile, cement, etc.)



Index	Description	Dimension from fireplace opening
A	From ground or other combustible surface	11"
C	From Opening to Ceiling (minimum)	36" from top opening
D	Alcove Width (minimum)	36" +36" (side opening)
E	Non-Combustible Board above opening (side and front opening)	8"
F	In front of the opening, short and long	36"

See Installation Manual for all clearances and requirements. Type-X is not allowed as non-combustible board over appliance opening.