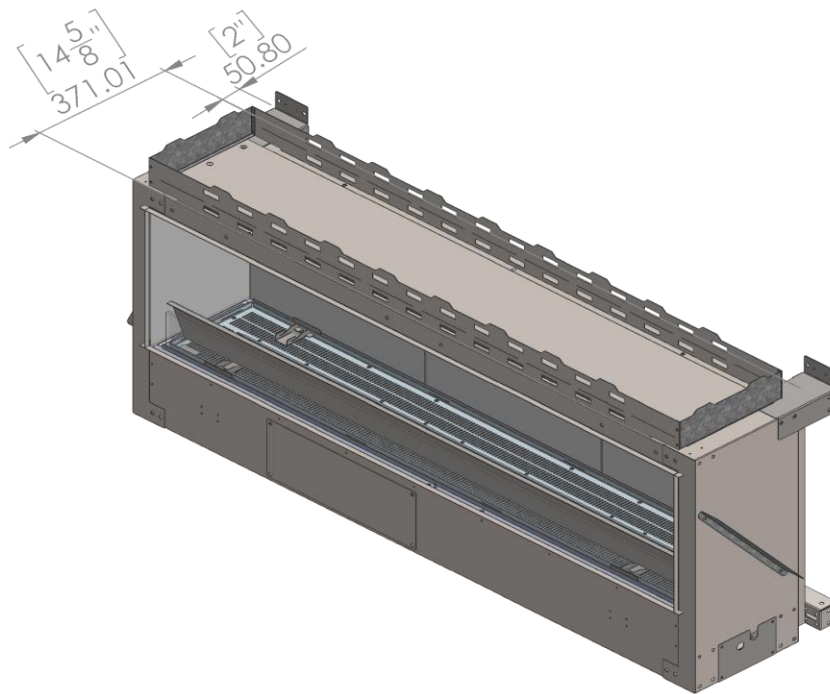
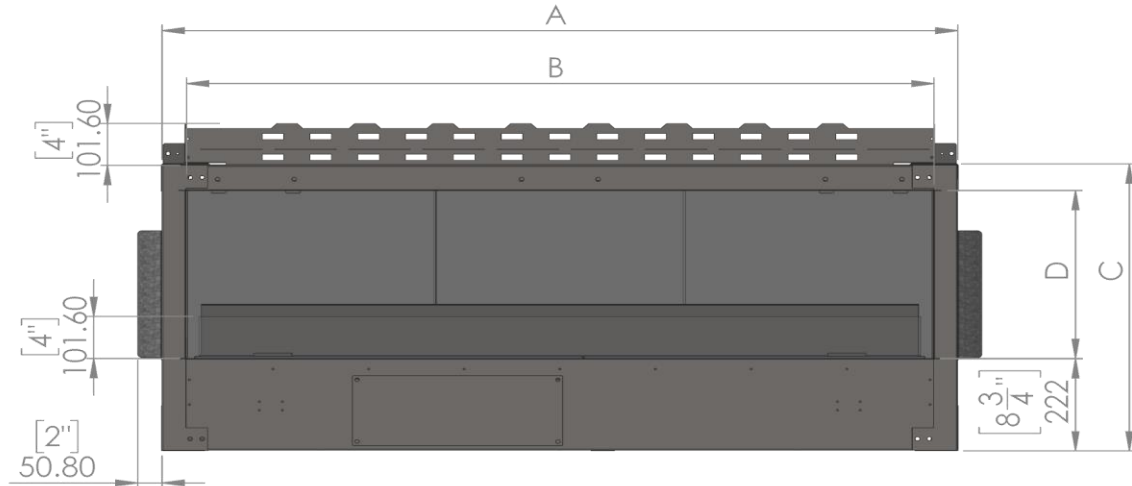
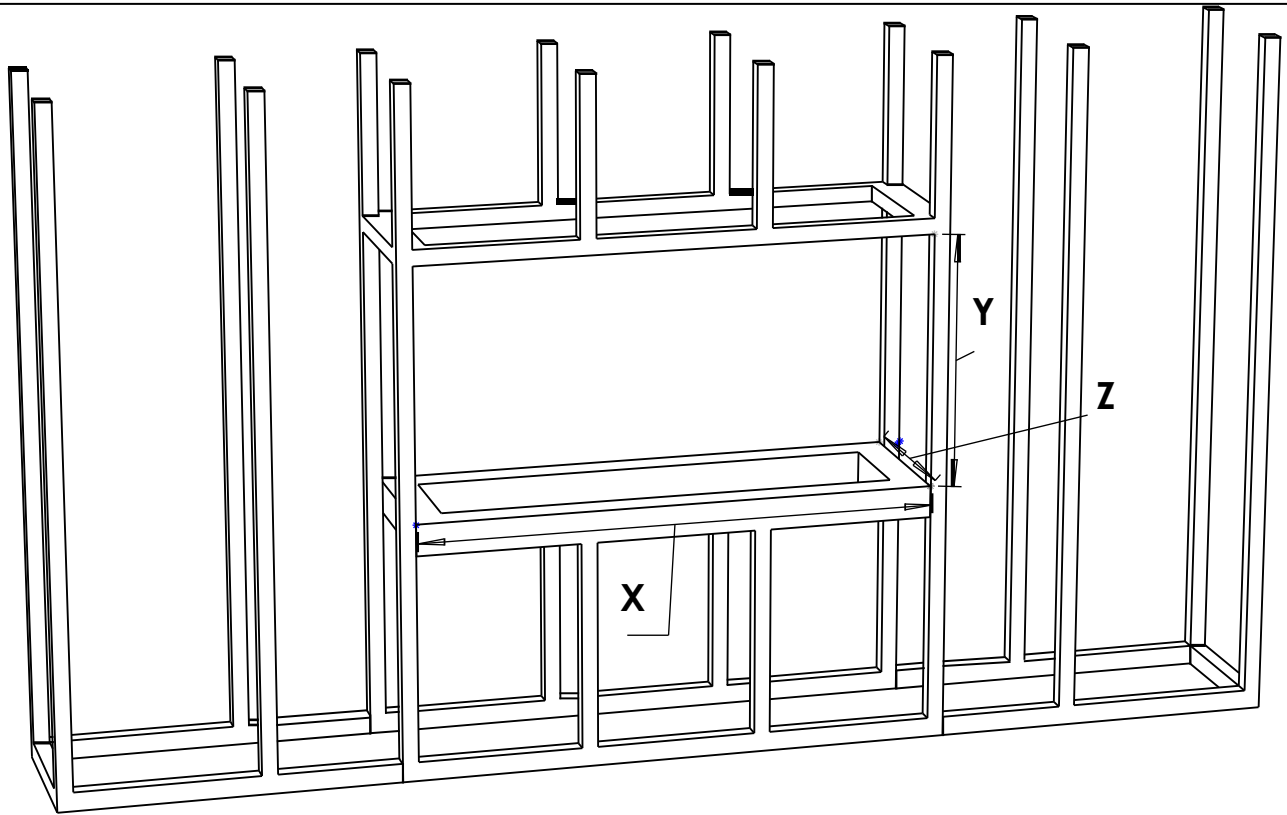


## Unit Dimensions



Model	50	60	70	80	100
A- Inch	56 13/16	65 8/16	73 6/16	83 10/16	101 12/16
B- Inch	52 14/16	61 9/16	69 7/16	79 11/16	97 13/16
C- Inch	27 6/16	27 6/16	27 6/16	27 6/16	27 6/16
D- Inch	16	16	16	16	16

# Cavity Dimensions and Framing Clearances



Maintain Framing clearances to combustible framing from fire box:

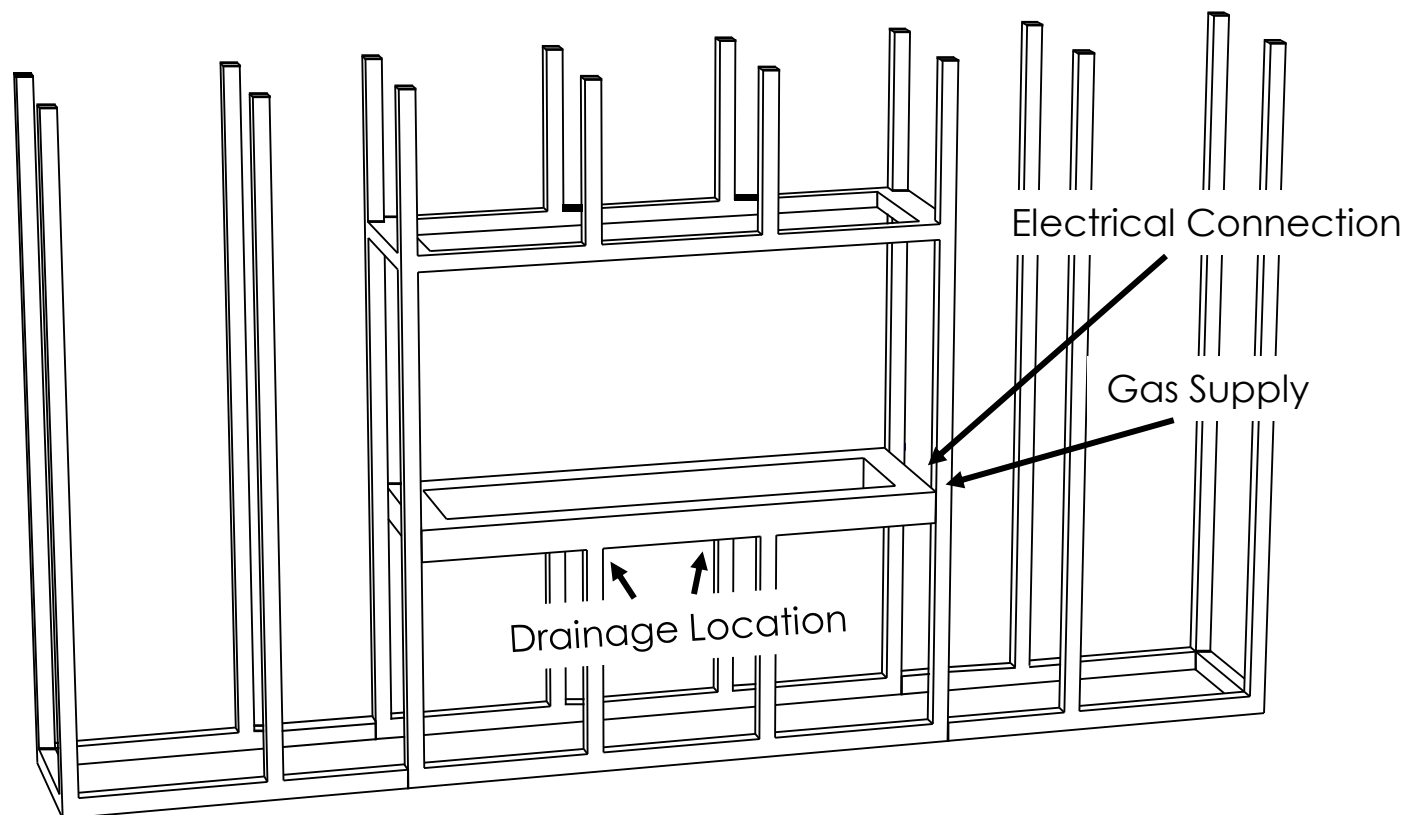
**2" Sides**

**2" Back**

**4" Top**

**0" below (Re-enforced Base)**

		<b>X</b>	<b>Y</b>	<b>Z</b>
<b>50</b>	Inch	60 <sup>13</sup> / <sub>16</sub>	31 <sup>6</sup> / <sub>16</sub>	16 <sup>10</sup> / <sub>16</sub>
	mm	1545	797	422
<b>60</b>	Inch	69 <sup>8</sup> / <sub>16</sub>	31 <sup>6</sup> / <sub>16</sub>	16 <sup>10</sup> / <sub>16</sub>
	mm	1765	797	422
<b>70</b>	Inch	77 <sup>6</sup> / <sub>16</sub>	31 <sup>6</sup> / <sub>16</sub>	16 <sup>10</sup> / <sub>16</sub>
	mm	1965	797	422
<b>80</b>	Inch	87 <sup>10</sup> / <sub>16</sub>	31 <sup>6</sup> / <sub>16</sub>	16 <sup>10</sup> / <sub>16</sub>
	mm	2226	797	422
<b>100</b>	Inch	105 <sup>12</sup> / <sub>16</sub>	31 <sup>6</sup> / <sub>16</sub>	16 <sup>10</sup> / <sub>16</sub>
	mm	2686	797	422



**Drainage-** Flare Fireplaces Vent Free line are outdoor rated using Stainless Steel, corrosion resistant materials. However, care should be taken to ensure rain and other moisture cannot collect between unit and mounting platform. Plan for drainage to run outside of cavity away from other fixed buildings and objects.

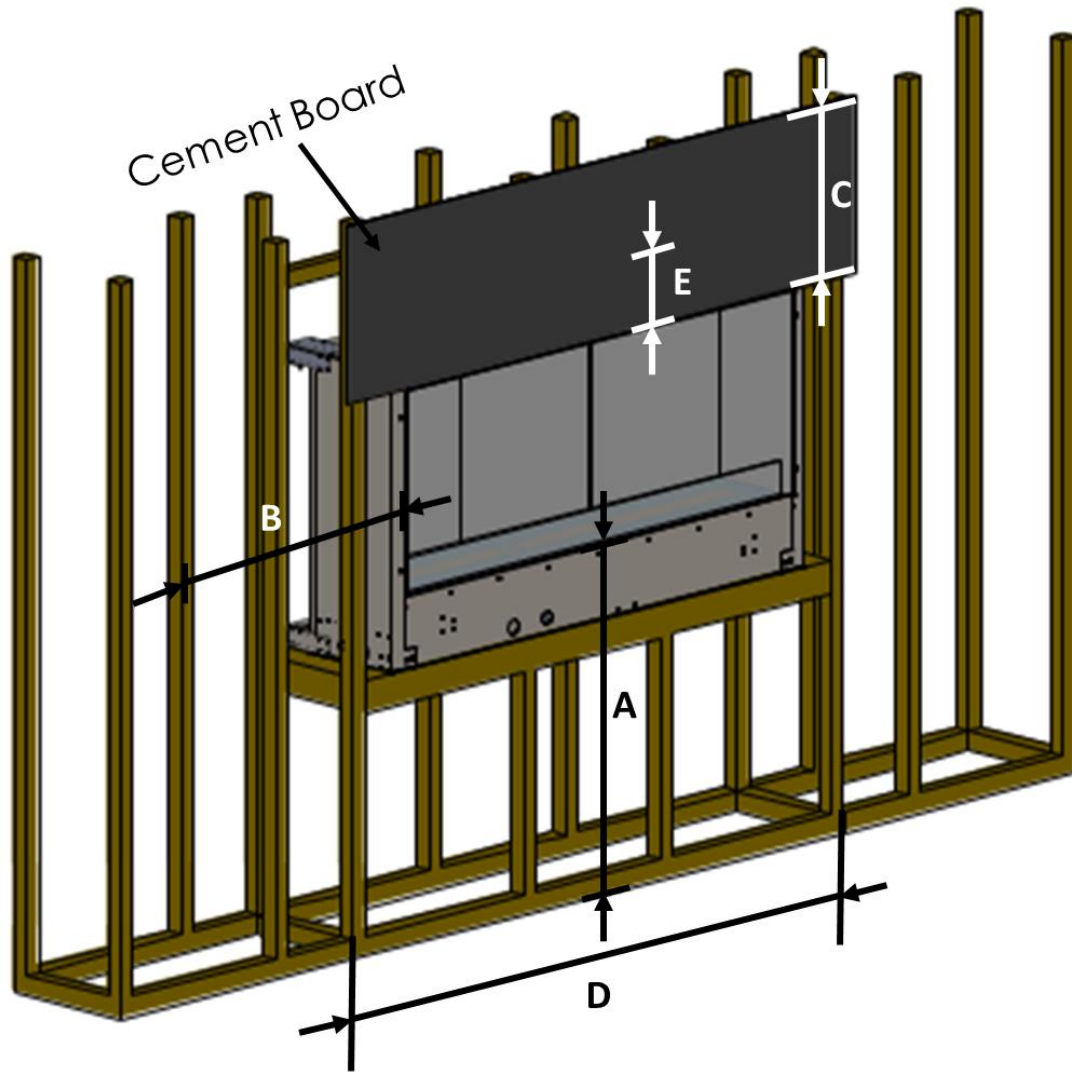
**Electrical Connection-** 110V AC (15 AMP dedicated recommended but not required) power source must be provided to run fireplace. Electrical connection needs to be provided to the right of the unit and utilize a Ground Fault Circuit Interrupter (GFCI/GFI) outlet required. Ensure switch is installed to control power to outlet for control over fireplace.

**Gas Supply-** Gas should be run into the right side of the unit. Flex pipe will be provided within unit, but hard piping should be done into fireplace box.

**Manual Gas Shut Off-** Required on all outdoor unit installations. Manual Gas Shut off must be visible (after finishing) and remain accessible in the event of an emergency. Consult city, state and other local codes to confirm additional requirements as needed.

**Clearance to Floor-** Flare Ventless line must maintain box opening at least 11" above any combustible flooring. For fireplaces which are considering being mounted lower, flooring must be non-combustible material (i.e. stone, tile, cement, etc.)

# Clearance from Combustible Finishing Materials



Index	Description	Dimension From Opening
A	From ground or another combustible surface	11"
B	From side-walls	6"
C	From ceiling (minimum)	36"
D	Alcove width (minimum)	Fireplace width plus 12"
E	Non-Combustible board above opening	8"

See Installation Manual for all clearances and requirements.

**Type-X not acceptable for use in Vent-Free applications.**