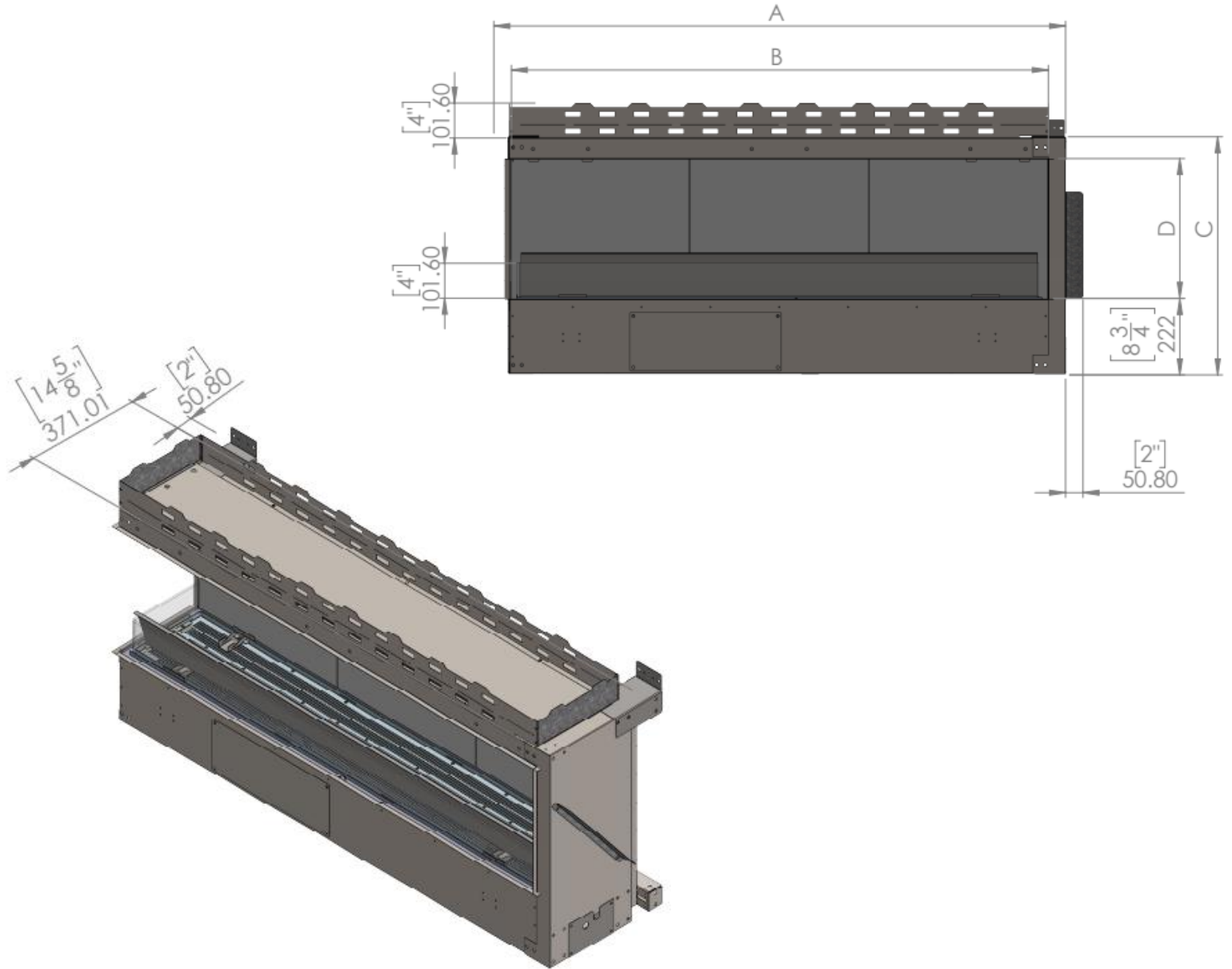
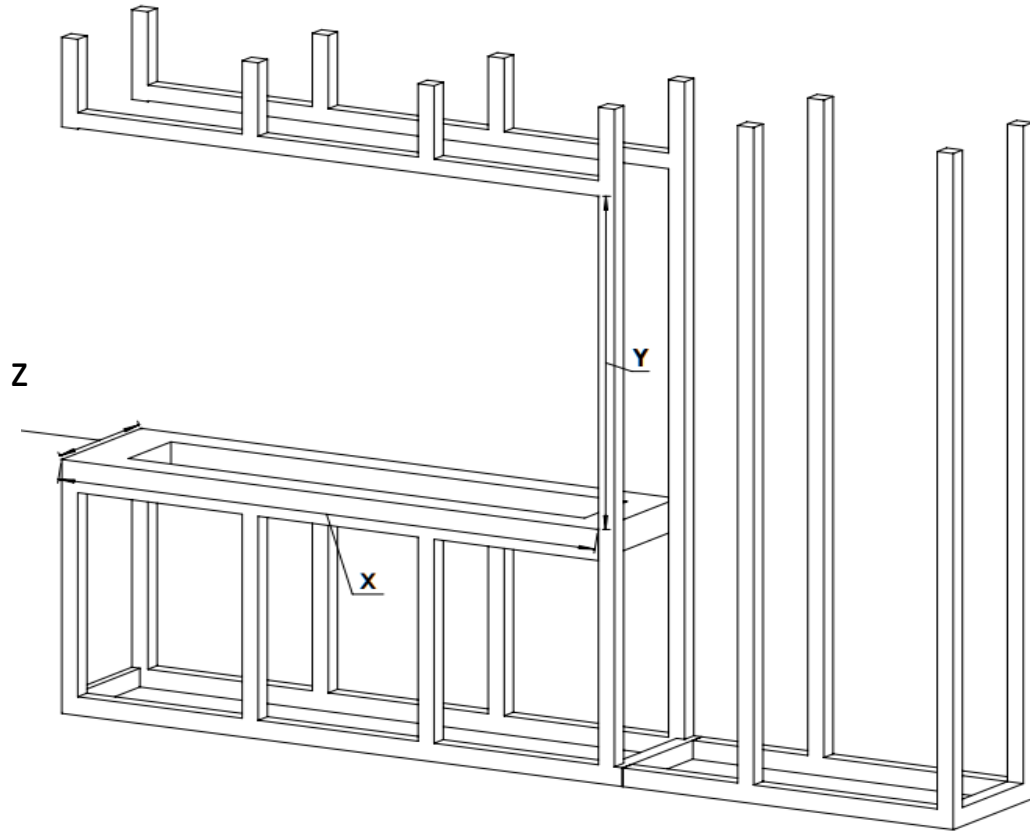


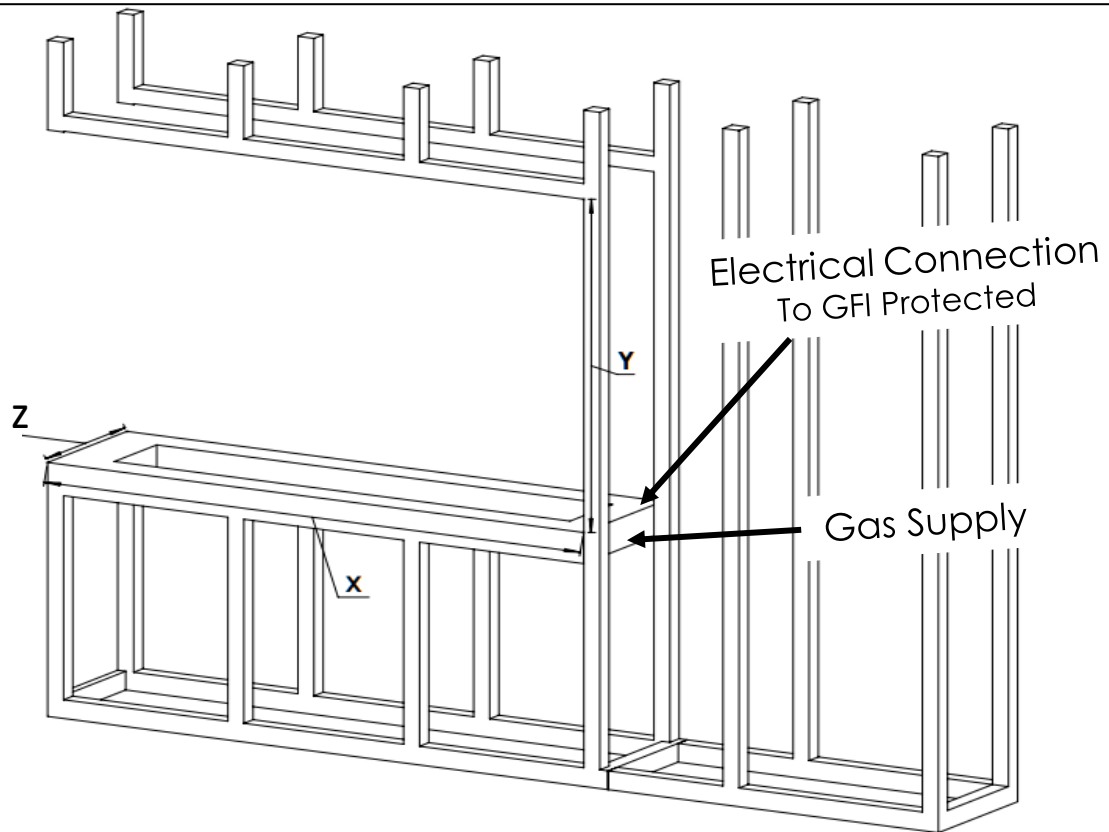
## Unit Dimensions



Model	50	60	70	80	100
A- Inch	55 <sup>8</sup> / <sub>16</sub>	64 <sup>2</sup> / <sub>16</sub>	72	82 <sup>4</sup> / <sub>16</sub>	100 <sup>6</sup> / <sub>16</sub>
B- Inch	52 <sup>14</sup> / <sub>16</sub>	61 <sup>9</sup> / <sub>16</sub>	69 <sup>7</sup> / <sub>16</sub>	79 <sup>11</sup> / <sub>16</sub>	97 <sup>13</sup> / <sub>16</sub>
C- Inch	35 <sup>4</sup> / <sub>16</sub>	35 <sup>4</sup> / <sub>16</sub>	35 <sup>4</sup> / <sub>16</sub>	35 <sup>4</sup> / <sub>16</sub>	35 <sup>4</sup> / <sub>16</sub>
D- Inch	24	24	24	24	24



		X	Y	Z
50	Inch	57 <sup>8</sup> / <sub>16</sub>	39 <sup>4</sup> / <sub>16</sub>	16 <sup>10</sup> / <sub>16</sub>
	mm	1461	997	422
60	Inch	66 <sup>2</sup> / <sub>16</sub>	39 <sup>4</sup> / <sub>16</sub>	16 <sup>10</sup> / <sub>16</sub>
	mm	1680	997	422
70	Inch	74	39 <sup>4</sup> / <sub>16</sub>	16 <sup>10</sup> / <sub>16</sub>
	mm	1880	997	422
80	Inch	84 <sup>4</sup> / <sub>16</sub>	39 <sup>4</sup> / <sub>16</sub>	16 <sup>10</sup> / <sub>16</sub>
	mm	2140	997	422
100	Inch	102 <sup>6</sup> / <sub>16</sub>	39 <sup>4</sup> / <sub>16</sub>	16 <sup>10</sup> / <sub>16</sub>
	mm	2600	997	422



**Drainage-** Flare Fireplaces Vent Free line are outdoor rated using Stainless Steel, corrosion resistant materials. However, care should be taken to ensure rain and other moisture cannot collect between unit and mounting platform. Plan for drainage to run outside of cavity away from other fixed buildings and objects.

**Electrical Connection-** 110V AC (15 AMP dedicated recommended but not required) power source must be provided to run fireplace. Electrical connection needs to be provided to the right of the unit and utilize a Ground Fault Circuit Interrupter (GFCI/GFI) outlet required. Ensure switch is installed to control power to outlet for control over fireplace.

**Gas Supply-** Gas should be run into the right side of the unit. Flex pipe will be provided within unit, but hard piping should be done into fireplace box.

**Manual Gas Shut Off-** Required on all outdoor unit installations. Manual Gas Shut off must be visible (after finishing) and remain accessible in the event of an emergency. Consult city, state and other local codes to confirm additional requirements as needed.

**Clearance to Floor-** Flare Ventless line must maintain box opening at least 11" above any combustible flooring. For fireplaces which are considering being mounted lower, flooring must be non-combustible material (i.e. stone, tile, cement, etc.)