

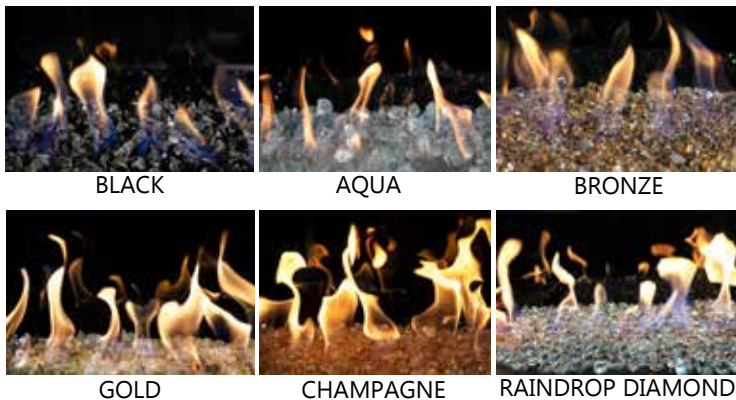


OUTSTANDING FEATURES

- Modern, Frameless, Linear, Outdoor Fireplace
- Front Facing, See Through, & Corner Options
- High Grade Stainless Steel Design
- 2 Opening Heights : 16" and 24"
- Electronic Ignition
- Tempered Glass Wind Guard
- Stainless Steel Storage Doors
- Amazing Multi-Colored LED System
- Natural Gas or Propane Options

MEDIA OPTIONS

*FOR ALL AVAILABLE MEDIA OPTIONS PLEASE VISIT FLAREFIREPLACES.COM



BLACK

AQUA

BRONZE

GOLD

CHAMPAGNE

RAINDROP DIAMONDS

FEATURES



RGB LEDS



STAINLESS STEEL LINEAR DESIGN



REFLECTIVE BACK



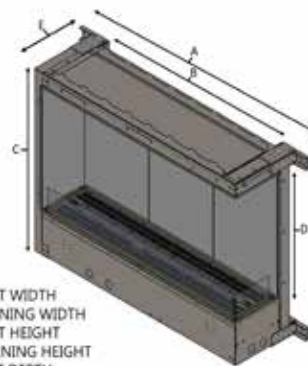
STORM DOORS



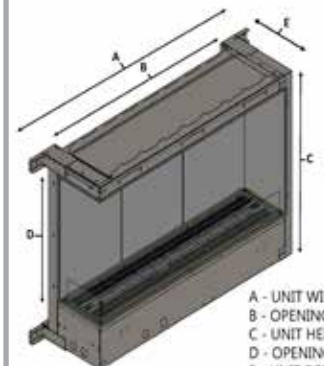
ADVANCED 3D BURNER

MODEL SIZE

MODEL NAME	A	B	C	D	E
Flare-VRC/LC-100	100 6/16"	97 13/16"	27 3/8"	16"	15 1/8"
Flare-VRC/LC-80	82 4/16"	79 11/16"	27 3/8"	16"	15 1/8"
Flare-VRC/LC-70	72"	69 7/16"	27 3/8"	16"	15 1/8"
Flare-VRC/LC-60	64 2/16"	61 9/16"	27 3/8"	16"	15 1/8"
Flare-VRC/LC-50	55 8/16"	52 14/16"	27 3/8"	16"	15 1/8"
Flare-VRC/LC-100-H	100 6/16"	97 13/16"	35 1/4"	24"	15 1/8"
Flare-VRC/LC-80-H	82 4/16"	79 11/16"	35 1/4"	24"	15 1/8"
Flare-VRC/LC-70-H	72"	69 7/16"	35 1/4"	24"	15 1/8"
Flare-VRC/LC-60-H	64 2/16"	61 9/16"	35 1/4"	24"	15 1/8"
Flare-VRC/LC-50-H	55 8/16"	52 14/16"	35 1/4"	24"	15 1/8"



A - UNIT WIDTH
B - OPENING WIDTH
C - UNIT HEIGHT
D - OPENING HEIGHT
E - UNIT DEPTH



A - UNIT WIDTH
B - OPENING WIDTH
C - UNIT HEIGHT
D - OPENING HEIGHT
E - UNIT DEPTH