



OUTSTANDING FEATURES

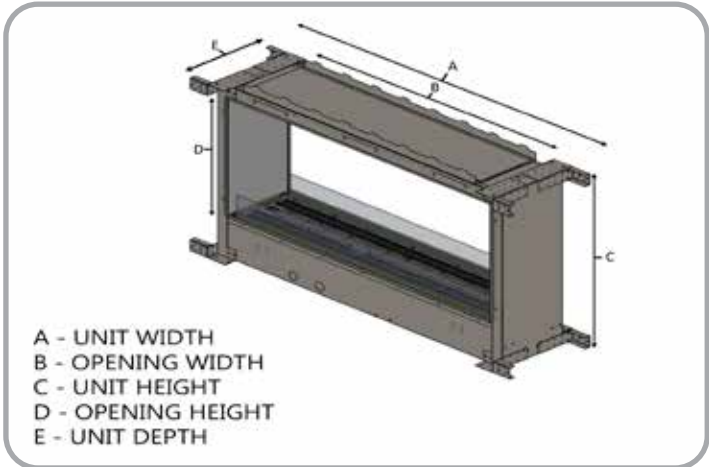
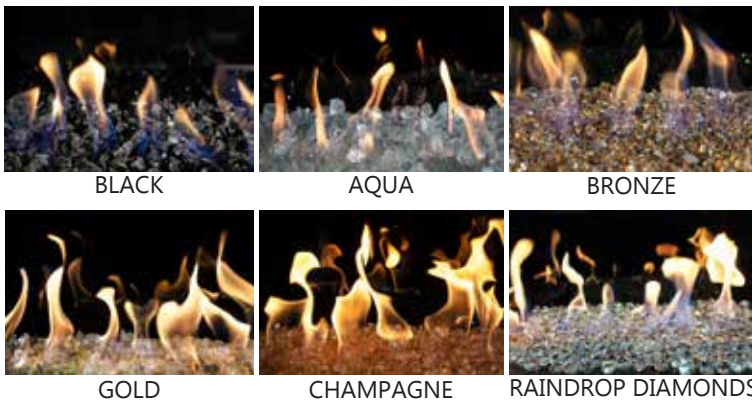
- Modern, Frameless, Linear, Outdoor Fireplace
- Front Facing, See Through, & Corner Options
- High Grade Stainless Steel Design
- 2 Opening Heights : 16" and 24"
- Electronic Ignition
- Tempered Glass Wind Guard
- Stainless Steel Storage Doors
- Amazing Multi-Colored LED System
- Natural Gas or Propane Options

MODEL SIZE

MODEL NAME	A	B	C	D	E
Flare-VST-100	101 3/4"	97 13/16"	27 3/8"	16"	13 1/8"
Flare-VST-80	83 5/8"	79 11/16"	27 3/8"	16"	13 1/8"
Flare-VST-70	73 3/8"	69 7/16"	27 3/8"	16"	13 1/8"
Flare-VST-60	65 1/2"	61 9/16"	27 3/8"	16"	13 1/8"
Flare-VST-50	56 13/16"	52 7/8"	27 3/8"	16"	13 1/8"
Flare-VST-100-H	101 3/4"	97 13/16"	35 1/4"	24"	13 1/8"
Flare-VST-80-H	83 5/8"	79 11/16"	35 1/4"	24"	13 1/8"
Flare-VST-70-H	73 3/8"	69 7/16"	35 1/4"	24"	13 1/8"
Flare-VST-60-H	65 1/2"	61 9/16"	35 1/4"	24"	13 1/8"
Flare-VST-50-H	56 13/16"	52 7/8"	35 1/4"	24"	13 1/8"

MEDIA OPTIONS

*FOR ALL AVAILABLE MEDIA OPTIONS PLEASE VISIT FLAREFIREPLACES.COM



FEATURES

